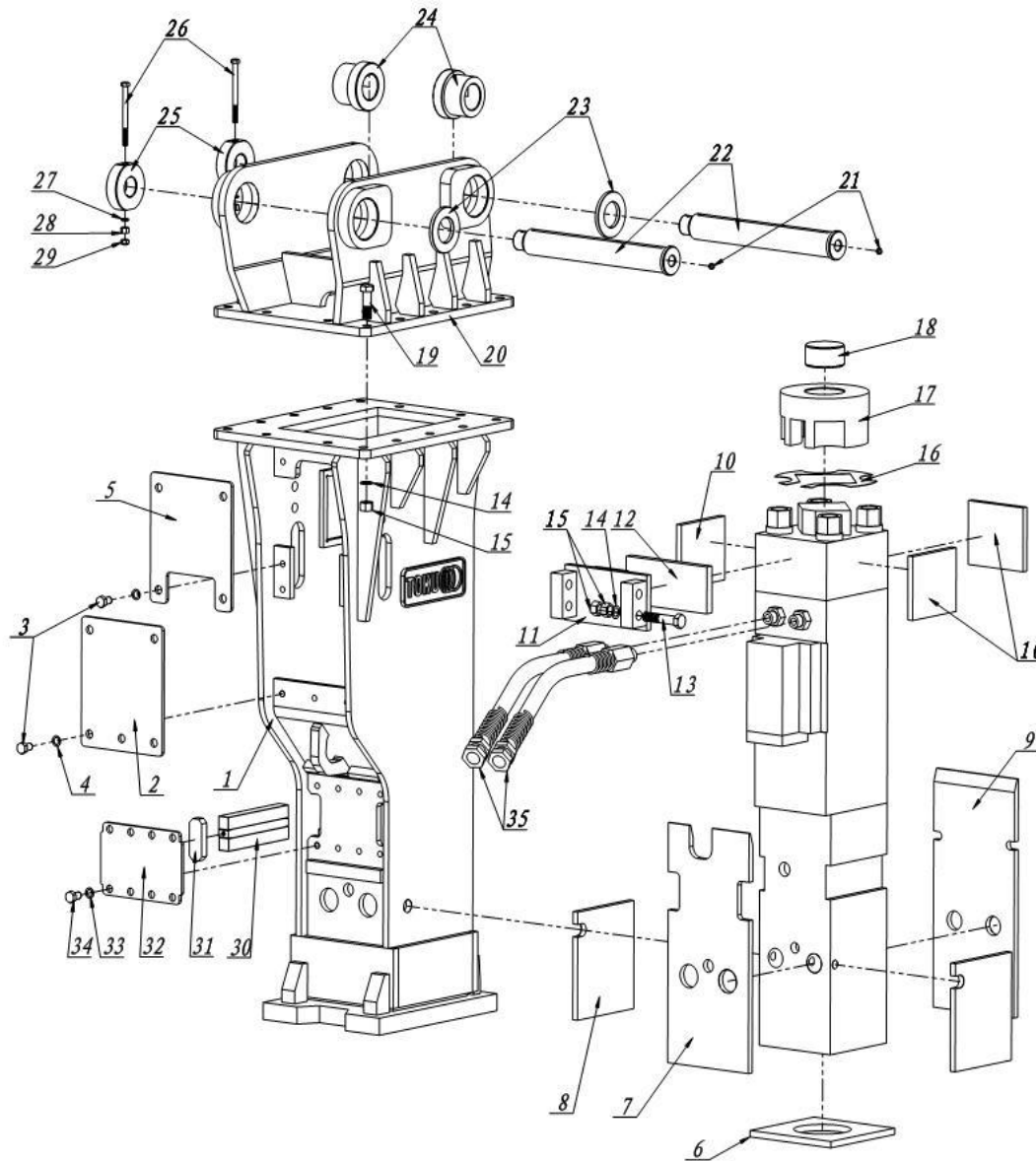


TNB-7E KEY TYPE BOX BRACKET



NO.	DESCRIPTION	PART CODE.	QUANTITY
1	KEY TYPE BOX BRACKET A	BKT-7E	1
2	CONTROL VALVE PLATE	7EE002	1
3	H.T BOLT [M16x30]	BLT-M16-30	9
4	SPRING WASHER [M16]	WASHER-M16	9
5	GAS VALVE COVER PLATE	7EE005	1
6	UNDER SPACER	7EE006	1
7	CHISEL HOLDER SPACER	7EE007	1
8	SIDE SPACER	7EE008	2
9	BACK SPACER	7EE009	1
10	SMALL SPACER	7EE010	3
11	GUIDE PLATE	7EE011	1
12	GUIDE SPCKER	7EE012	1
13	H.T BOLT [M20x100]	BLT-M20-100	4
14	SPRING WASHER [M20]	WASHER-M20	16
15	H.T NUT [M20]	NUT-M20	22
16	ADJUST MAT	7EE016	1
17	ISOLATOR TOP COVER	7EE017	1
18	NYLON POLE	7EE018	1
19	H.T BOLT [M20x70]	BLT-M20-70	14
20	TOP CAP	PER MACHINE MODEL	1
21	GREASE NIPPLE	N/A	2
22	BRACKET PIN	PER MACHINE MODEL	2
23	BRACKET PIN STOPPER	UPON REQUEST	2
24	BRACKET BUSH	PER MACHINE MODEL	4
25	BRACKET RING	UPON REQUEST	2
26	H.T BOLT [M16x160]	UPON REQUEST	2
27	SPRING WASHER [M16]	UPON REQUEST	2
28	H.T NUT [M16]	UPON REQUEST	2
29	U NUT [M160]	UPON REQUEST	4
30	ASSEMBLED LOCALIZER	7EE030	2 SETS
31	RUBBER PLATE	7EE031	2
32	COVER PLATE	7EE032	1
33	SPRING WASHER [M16]	WASHER-M16	8
34	H.T BOLT [M16x25]	BLT-M16-25	8
35	HOSE	SGH-2119	2