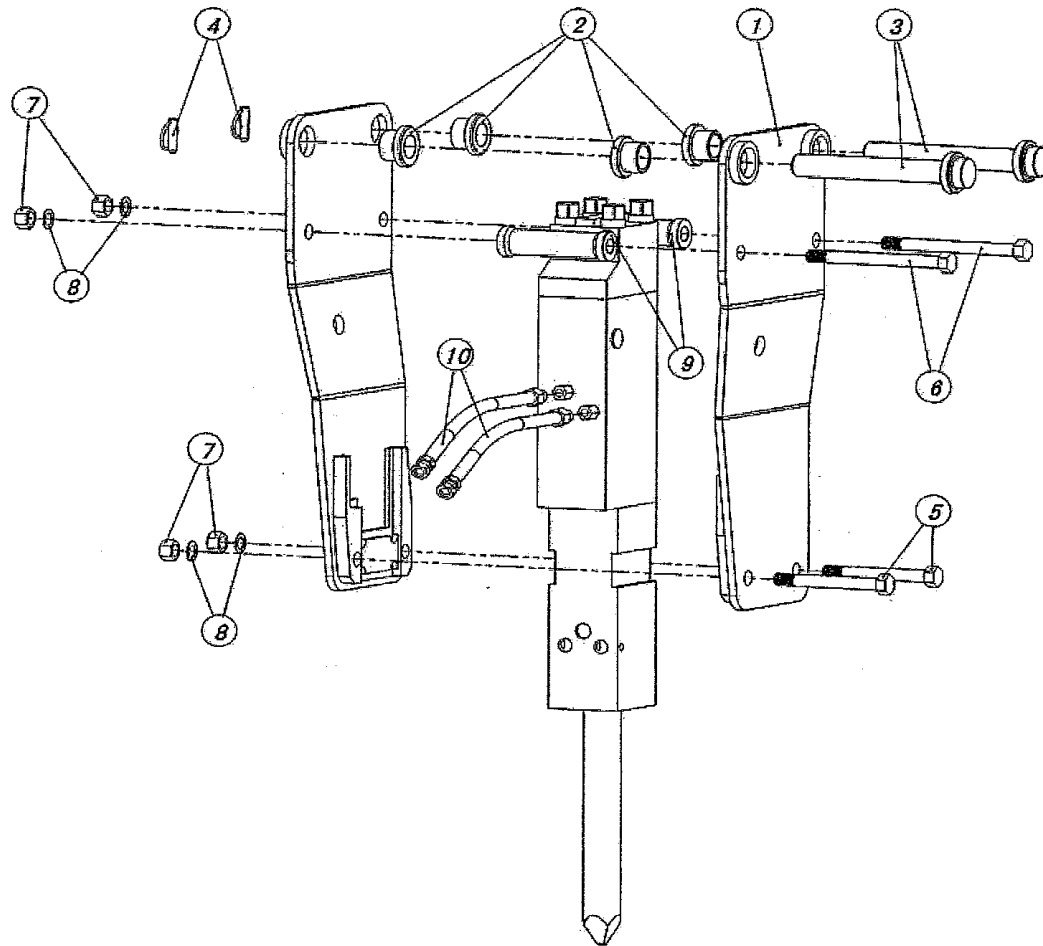


# TNB-08 MX



## Parts

2018.09.11

No.2

Sym	Part Code	Description	Q'ty	Int	Kit
1	BKT-08M-BD	Side Plates	1 set		
2	Per Machine	Bushings	4		
3	Per Machine	Pins	2		
4	000-B-63-03	Lynch Pins	4		
5	BLT-M16-140	Bracket Bolts(S)	4	○	
	BLT-M16-150	Bracket Bolts(S)	4		
6	BLT-M16-200	Bracket Bolts(L)	2		
7	NUT-M16	Nut	6		
8	WASHER-M16	Washer	6		
9	SPACER-32-157	Spacer	2		
10	SGH-2725	Hose Coupler	1		
	SGH-2726	Hose Nipple	1		
	415163410	Moil Point	1		

For Decal and/or Tool Box information, please contact your Dealer

INT(interchangeability)

○ Interchangeable old ↔ new

△ Interchangeable old → new

▲ Interchangeable old ← new

x Not interchangeable