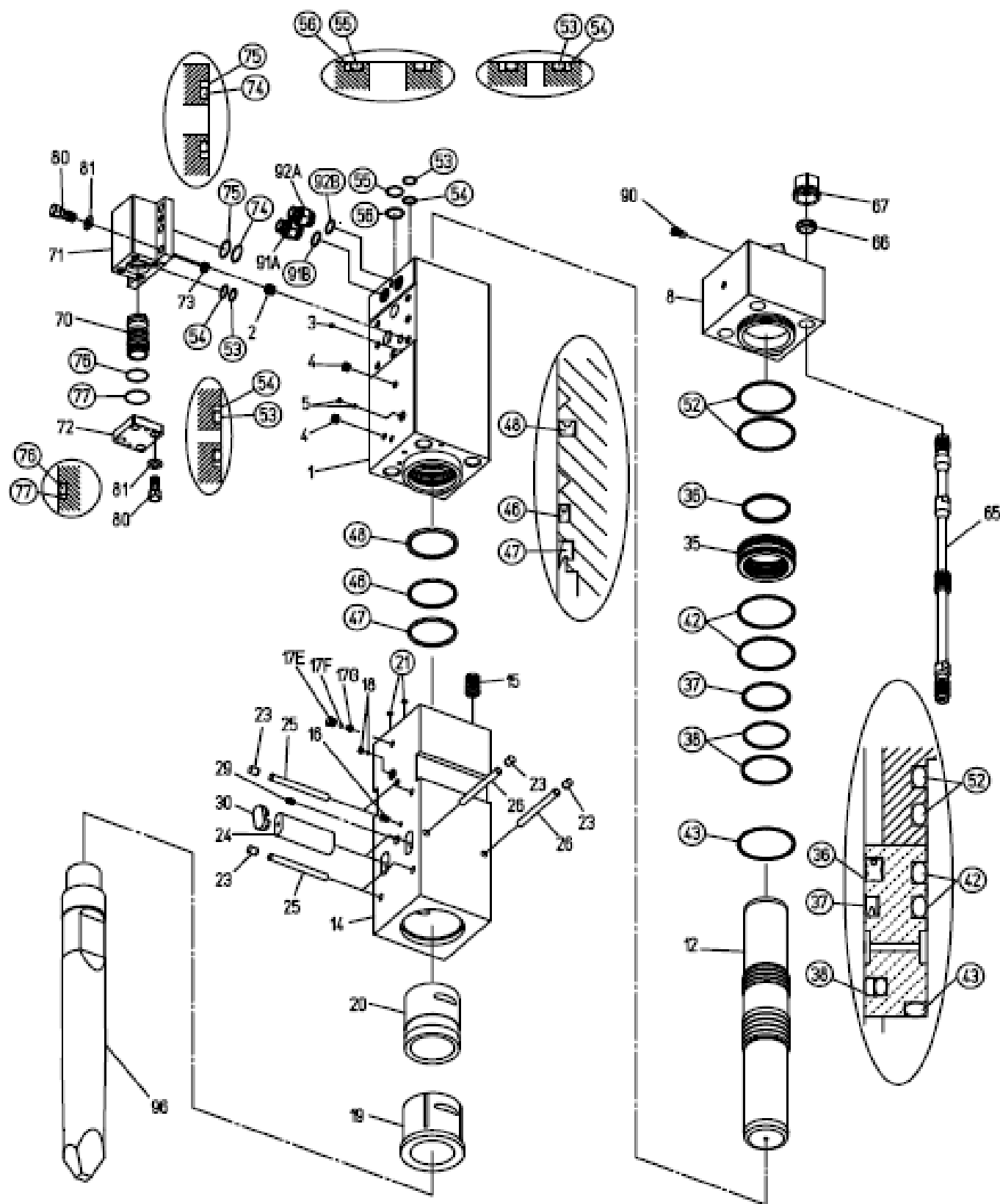


# TNB-100



Number	Part #	Description	Weight	QTY	List Price
--------	--------	-------------	--------	-----	------------

	41518201G				
	41518201C				
1	415182017	Cylinder		1	
	415182016	Cylinder			
2	131024010	Helisert	0.0308	6	\$12.94 EA
3	134903001	Hex Plug	0.0022	2	\$2.60 EA
4	134901104	Hex Plug	0.0484	2	\$5.17 EA
	134901104	Hex Plug	0.0484	2	\$5.17 EA
5	134912002	Hex Socket Flange Plug	0.0308	1	\$15.53
8	415135030	Cylinder Cover	99.44	1	\$9,123.53
12	415135040	Piston	158.4	1	\$1,656.47
	41518205H	Chisel Holder CP		1 CP	
	41518205D	Chisel Holder CP		1 CP	
14	415182058	Chisel Holder		1	\$12,514.13
	415182057	Chisel Holder			
15	131036015	Helisert	0.1738	4	\$46.60EA
16	134901101	GM Plug	0.0066	1	\$2.60
17E	415143660	Air Cap	0.1034	1	\$28.47
17F	130505028	Ball		1	
17G	130806014	Air Cap Spring			
18	182136006	O-Ring Plug	0.0616	1	*****
19	415132060	Chisel Bush	25.74	1	\$670.36
20	415133140	Chisel Holder Bushing	16.72	1	\$973.17
21	131101010	O-Ring	0.0022	1	*****
23	136402011	Retain Pin Stop plug	0.022	6	\$12.94 EA
24	415182100	Retainer Pin	6.292	2	\$220.00 EA
25	415133250	Stopper Pin	0.88	4	\$18.13 EA
26	415182270	Stopper pin B	0.066	2	\$23.30 EA
29	135013002	Grease Nipple	0.0308	1	\$2.60
30	136402039	Retainer Pin Plug	0.1232	2	\$51.77 EA
35	415135130	Packing Bushing	5.5	1	\$1,071.53
36	131220100	Gas Seal	0.044	1	*****
37	131225100	Oil Seal	0.0264	1	*****
38	131230100	Slide Ring S	0.066	1	*****
39	131118354	O-Ring	0.02772	0	*****
42	131101080	O-Ring	0.033	2	*****
43	131108080	O-Ring	0.033	1	*****
46	131225101	Oil Seal	0.0286	1	*****
47	131219100	Dust Seal	0.0418	1	*****
48	131227101	Buffer Ring	0.0352	1	*****
52	131101080	O-Ring	0.033	2	*****
53	131101034	O-Ring	0.0022	3	*****
54	131121034	Back Up Ring	0.0022	3	*****
55	131101045	O-Ring	0.0044	1	*****
56	131121045	Back Up Ring	0.0044	1	*****
65	415135160	Side Bolt	10.736	4	\$364.94 EA
<b>Number</b>	<b>Part #</b>	<b>Description</b>	<b>Weight</b>	<b>QTY</b>	<b>List Price</b>
66	136306001	Side Bolt Ring	0.0198	4	\$12.94 EA

67	134206020	Side Bolt Nut	1.672	4	\$85.40 EA
70	415147200	Control Valve	1.87	1	\$191.53
71	415147210	Control Valve Box	45.1	1	\$3,589.87
72	415147220	Control Valve Cap	5.94	1	\$597.87
73	415135230	Choke Plug	0.0462	1	\$7.70
74	131101049	O-Ring	0.0044	2	*****
75	131121049	Back Up Ring	0.0044	2	*****
76	131102010	O-Ring	0.0044	1	*****
77	131122010	Back Up Ring	0.0022	1	*****
80	131506010	Hex Bolt	0.682	10	\$28.47 EA
81	131313124	Conical Spring Washer	0.0242	10	\$7.77 EA
90	41514130E	Gas Valve CP	0.1408	1	\$98.36
91A	415127350	Hose Adapter In		1	
91B	131108028	O-Ring			
92A	415135480	Hose Adapter Out		1	
92B	131108028	O-Ring		1	
96	415180430	Chisel Tool	148	1	\$1,350.00
97	415180410	Moil Tool	145.5	1	\$1,350.00
98	415180420	Blunt Tool	154	1	\$1,350.00

\*\*\*\*\* = Items  
Included in Seal Kit  
41518280H