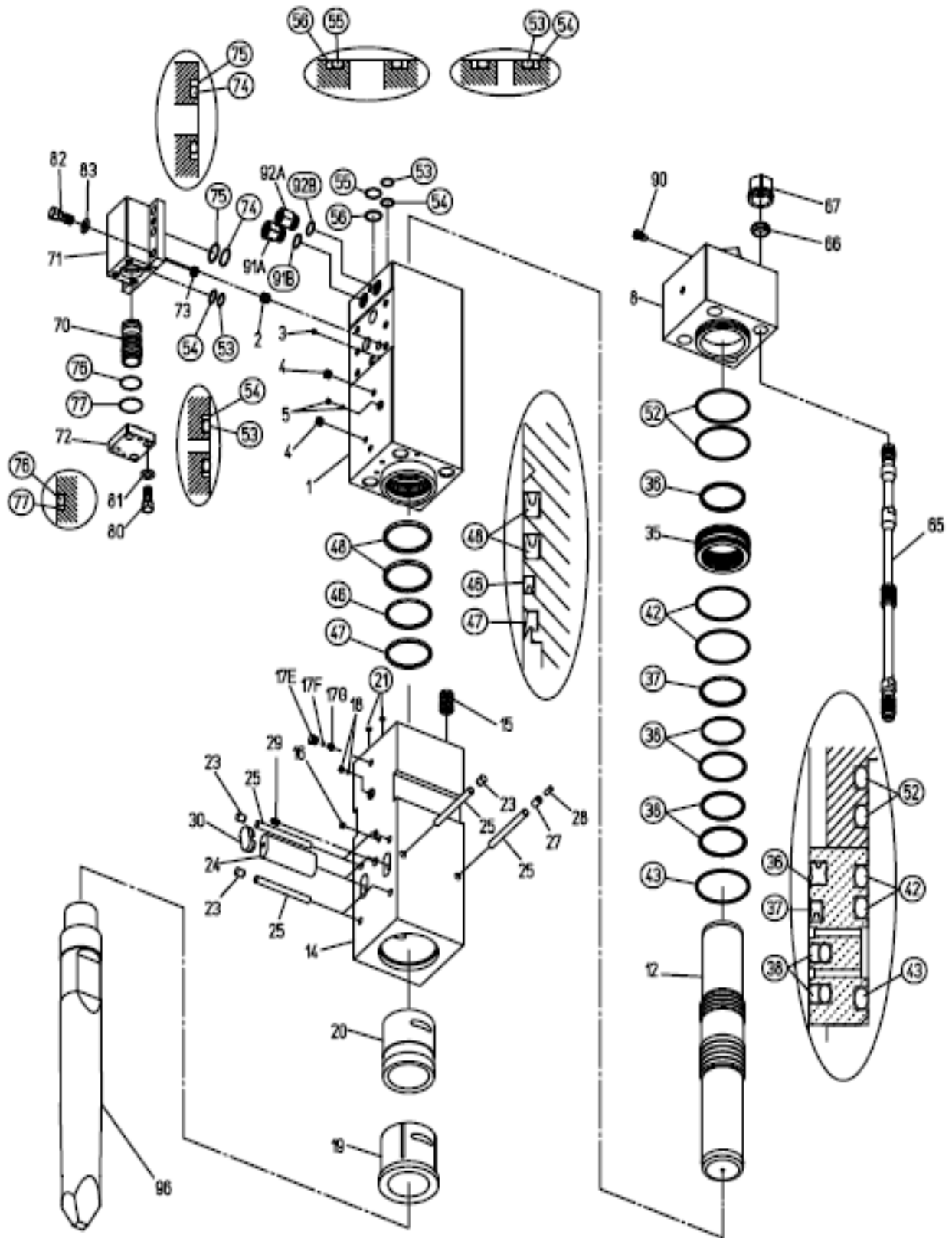


TNB-230LU1



Parts & Price List for TNB-230LU1 Hydraulic Breaker

<u>Model Code</u>	<u>NO.</u>	<u>Part Code</u>	<u>Description</u>	<u>Quantity</u>	<u>Weight</u>	<u>List Price</u>
515679		41560701C	Cylinder CP	1		
515679	1	415607010	Cylinder CP	1		\$38,504.91
515679	2	131030013	Helisert	6	0.0682	\$33.64
515679	3	134912002	Hex Socket Flange plug	2	0.0308	\$15.53
515679	4	415143660	Air Cap	1		23.00
515679	5	130505028	Ball	1		1.74
515679	6	130806014	Air Cap Spring	1		1.17
515679	8	415156030	Cylinder Cover	1	259.6	\$14,360.21
515679	10	415191040	Piston	1	347.97	\$5,689.10
515679		41560705C	Chisel Holder CP	1		
515679	12	415607050	Chisel Holder	1		24065.58
515679	13	134901104	Plug	1	0.0484	\$4.62
515679	14	131052074	Helisert	4	0.396	\$74.68
515679	15	134901102	Plug	4	0.0484	\$2.71
515679	16	182136006	O-Ring Plug	1	0.0616	21.44
515679	17	415607060	Chisel Bushing	1		1640.22
515679	18	415153140	Chisel Holder Bushing	1	32.956	\$2,182.77
515679	19	136402011	Retainer Pin Stopper Plug	4	0.022	\$11.51
515679	20	415192250	Stopper Pin	5	1.32	\$23.64
515679	21	130620030	Spring Pin	1	0.0968	\$37.13
515679	22	130613030	Spring Pin	1	0.0396	\$1.66
515679	23	135013002	Grease Nipple	1	0.0308	\$2.20
515679	24	415192100	Retainer Pin	2	16.104	\$329.80
515679	25	136402011	Retainer Pin Stopper Plug	1	0.022	\$11.51
515679	26	415192250	Stopper Pin	1	1.32	\$23.64
515679	27	136402042	Retainer Pin Plug	4		109.93
515679	29	415607130	Packing Biushing	1		2635.14
515679	31	415191160	Side Bolt	4	24.2	\$851.99
515679	32	136306022	Side Bolt Ring	4	0.0638	\$19.56
515679	33	134206022	Side Bolt Nut	4	4.488	\$172.31
515679	35	415156200	Control Valve	1	3.3	\$206.82
515679	36	415679210	Control Valve Box	1	91.96	\$4,356.00
515679	37	415156220	Control Valve Cap	1	9.9	\$631.84
515679	38	415191230	Choke Plug	1	0.0836	\$8.24
515679	39	134912002	Hex Socket Flange Plug	2	0.0308	\$12.39
515679	40	131506022	Hex Bolt	4		29.53
515679	41	131313130	Washer	4	0.055	\$8.73
515679	42	131506023	Hex Bolt	1		29.9
515679	43	131313130	Washer	1	0.055	8.73
		41560780E	Seal Kit	1		1038.82
		41560780D	Seal Kit	1		1105.5
515679	45	131101013	O-Ring	2		1.13
515679	46	131220220	Gas Seal	1		90.1
<u>Model Code</u>	<u>NO.</u>	<u>Part Code</u>	<u>Description</u>	<u>Quantity</u>	<u>Weight</u>	<u>List Price</u>
515679	47	131225220	Oil Seal	1		76.41

515679	48	131230220	Slide Ring S	2		89.3
515694	49	131102033	O-Ring	2	0.044	5.5
515694	50	131102133	O-Ring	1	0.0462	5.82
515694	51	131122033	Back- Up Ring	1		51.09
515694	52	131233237	X-Seal	1		142.54
515694	53	131219220	Dust Seal	1	0.0616	*****
515694		131219237	Dust Seal	1		121
515694	54	131225237	Oil Seal	2		177.49
515694	55	131102033	O-Ring	2		5.5
515694	56	131101036	O-Ring	2		2.64
515694	57	131121036	Back Up Ring	3	0.0022	4.86
515694	58	131101055	O-Ring	1		1.17
515694	59	131121055	Back Up Ring	1	0.011	7.14
515694	60	131101057	O-Ring	2		2.08
515694	61	131121057	Back Up Ring	2	0.0088	8.14
515694	62	131102013	O-Ring	1	0.0044	1.22
515694	63	131122013	Back Up Ring	1		4.38
515694	64	131108023	O-Ring	1		1.39
515694	65	131108038	O-Ring	1		1.5
515694	66	131108038	O-Ring	1		1.5
515694		41514130E	Gas Valve CP	1	0.1408	\$98.36
515694	68	41514132A	Gas Valve Plug CP	1		20.63
515694	68B	131101004	O-Ring	1		
515694	70	41514130G	Gas Valve Body CP	1		75.24
515694	70C	131101015	O-Ring	1		
515694	72	182092220	Hose Adapter In (1-5/16-12UNF)	1		85.02
515694	73	182092221	Hose Adapter Out (1-5/16-12UNF)	1		80.45
515694	81	415192412	Point chisel (P) 146X1500L	1		
515694	82	415192422	End Chisel € 146X1500L	0		
515694	83	415192432	Flat Chisel (F) 146X1500L	0		
515694	84	415182C6K	Core chisel (PC) 146X1500L	0		