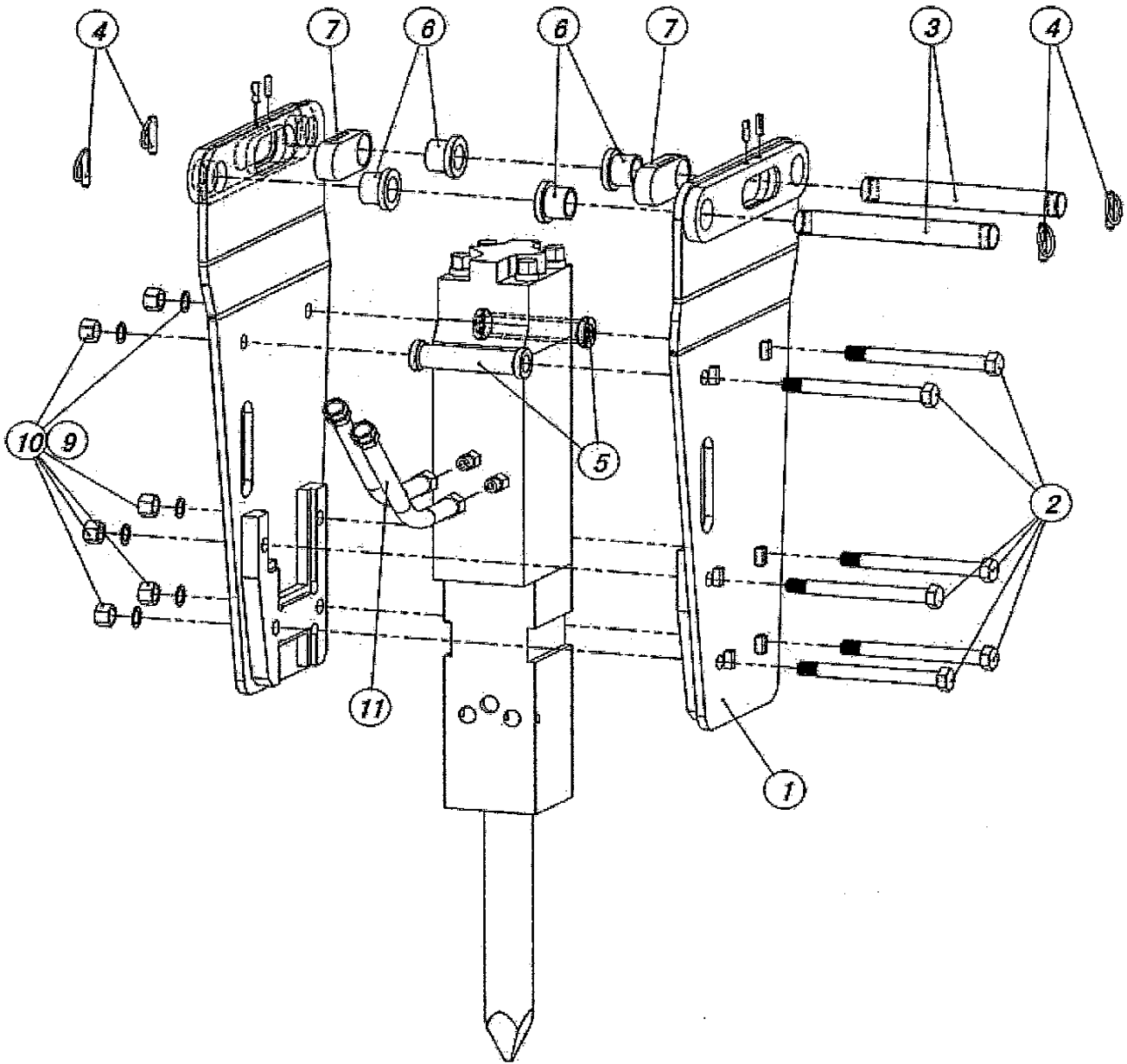


# TNB-3MB MX



Item	Description	Part Number	Q'ty
1	Side Plates	BKT-3MB-BD	1 set
2	Bracket Bolts	BLT-M22-220	6
3	Pins	Per Machine Model	2
4	Lynch Pin	PIN-CLIP	4
5	Spacer	SPACER-22-165	2
6	Bushings	Per Machine Model	4
7	Oval Insert	Per Machine Model	2
9	Washer	WASHER-M22	6
10	Nut	NUT-M22	6
11	Hose Coupler	SHG-2095	1
	Hose Nipple	SGH-2094	1
	Moil Point	415635410	1

**For Decal and/or Tool Box please contact Your Dealer**