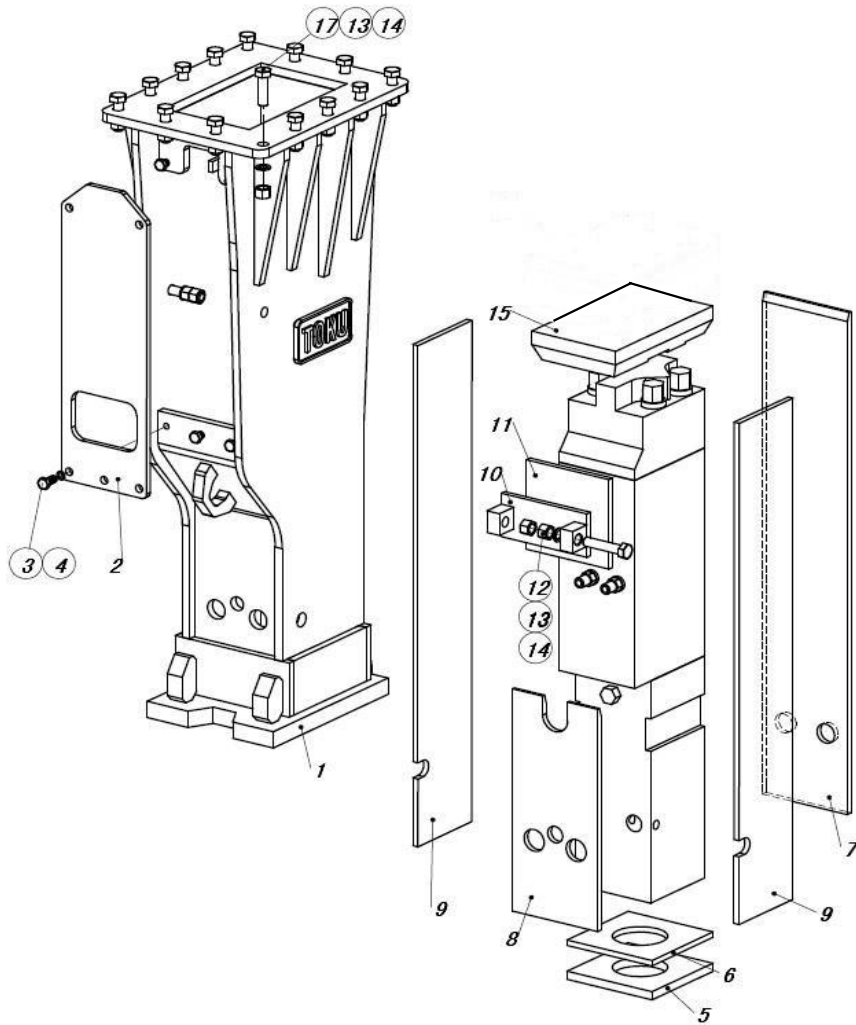


TNB-5M-BX



NO.	DESCRIPTION	PART CODE	QUANTITY
1	Box Bracket	BKT-5M-BX	1 Set
2	Control valve plate	5M002	1
3	Hex Bolt	BLT-M12-25	5
4	Washer	WASHER-M12	5
5	Under Spacer A	5M008	1
6	Under Spacer B	5M009	1
7	Back spacer	5M010	1
8	Chisel Holder spacer	5M008	1
9	Side Spacer (L,R)	5M009	2
10	Guide Plate	5M010	1
11	Guide Spacer	5M011	1
12	Hex Bolt	BLT-M16-70	2
13	Washer	WASHER-M16	16
14	H.T. Nut	NUT-M16	18
15	Top Cover A	5M015	1
17	Hex Bolt	BLT-M16-55	14