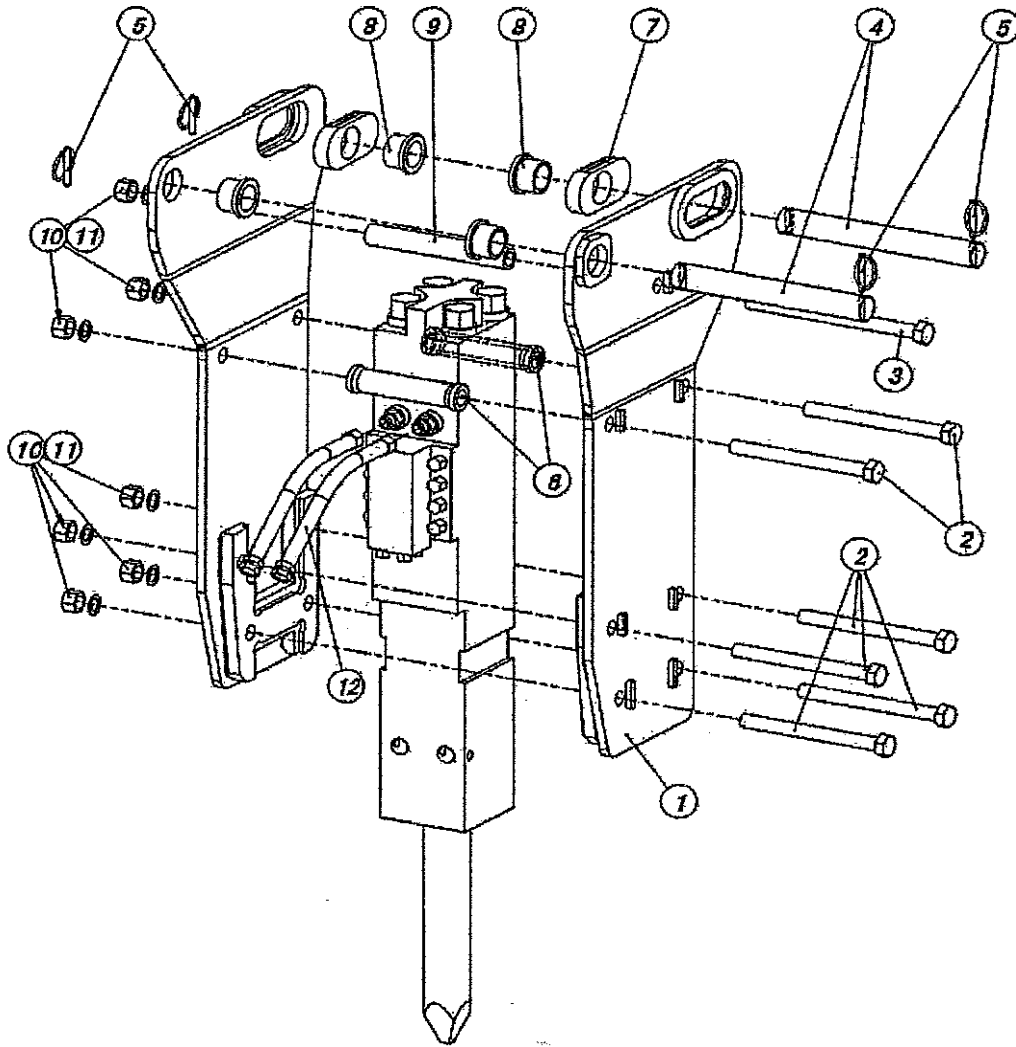


TNB-5M-TLBQC



NO.	DESCRIPTION	PART CODE	QUANTITY
1	Side Plates	BKT-5M-TLBQC-BD	1 set
2	Bracket Bolts(S)	BLT-M24-260	6
3	Bracket Bolts(L)	BLT-M24-330	1
4	Pins	Per Machine Model	2
5	Lynch Pin	PIN-CLIP	4
6	Spacer(S)	SPACER-24-200	2
7	Oval Insert	Per Machine Model	2
	Round Insert	Per Machine Model	2
8	Bushing	Per Machine Model	4
9	Spacer(L)	SPACER-24-257	1
10	Nut	NUT-M24	7
11	Washer	WASHER-M24	7
12	Male Hose	SHG-2079	1
	Female Hose	SGH-2090	1
	Moil Point	415118410	1

For Decal and/or Tool Box please contact Your Dealer