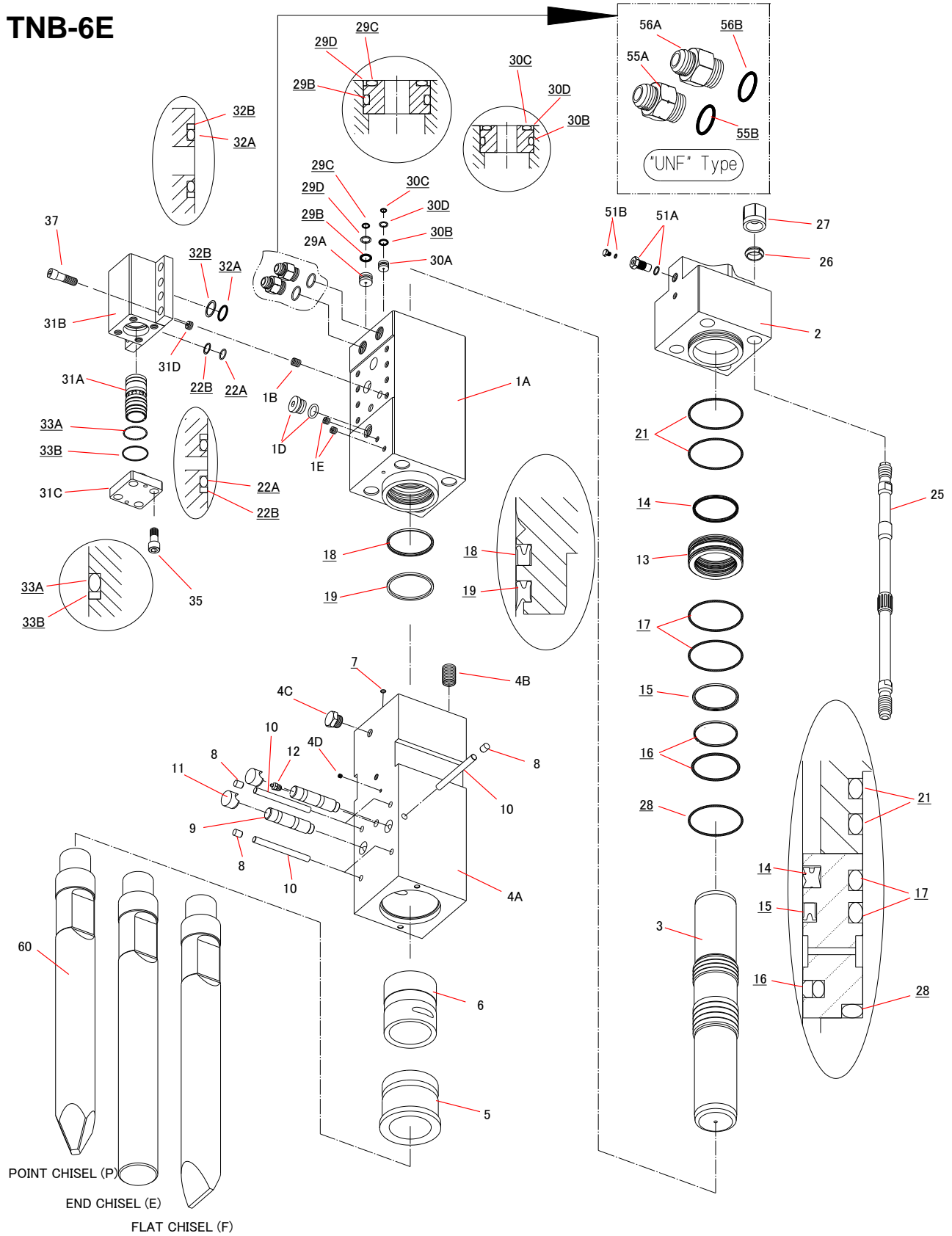


TNB-6E



TNB-6E

2017.04.28

No.6

Sym	Part Code	Description	Q'ty	Ser.No.	Int	Remarks	Kit	Sym	Part Code	Description	Q'ty	Ser.No.	Int	Remarks	Kit
	41512701G	Cylinder CP	1CP	10055~	o			30C	131101015	O-Ring	1	6400~			S
	41512701C	Cylinder CP	1CP	6400~10054				30D	131121015	Back Up Ring	1	6400~			S
1A	415127013	Cylinder	1	10055~	x		C	31A	415127200	Control Valve	1	6400~			
	415127012	Cylinder	1	6400~10054			C	31B	415127211	Control Valve Box	1	6400~			
1B	131019013	Helisert	8	6400~			C	31C	415127220	Control Valve Cap	1	6400~			
1D	134912008	Hex Socket Flange Plug	1	10055~	x		C	31D	415127230	Choke Plug	1	6400~			
	134901108	Hex Plug	1	6400~10054			C	32A	131101045	O-Ring	2	6400~			S
1E	134901102	Hex Plug	2	6400~			C	32B	131121045	Back Up Ring	2	6400~			S
2	415127030	Cylinder Cover	1	6400~				33A	131102007	O-Ring	1	6400~			S
3	415127040	Piston	1	6400~				33B	131123007	Back Up Ring	1	6400~			S
	41512705D	Chisel Holder CP	1CP	6400~				35	131719040	Hex Socket Head Cap Screw	4	11320~		▲	
4A	415127051	Chisel Holder	1	6400~			H		131506007	Hex Bolt	4	6400~11319			
4B	131027015	Helisert	4	6400~			H	36	131313120	Washer	0	11320~			
4C	182135015	Plug	1	6400~			H		131313120	Washer	4	6400~11319			
4D	134901102	Hex Plug	1	6400~			H	37	131719065	Hex Socket Head Cap Screw	8	11320~		▲	
5	415127060	Chisel Bushing	1	6400~			H		131506006	Hex Bolt	8	6400~11319			
6	415123140	Chisel Holder Bushing	1	6400~			H	38	131313120	Washer	0	11320~			
7	131101010	O-Ring	1	6400~			S		131313120	Washer	8	6400~11319			
8	136402012	Plug	5	6400~			H	51	41514130K	Gas Valve CP	1CP	11443~		▲	
9	415123100	Retainer Pin	2	6400~					41514130J	Gas Valve CP	1CP	10198~11442		▲	
10	415121110	Stopper Pin	5	6400~			H		41514130E	Gas Valve CP	1CP	6400~10197			
11	136402036	Retainer Pin Plug	2	6400~				51A	41514130L	Gas Valve Body CP	1CP	11443~		▲	G
12	135013001	Grease Nipple	1	6400~			H		41514130G	Gas Valve Body CP	1CP	6400~11442			G
13	415127130	Packing Bushing	1	6400~				51B	41514132E	Gas Valve Plug CP	1CP	10198~			G
14	131220060	Gas Seal	1	6400~			S	55A	182092060	Hose Adapter IN "UNF"	1	6400~		1-1/16-12UNF	
15	131225060	Oil Seal	1	6400~			S	55B	131108028	O-Ring	1	6400~			S
16	131230060	Slide Ring S	1	6400~			S	56A	182092061	Hose Adapter OUT "UNF"	1	6400~		1-1/16-12UNF	
17	131102018	O-Ring	2	6400~			S	56B	131108028	O-Ring	1	6400~			S
18	131225062	Oil Seal	1	11549~	▲		S	60	415121410	Point Chisel (P)	1	6400~		L=900	
	131225061	Oil Seal	1	6400~11548			S	61	415121420	End Chisel (E)		6400~		L=900	
19	131219063	Dust Seal	1	11549~	▲		S	62	415121430	Flat Chisel (F)		6400~		L=900	
	131219060	Dust Seal	1	6400~11548			S		41512780K	Seal Kit	1Set	11549~		▲	
21	131102018	O-Ring	2	6400~			S		41512780H	Seal Kit	1Set	6400~11548			
22A	131101027	O-Ring	2	6400~			S								
22B	131121027	Back Up Ring	2	6400~			S								
25	415127160	Side Bolt	4	6400~											
26	136306003	Side Bolt Ring	4	6400~											
27	134206006	Side Bolt Nut	4	6400~											
28	131102118	O-Ring	1	6400~			S								
29A	415127290	Cylinder Plug	1	6400~											
29B	131108022	O-Ring	1	6400~			S								
29C	131101020	O-Ring	1	6400~			S								
29D	131121020	Back Up Ring	1	6400~			S								
30A	415127300	Cylinder Plug	1	6400~											
30B	131108016	O-Ring	1	6400~			S								

Seal Kit consists of the parts marked "S".
(Individual seal NOT sold separately)

Cylinder CP consists of the parts marked "C".

Chisel Holder CP consists of the parts marked "H".
Quantity of the item #8 & 10 required for this CP is 4.

Gas Valve CP consists of the parts marked "G"

O-RING is included to #55A & #56A UNF type HOSE ADAPTER.
(UNF type HOSE ADAPTER is not supplied as bare condition. O-ring always comes together.)

INT(interchangeability)

- o Interchangeable old ↔ new
- △ Interchangeable old → new
- ▲ Interchangeable old ← new
- x Not interchangeable