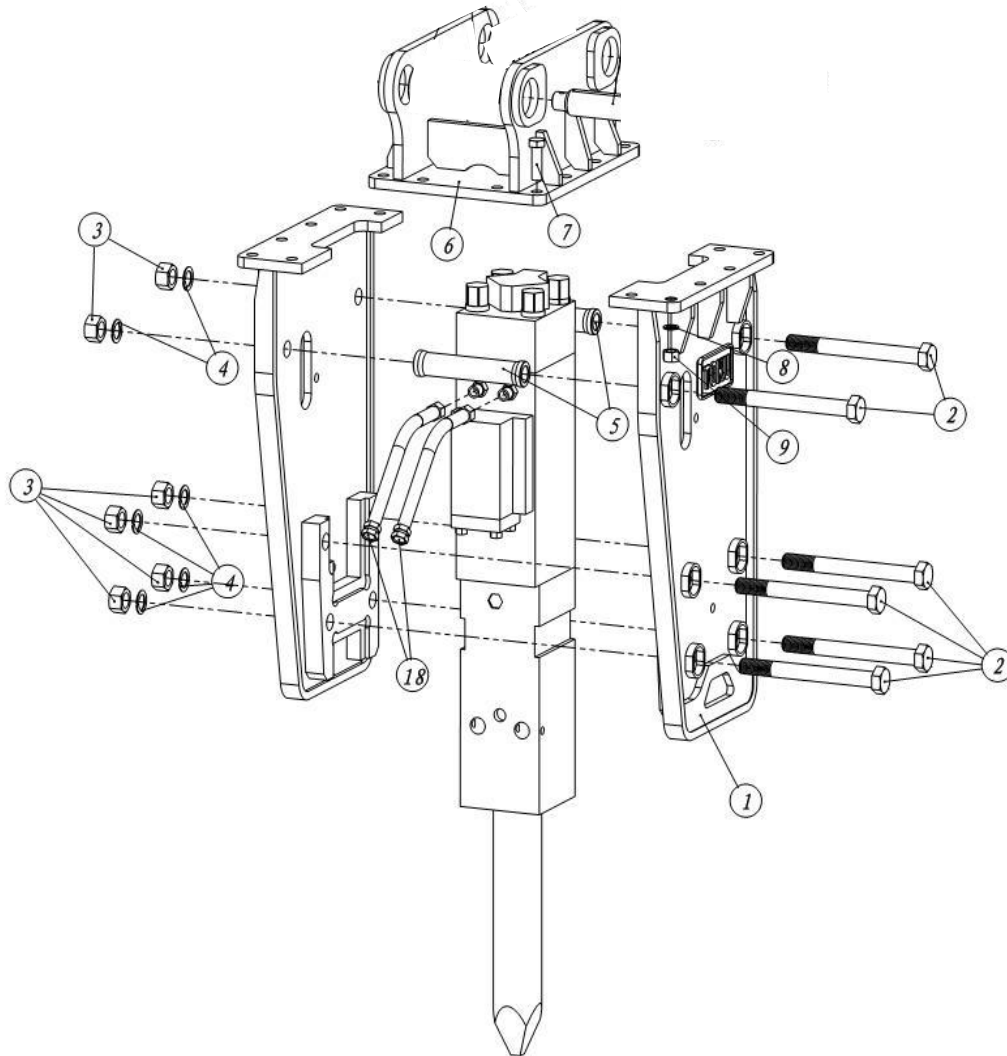


# TNB-6E Flange



## Parts

2018.09.14

No.1

Sym	Part Code	Description	Q'ty	Int	Kit
1	BKT-6E-FL	FLANGE BRACKET	SET		
2	BLT-M30-300	BRACKET BOLT [M30*300]	6		
3	NUT-M30-Lock Nut	NUT [M30]	6		
4	N/A	WASHER [M30]	0		
5	Upon Request	SPACER	2		
6	Per Machine Model	TOP CAP	1		
7	BLT-M20-65	H.T BOLT [M20*65]	12		
8	WASHER-M20	WASHER [M20]	12		
9	NUT-M20-HT	H.T NUT [M20]	12		
18	SGH-2119	HOSE	2		

For Decal and/or Tool Box information, please contact your Dealer

INT(interchangeability)

○ Interchangeable old ↔ new

△ Interchangeable old → new

▲ Interchangeable old ← new

× Not interchangeable