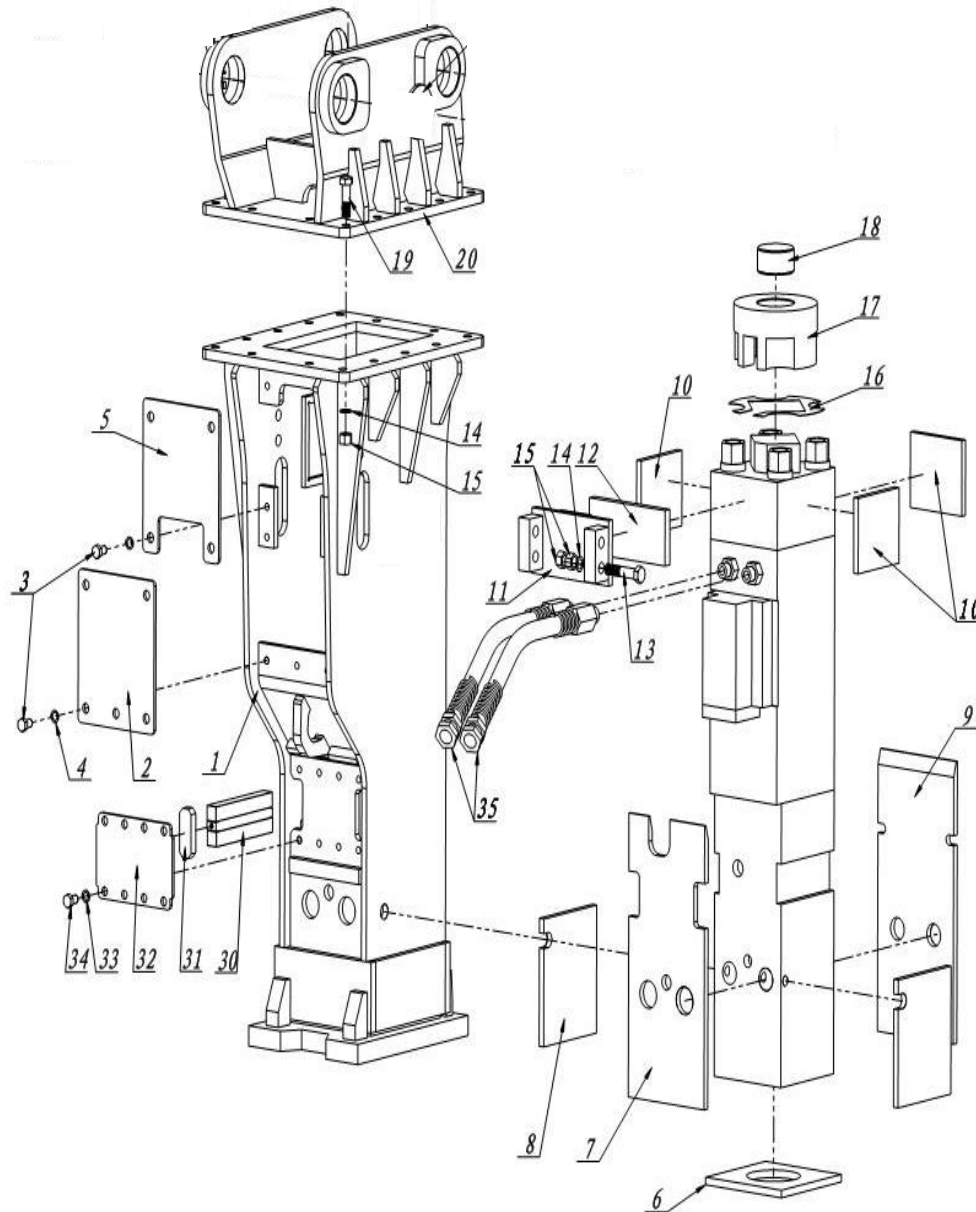


TNB-7E BOX BRACKET



Parts

2018.06.01

No.1

Sym	Part Code	Description	Q'ty	Int	Kit
1	BKT-7E	KEY TYPE BOX BRACKET	1		
2	7EE002	CONTROL VALVE PLATE	1		
3	BLT-M16-30	H.T BOLT [M16x30]	9		
4	WASHER-M16	SPRING WASHER [M16]	9		
5	7EE005	GAS VALVE COVER PLATE	1		
6	7EE006	UNDER SPACER	1		
7	7EE007	CHISEL HOLDER SPACER	1		
8	7EE008	SIDE SPACER	2		
9	7EE009	BACK SPACER	1		
10	7EE010	SMALL SPACER	3		
11	7EE011	GUIDE PLATE	1		
12	7EE012	GUIDE SPCR	1		
13	BLT-M20-100	H.T BOLT [M20x100]	4		
14	WASHER-M20	SPRING WASHER [M20]	16		
15	NUT-M20	H.T NUT [M20]	22		
16	7EE016	ADJUST MAT	1		
17	7EE017	ISOLATOR TOP COVER	1		
18	7EE018	NYLON POLE	1		
19	BLT-M20-70	H.T BOLT [M20x70]	14		
20	Per Machine Model	TOP CAP	1		
30	7EE030	ASSEMBLED LOCALIZER	2		
31	7EE031	RUBBER PLATE	2		
32	7EE032	COVER PLATE	1		
33	WASHER-M16	SPRING WASHER [M16]	8		
34	BLT-M16-25	H.T BOLT [M16x25]	8		
35	SGH-2119	HOSE	2		

For Decal and/or Tool Box information, please contact your Dealer

INT(interchangeability)

○ Interchangeable old ↔ new

△ Interchangeable old → new

▲ Interchangeable old ← new

× Not interchangeable