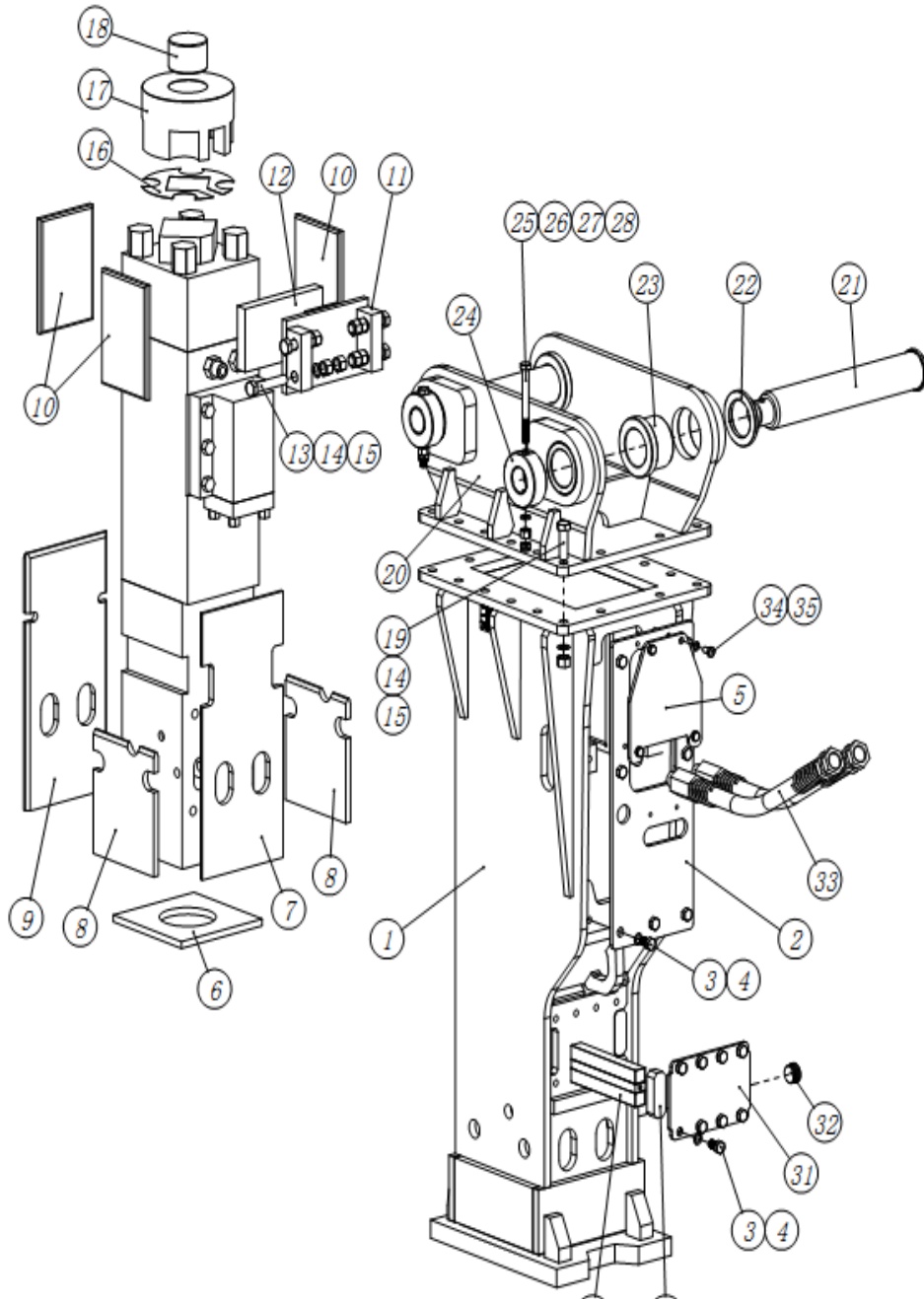


TNB-110 KEY TYPE BOX BRACKET



NO.	DESCRIPTION	PART CODE.	QUANTITY
1	KEY TYPE BOX BRACKET	BKT-110	1
2	CONTROL VALVE PLATE	110002	1
3	H.T BOLT [M16x30]	BLT-M16-30	17
4	SPRING WASHER [M16]	WASHER-M16	17
5	GAS VALVE COVER PLATE	110005	1
6	UNDER SPACER	110006	1
7	CHISEL HOLDER SPACER	110007	1
8	SIDE SPACER	110008	2
9	BACK SPACER	100009	1
10	SMALL SPACER	100010	3
11	GUIDE PLATE	100011	1
12	GUIDE SPACER	100012	1
13	H.T BOLT [M20x100]	BLT-M20-100	2
14	SPRING WASHER [M20]	WASHER-M20	20
15	H.T NUT [M20]	NUT-M20	24
16	ADJUST MAT	100016	1
17	ISOLATOR TOP COVER	100017	1
18	NYLON POLE	100018	1
19	H.T BOLT [M20x70]	BLT-M20-70	16
20	TOP CAP	PER MACHINE MODEL	1
21	BRACKET PIN	PER MACHINE MODEL	2
22	BRACKET PIN STOPPER	N/A	2
23	BRACKET BUSH	N/A	4
24	BRACKET RING	N/A	2
25	H.T BOLT [M16x160]	UPON REQUEST	2
26	SPRING WASHER [M16]	UPON REQUEST	2
27	H.T NUT [M16]	UPON REQUEST	2
28	U NUT [M16]	UPON REQUEST	2
29	ASSEMBLED LOCALIZER	100030	2 SETS
30	RUBBER PLATE	100031	2
31	COVER PLATE	100032	1
32	PLUG ZG1 1/4"	136096128	1
33	HOSE	SGH-2109	2