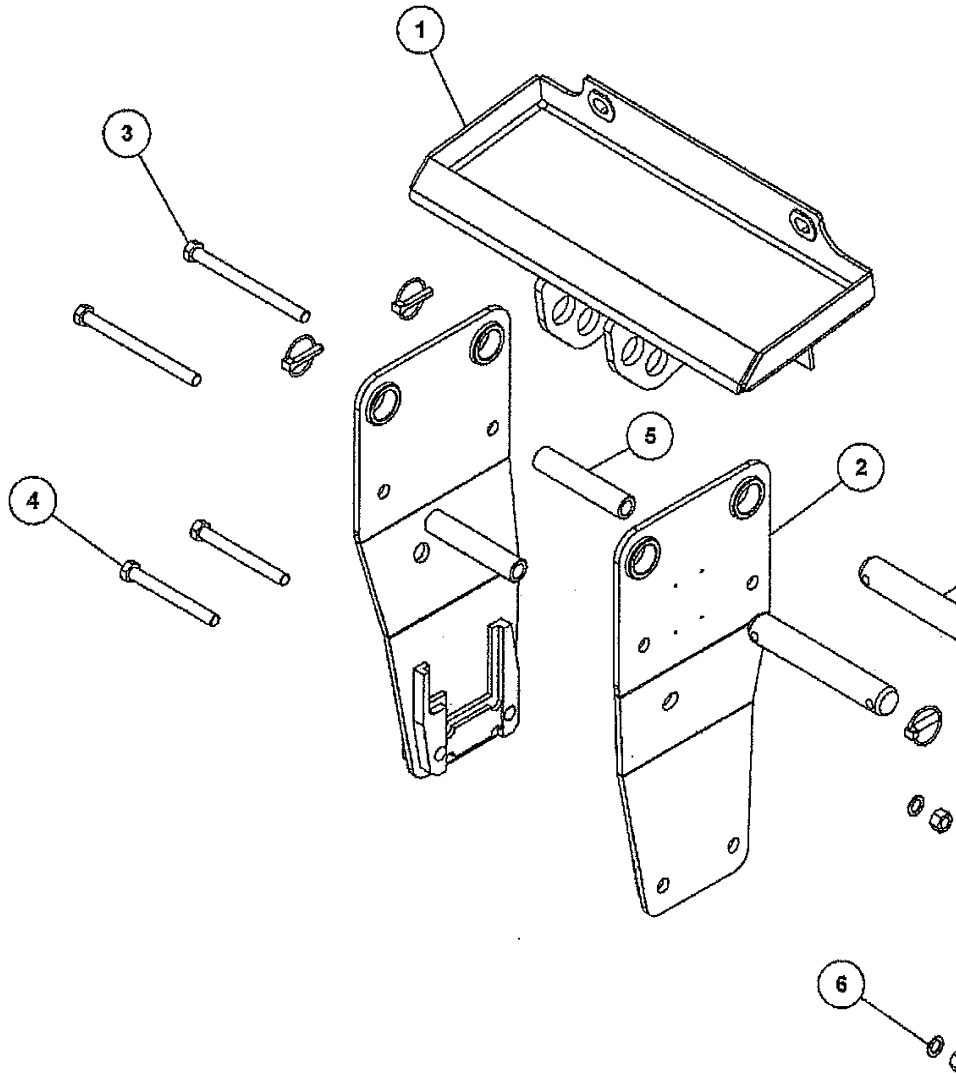


## TNB-1M DINGO



Item	Description	Part Number	Q'ty
1	Dingo	CB-MINI-08/1M	1
2	Side Plates	BKT-1M-FC	1 set
3	Bracket Bolts(L)	BLT-M18-200	2
4	Bracket Bolts(S)	BLT-M18-150	2
5	Spacer	SPACER-32-157	2
6	Washer	WASHER-M18	4
7	Nut	NUT-M18	4
8	Pins	PBB39.36-230	2
9	Lynch Pins	PIN-CLIP	4
	Hose Coupler	SGH-2106	1
	Hose Nipple	SGH-2105	1
	Moil Point	415105410	1

Decal and/or Tool Box please contact Your Dealer