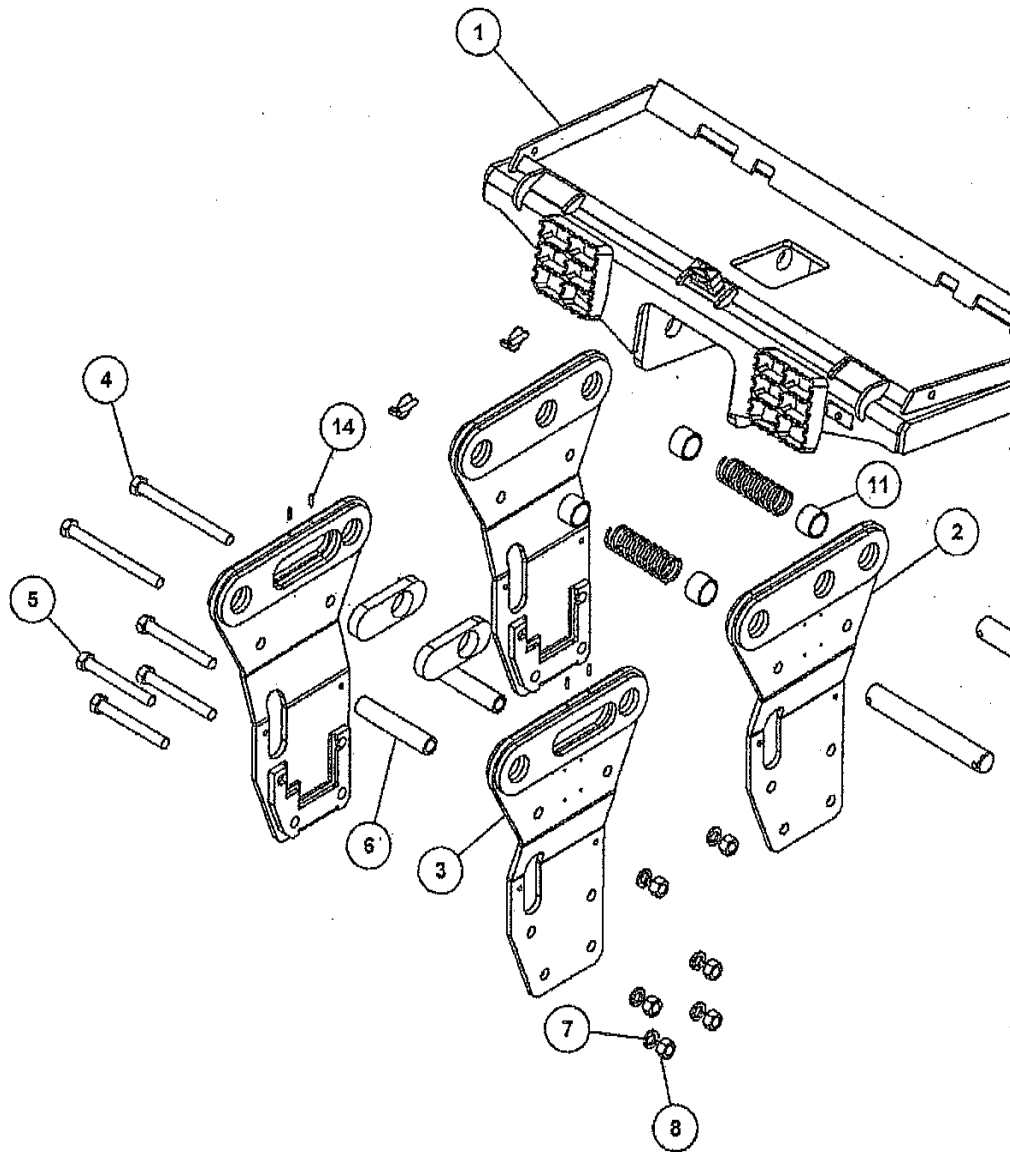


TNB-2M Dingo



Item	Description	Part Number	Q'ty
1	Dingo CB	CB-DNGO-2M	1
2,3	Side Plates	BKT-2M-FCC	1 set
4	Bracket Bolts(L)	BLT-M22-240	2
5	Bracket Bolts(S)	BLT-M22-180	4
6	Spacer	SPACER-44.5-190	2
7	Washer	WASHER-M22	6
8	Nut	NUT-M22	6
9	Pins	PBP44-288	2
10	Lynch Pin	PIN-CLIP	4
11	Bushings	PBB57-45-1-41	4
	Hose Coupler	SHG-2106	1
	Hose Nipple	SGH-2105	1
	Moil Point	415108410	1

For Decal and/or Tool Box please contact Your Dealer