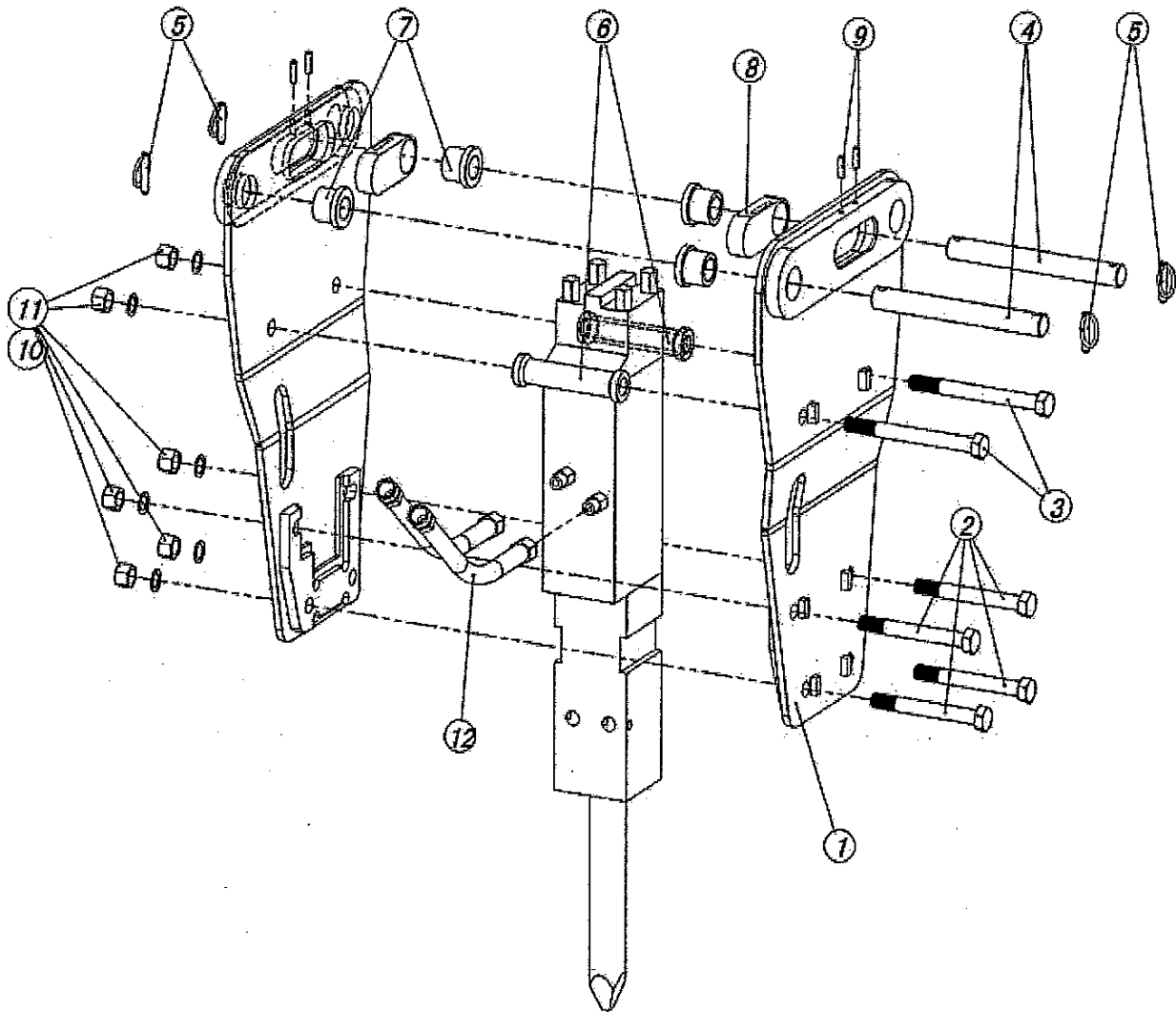


TNB-2M MX



| Item | Description | Part Number | Q'ty |
|------|------------------|-------------------|-------|
| 1 | Side Plates | BKT-2M-FCC | 1 set |
| 2 | Bracket Bolts(S) | BLT-M22-180 | 4 |
| 3 | Bracket Bolts(L) | BLT-M22-240 | 2 |
| 4 | Pins | Per Machine Model | 2 |
| 5 | Lynch Pin | PIN-CLIP | 4 |
| 6 | Spacer | SPACER-44.5-190 | 2 |
| 7 | Bushings | Per Machine Model | 4 |
| 8 | Oval Insert | Per Machine Model | 2 |
| 10 | Washer | WASHER-M22 | 6 |
| 11 | Nut | NUT-M22 | 6 |
| 12 | Hose Coupler | SHG-2095 | 1 |
| 12 | Hose Nipple | SGH-2094 | 1 |
| | Moil Point | 415108410 | 1 |

For Decal and/or Tool Box please contact Your Dealer