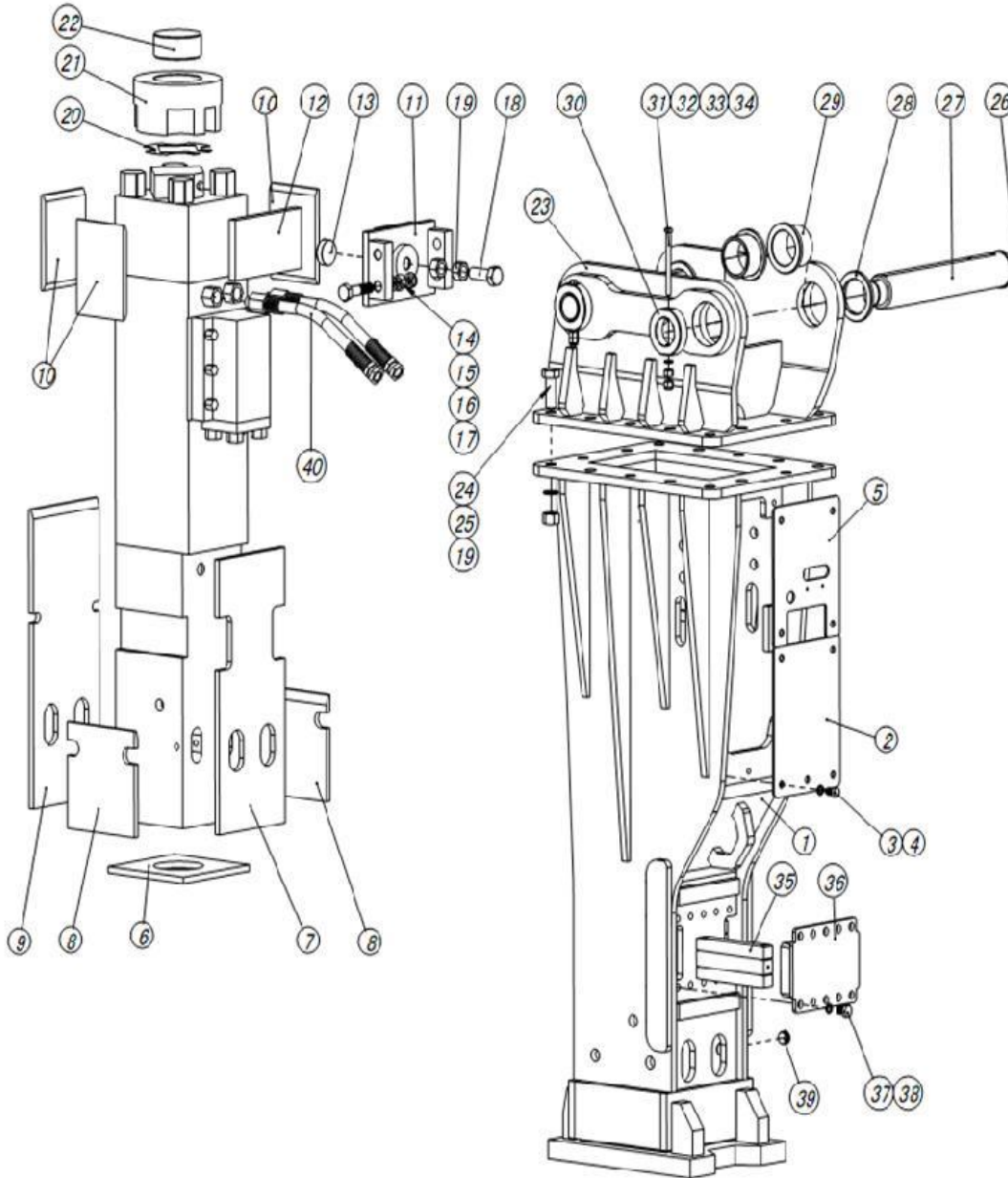


TNB-310LU1 KEY TYPE BOX BRACKET CP



NO.	DESCRIPTION	PART CODE.	QUANTITY
1	KEY TYPE BOX BRACKET	BKT-310LU1-W/O TC	1
2	CONTROL VALVE PLATE	310002	1
3	H.T BOLT [M20x35]	BLT-M20-35	9
4	SPRING WASHER [M20]	WASHER-M20	9
5	GAS VALVE COVER PLATE	310005-2	1
6	UNDER SPACER	310006	1
7	CHISEL HOLDER SPACER	310007-2	1
8	SIDE SPACER	310008	2
9	BACK SPACER	310009	1
10	SMALL SPACER	310010	3
11	GUIDE PLATE	310011	1
12	GUIDE SPACER	310012	1
13	SMALL NYLON POLE	310013	1
14	H.T BOLT [M30x130]	BLT-M30-130	4
15	SPRING WAHSER [M30]	WASHER-M30	4
16	H.T NUT [M30]	NUT-M30-HT	4
17	H.T LOCK NUT [M30]	NUT-M30-Lock Nut	4
18	H.T BOLT [M39x120]	BLT-M39-120	1
19	H.T NUT [M39]	NUT-M39-HT	16
20	ADJUST MAT	310019	1
21	ISOLATOR TOP COVER	310020	1
22	NYLON POLE	310021	1
23	TOP CAP	PER MACH. MODEL	1
24	H.T BOLT [M39x105]	BLT-M39-105	14
25	SPRING WASHER [M39]	WASHER-M39	14
26	GREASE NIPPLE	N/A	2
27	BRACKET PIN	PER MACH. MODEL	2
28	BRACKET PIN STOPPER	UPON REQUEST	2
29	BRACEKT BUSH	PER MACH. MODEL	4
30	BRACKET RING	UPON REQUEST	2
31	H.T BOLT [M20x200]	UPON REQUEST	2
32	SPRING WASHER [M20]	UPON REQUEST	2
33	H.T NUT [M20]	UPON REQUEST	2
34	U NUT [M20]	UPON REQUEST	2
35	ASSEMBLED LOCALIZER	310033	2 SETS
36	COVER PLATE	310035-2	2
37	SPRING WASHER [M24]	WASHER M24	10
38	H.T BOLT [M24x35]	BLT-M24-35	10
39	PLUG ZG1 1/4"	136096128	1
40	HOSE	SGH-2121	2