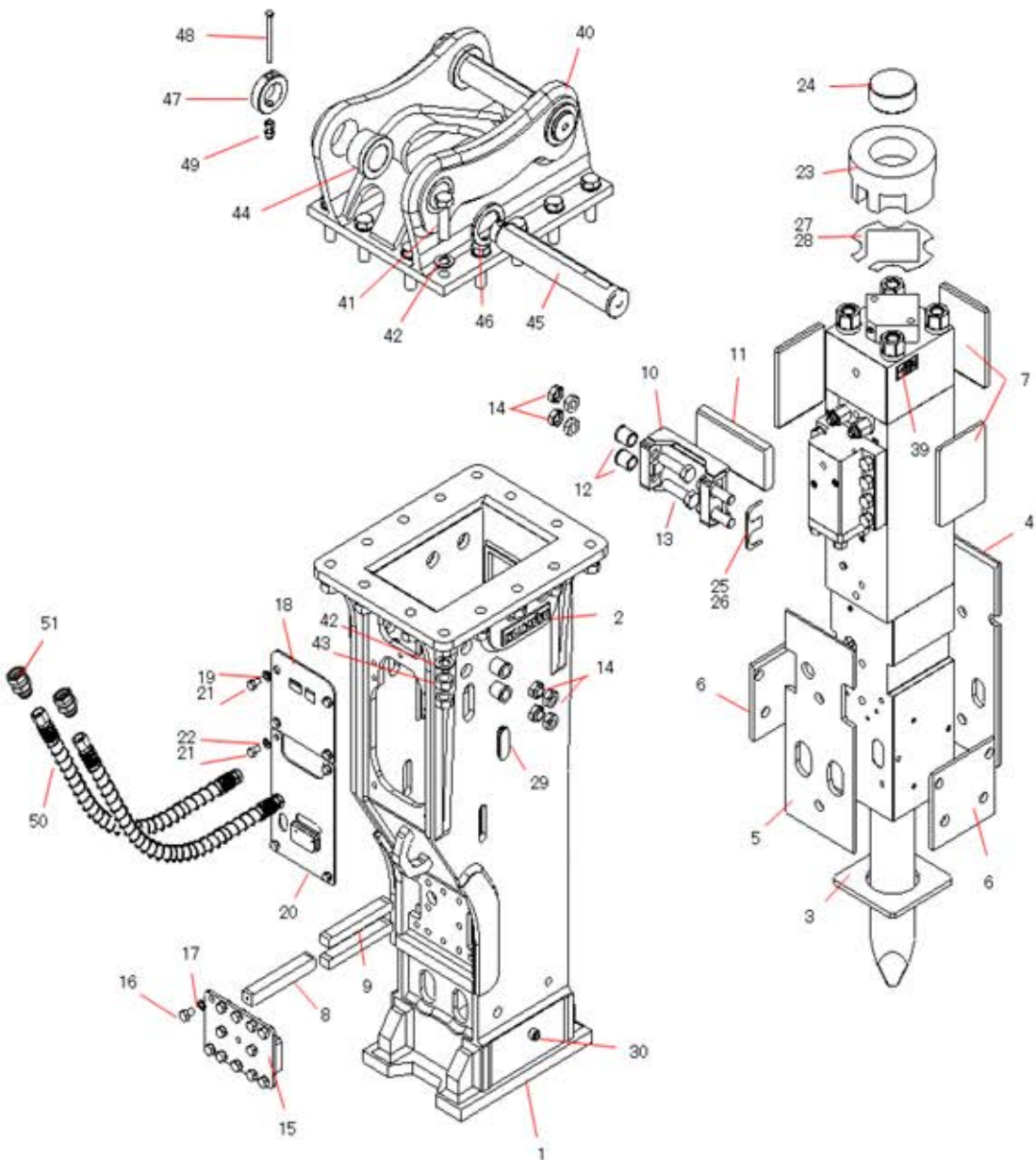


**TNB-310LU1-K KEY TYPE BOX BRACKET CP**


NO	DESCRIPTION	PART CODE	QUANTITY
1	TOP MOUNT BOX BRACKET	BKT-310LU1-K	1
3	UNDER SPACER	310006-K	1
4	BACK SPACER	310009-K	1
5	CHISEL HOLDER SPACER	310007-K	1
6	SIDE SPACER	310008-K	2
7	SMALL SPACER	310010	3
8	ASSEMBLED LOCALIZER	310033	2 SETS
9			
10	GUIDE PLATE	310011-K	1
11	GUIDE SPACER	310012-K	1
12	GUIDE BUSH	230013-K	4
13	BOLT M36X130	BLT-M36-140	4
14	NUT M36	NUT-M36-HT	4
15	COVER PLATE	310035-K	1
16	BOLT M24X35	BLT-M24X35	10
17	WASHER M24	WASHER M24	10
18	GAS VALVE COVER PLATE	310005-K	1
19	SLEEVE WASHER	151019-K	4
20	COVER B	310002-K	1
21	BOLT M20X35	BLT-M20-35	8
22	WASHER M20	WASHER-M20	4
23	ISOLATOR TOP COVER	310020	1
24	STOPPER	310021	1
25	ADJUST MAT A 0.5	230025-K	1
26	ADJUST MAT A 1.0	230026-K	1
27	ADJUST MAT B 1.0	310019	1
28	ADJUST MAT B 2.0	310019-2	1
29	SIDE PLUG	151029	2
30	PLUG ZG1 1/4"	136096128	1
40	TOP CAP	PER MACHINE MODEL	1
41	BOLT M39X160	BLT-M39-160	14
42	WASHER M39	WASHER-M39	28
43	NUT M39	NUT-M39-HT	28
44	BRACKET BUSH	PER MACHINE MODEL	4
45	BRACKET PIN	PER MACHINE MODEL	2
46	BRACKET PIN STOPPER	UPON REQUEST	2
47	BRACKET RING	UPON REQUEST	2
48	BOLT M20X200	UPON REQUEST	2
49	NUT M20	UPON REQUEST	4
50	GREASE NIPPLE	N/A	2
51	HOSE	SGH-2121	2