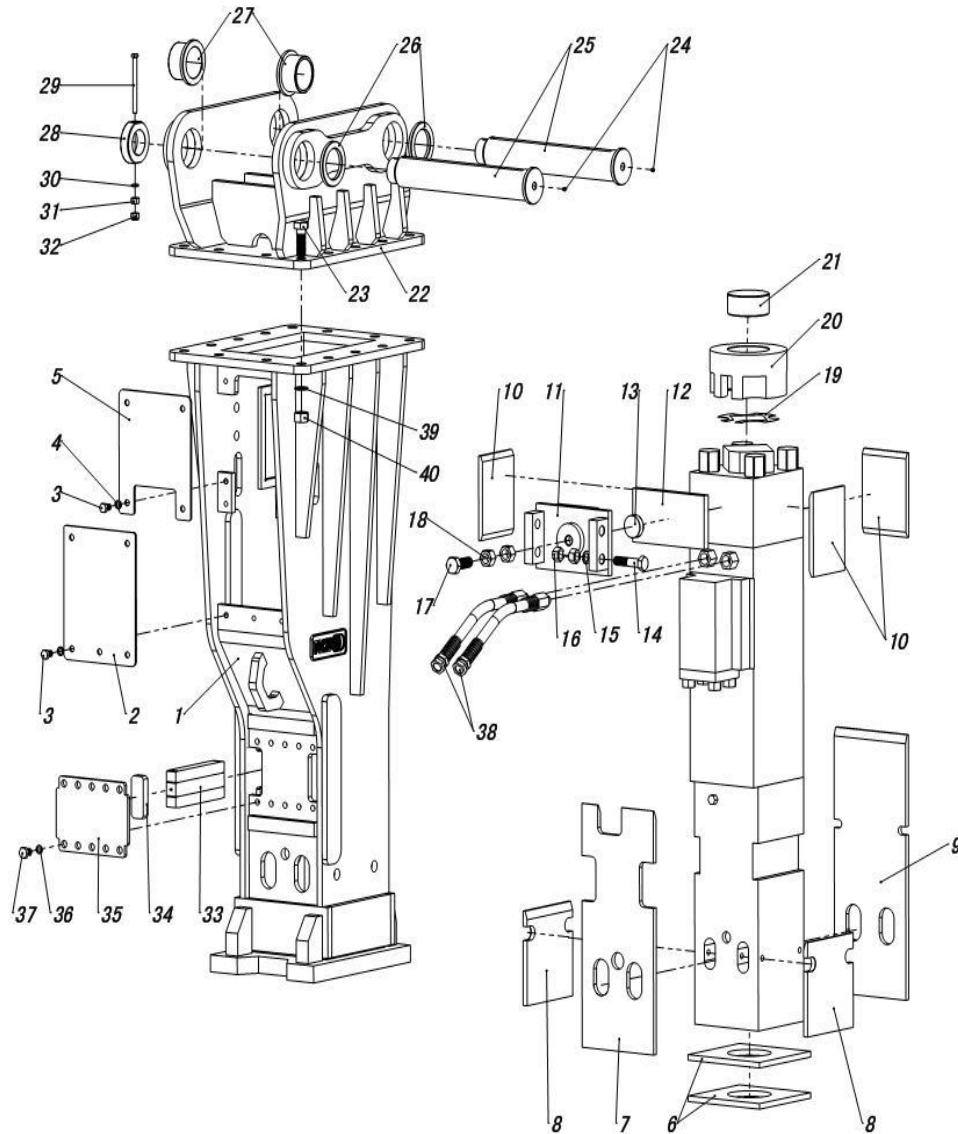


**TNB-310LU KEY TYPE BOX BRACKET CP**



NO.	DESCRIPTION	PART CODE.	QUANTITY
1	KEY TYPE BOX BRACKET	BKT-310-ST-W/O TC	1
2	CONTROL VALVE PLATE	310002	1
3	H.T BOLT [M20x30]	BLT-M20-30	9
4	SPRING WASHER [M20]	WASHER-M20	9
5	GAS VALVE COVER PLATE	310005	1
6	UNDER SPACER	310006	2
7	CHISEL HOLDER SPACER	310007	1
8	SIDE SPACER	310008	2
9	BACK SPACER	310009	1
10	SMALL SPACER	310010	3
11	GUIDE PLATE	310011	1
12	GUIDE SPACER	310012	1
13	SMALL NYLON POLE	310013	1
14	H.T BOLT [M30x120]	BLT-M30-120	4
15	SPRING WAHSER [M30]	WASHER-M30	4
16	H.T NUT [M30]	NUT-M30-HT	8
17	H.T BOLT [M36x120]	BLT-M36-120	1
18	H.T NUT [M36]	NUT-M36-HT	2
19	ADJUST MAT	310019	1
20	ISOLATOR TOP COVER	310020	1
21	NYLON POLE	310021	1
22	TOP CAP	PER MACH. MODEL	1
23	H.T BOLT [M39x105]	BLT-M39-105	14
24	GREASE NIPPLE	N/A	2
25	BRACKET PIN	PER MACH. MODEL	2
26	BRACKET PIN STOPPER	UPON REQUEST	2
27	BRACEKT BUSH	PER MACH. MODEL	4
28	BRACKET RING	UPON REQUEST	1
29	H.T BOLT [M20x200]	UPON REQUEST	12
30	SPRING WASHER [M20]	UPON REQUEST	2
31	H.T NUT [M20]	UPON REQUEST	2
32	U NUT [M20]	UPON REQUEST	2
33	ASSEMBLED LOCALIZER	310033	2 SETS
34	RUBBER PLATE	310034	2
35	COVER PLATE	310035	2
36	SPRING WASHER [M24]	WASHER M24	10
37	H.T BOLT [M24x35]	BLT-M24-35	10
38	HOSE	SGH-2121	2
39	SPRING WASHER [M39]	WASHER-M39	14
40	H.T NUT [M39]	NUT-M39-HT	14