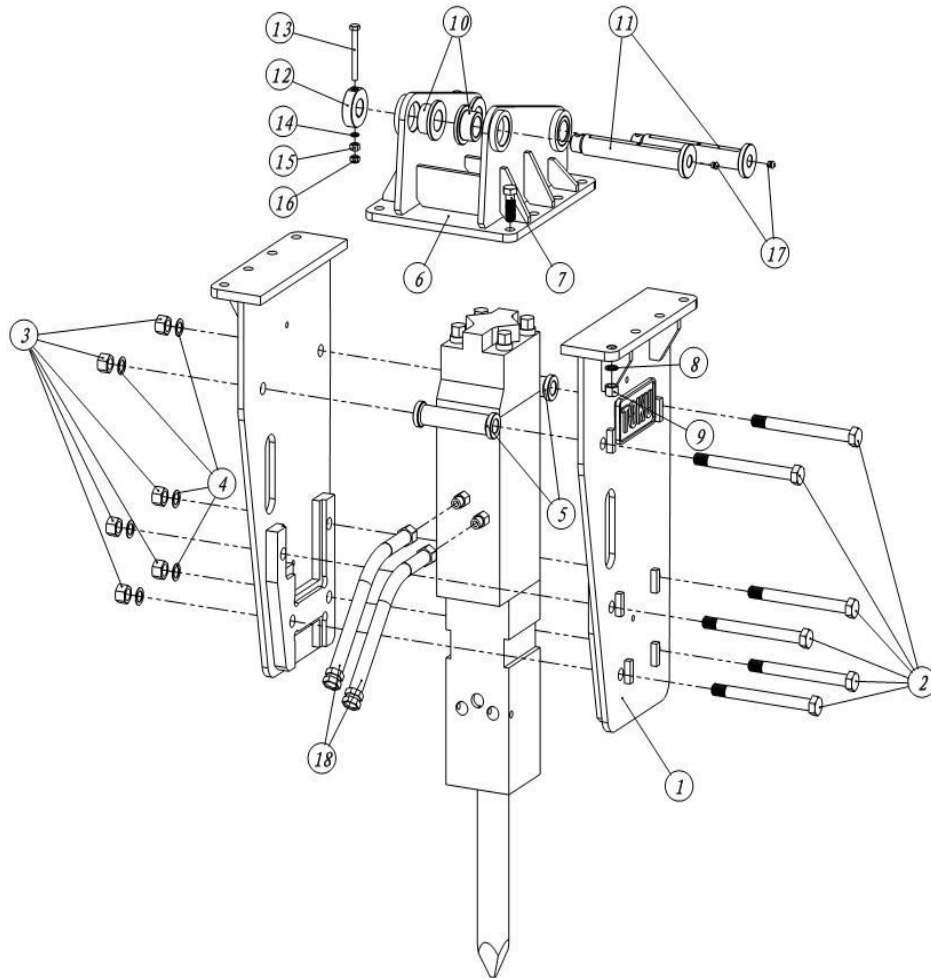


## TNB-3MB 2PC TOP MOUNT BRACKET



NO.	DESCRIPTION	PART CODE.	QUANTITY
1	FLANGE BRACKET	BKT-3MB-FL	1 SET
2	BRACKET BOLT [M20*210]	BLT-M20-210	6
3	BRACKET BOLT NUT [M20]	NUT-M20	6
4	BRACKET BOLT WASHER [M20]	WASHER-M20	6
5	SPACER [22x159.5]	Upon Request	2
6	BRACKET B	Per Machine Model	1
7	H.T BOLT [M16*55]	BLT-M16-55	8
8	WASHER [M16]	WASHER-M16	8
9	H.T NUT [M16]	NUT-M16	8
10	BRACKET BUSH	N/A	4
11	BRACKET PIN	N/A	2
12	BRACKET RING	N/A	2
13	H.T BOLT [M10*90]	Upon Request	2
14	WASHER [M10]	Upon Request	2
15	H.T NUT [M10]	Upon Request	2
16	U NUT [M10]	Upon Request	2
17	GREASE NIPPLE	N/A	2
18	HOSE	SGH-2094 & SGH-2095	2