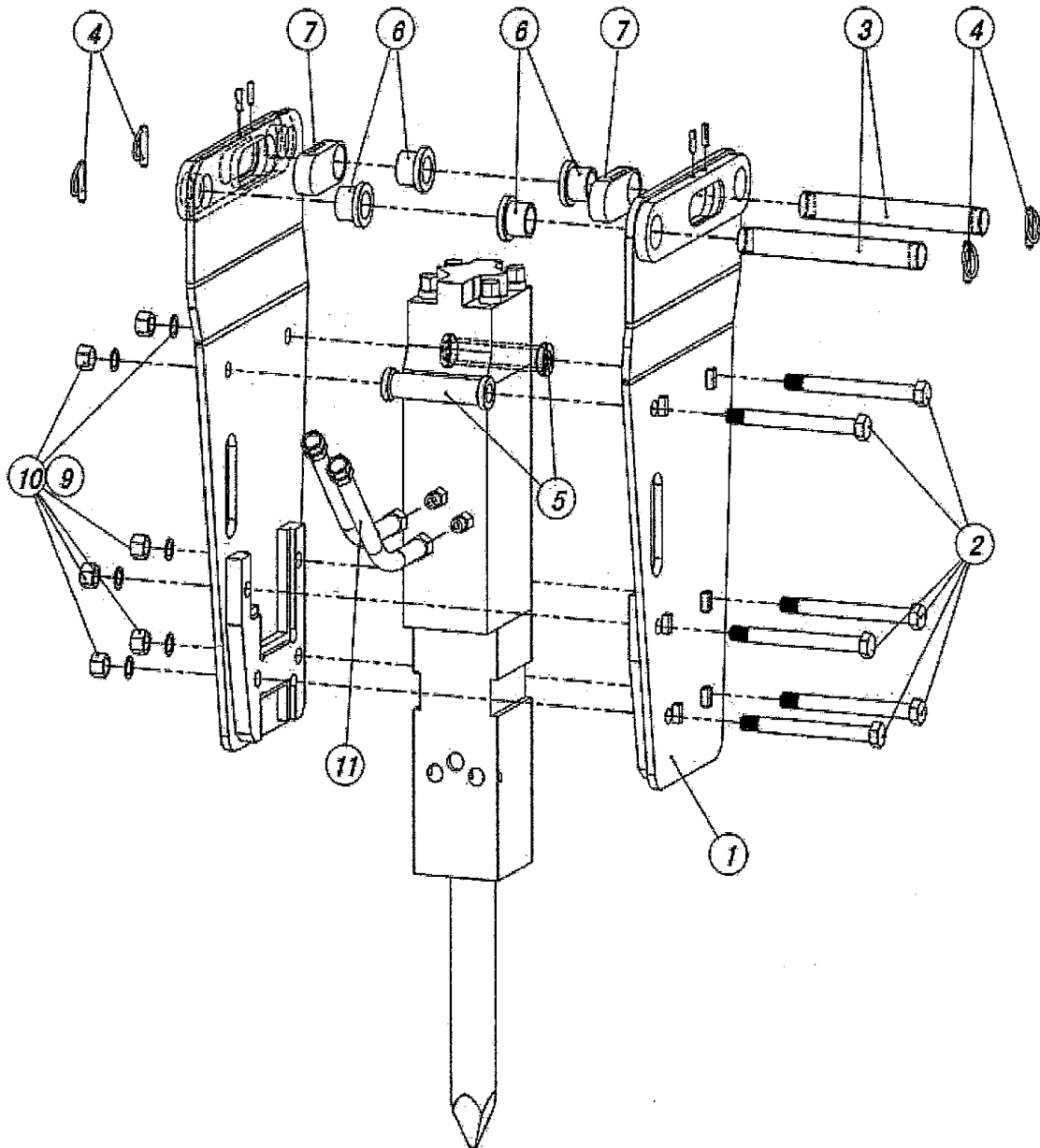


## TNB-3MB MX



| Item | Description   | Part Number       | Q'ty  |
|------|---------------|-------------------|-------|
| 1    | Side Plates   | BKT-3M-FCC        | 1 set |
| 2    | Bracket Bolts | BLT-M22-220       | 6     |
| 3    | Pins          | Per Machine Model | 2     |
| 4    | Lynch Pin     | PIN-CLIP          | 4     |
| 5    | Spacer        | SPACER-22-165     | 2     |
| 6    | Bushings      | Per Machine Model | 4     |
| 7    | Oval Insert   | Per Machine Model | 2     |
| 9    | Washer        | WASHER-M22        | 6     |
| 10   | Nut           | NUT-M22           | 6     |
| 11   | Hose Coupler  | SHG-2095          | 1     |
| 11   | Hose Nipple   | SGH-2094          | 1     |
|      | Moil Point    | 415635410         | 1     |

**For Decal and/or Tool Box please contact Your Dealer**