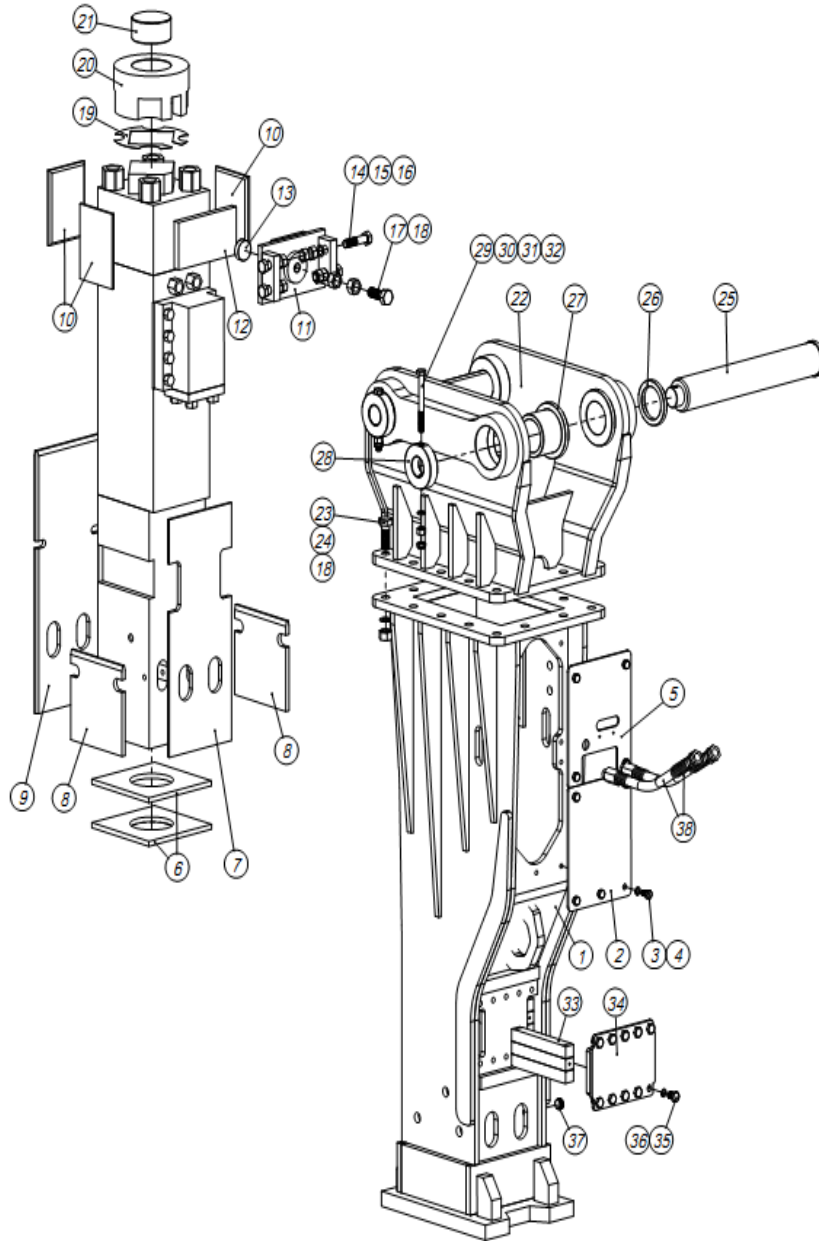


TNB-400LU1 KEY TYPE BOX BRACKET CP



NO	DESCRIPTION	PART CODE	QUANTITY
1	Box Bracket	BKT-400LU1-ST-W/O-TC	1
2	Control Valve Plate	400002	1
3	H.T Bolt M20x35	BLT-M20-35	9
4	Washer 20	WASHER-M20	9
5	Gas Valve Cover Plate	400005	1
6	Under Spacer	400006	2
7	Chisel Holder Spacer	400007-2	1
8	Side Spacer	400008	2
9	Back Spacer	400009	1
10	Small Spacer	400010	3
11	Guide Plate	400011	1
12	Guide Spacer	400012	1
13	Small Nylon Pole	400013	1
14	H.T Bolt M30x130	BLT-M30-130	4
15	Washer 30	WASHER-M30	4
16	H.T Nut M30	NUT-M30-HT	8
17	H.T Bolt M39x105	BLT-M39-105	1
18	H.T Nut M39	NUT-M39-HT	16
19	Adjust Mat	400016	1
20	Top Cover	400017	1
21	Nylon Pole	400018	1
22	Top Cap	PER MACH. MODEL	1
23	H.T Bolt M39x105	BLT-M39-105	14
24	Washer 39	WASHER-M39	14
25	Bracket Pin	PER MACH. MODEL	2
26	Bracket Pin Stopper	UPON REQUEST	2
27	Bracket Bush	PER MACH. MODEL	4
28	Bracket Ring	UPON REQUEST	2
29	H.T Bolt	UPON REQUEST	2
30	Washer	UPON REQUEST	2
31	H.T Nut	UPON REQUEST	2
32	Nut	UPON REQUEST	2
33	Assembled Localizer	400030	2 sets
34	Cover Plate	400032-2	1
35	Washer 24	WASHER M24	10
36	H.T Bolt M24x35	BLT-M24-35	10
37	Plug ZG1 1/4"	136096128	1
38	Hose	SGH-2121	2