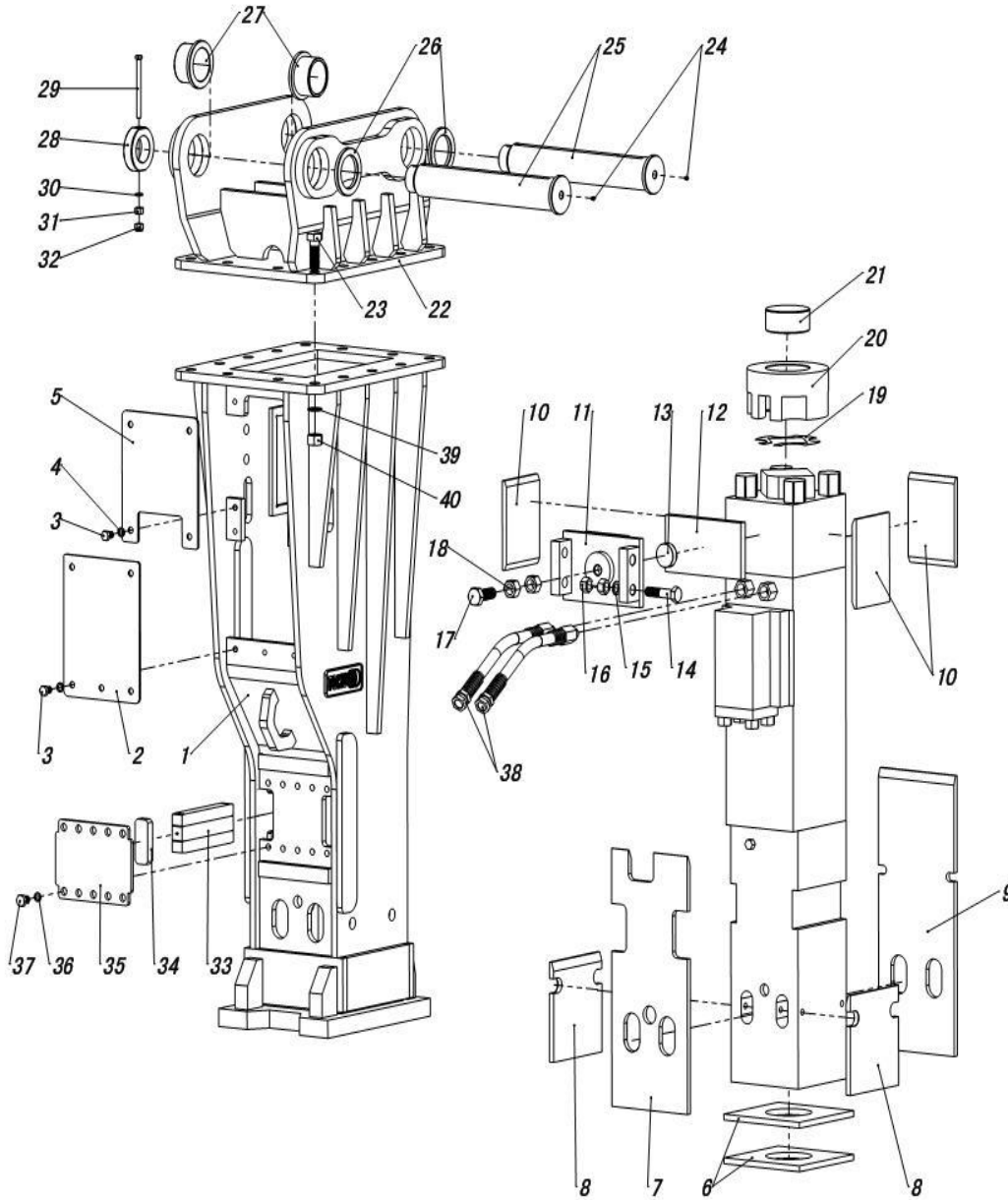


**TNB-400LU KEY TYPE BOX BRACKET CP**



NO.	DESCRIPTION	PART CODE.	QUANTITY
1	KEY TYPE BOX BRACKET	BKT-400-ST-W/O-TC	1
2	CONTROL VALVE PLATE	400002	1
3	H.T BOLT [M20x35]	BLT-M20-35	9
4	SPRING WASHER [M20]	WASHER-M20	9
5	GAS VALVE COVER PLATE	400005	1
6	UNDER SPACER	400006	2
7	CHISEL HOLDER SPACER	400007	1
8	SIDE SPACER	400008	2
9	BACK SPACER	400009	1
10	SMALL SPACER	400010	3
11	GUIDE PLATE	400011	1
12	GUIDE SPACER	400012	1
13	SMALL NYLON POLE	400013	1
14	H.T BOLT [M30x130]	BLT-M30-130	4
15	SPRING WAHSER [M30]	WASHER-M30	4
16	H.T NUT [M30]	NUT-M30-HT	8
17	H.T BOLT [M39x105]	BLT-M39-105	1
18	H.T NUT [M39]	NUT-M39-HT	2
19	ADJUST MAT	400016	1
20	ISOLATOR TOP COVER	400017	1
21	NYLON POLE	400018	1
22	TOP CAP	PER MACH. MODEL	1
23	H.T BOLT [M39x105]	BLT-M39-105	14
24	GREASE NIPPLE	N/A	2
25	BRACKET PIN	PER MACH. MODEL	2
26	BRACKET PIN STOPPER	UPON REQUEST	2
27	BRACEKT BUSH	PER MACH. MODEL	4
28	BRACKET RING	UPON REQUEST	1
29	H.T BOLT [M20x200]	UPON REQUEST	12
30	SPRING WASHER [M20]	UPON REQUEST	2
31	H.T NUT [M20]	UPON REQUEST	2
32	U NUT [M20]	UPON REQUEST	2
33	ASSEMBLED LOCALIZER	400030	2 SETS
34	RUBBER PLATE	400031	2
35	COVER PLATE	400032	2
36	SPRING WASHER [M24]	WASHER M24	10
37	H.T BOLT [M24x35]	BLT-M24-35	10
38	HOSE	SGH-2121	2
39	SPRING WASHER [M39]	WASHER-M39	14
40	H.T NUT [M39]	NUT-M39-HT	14