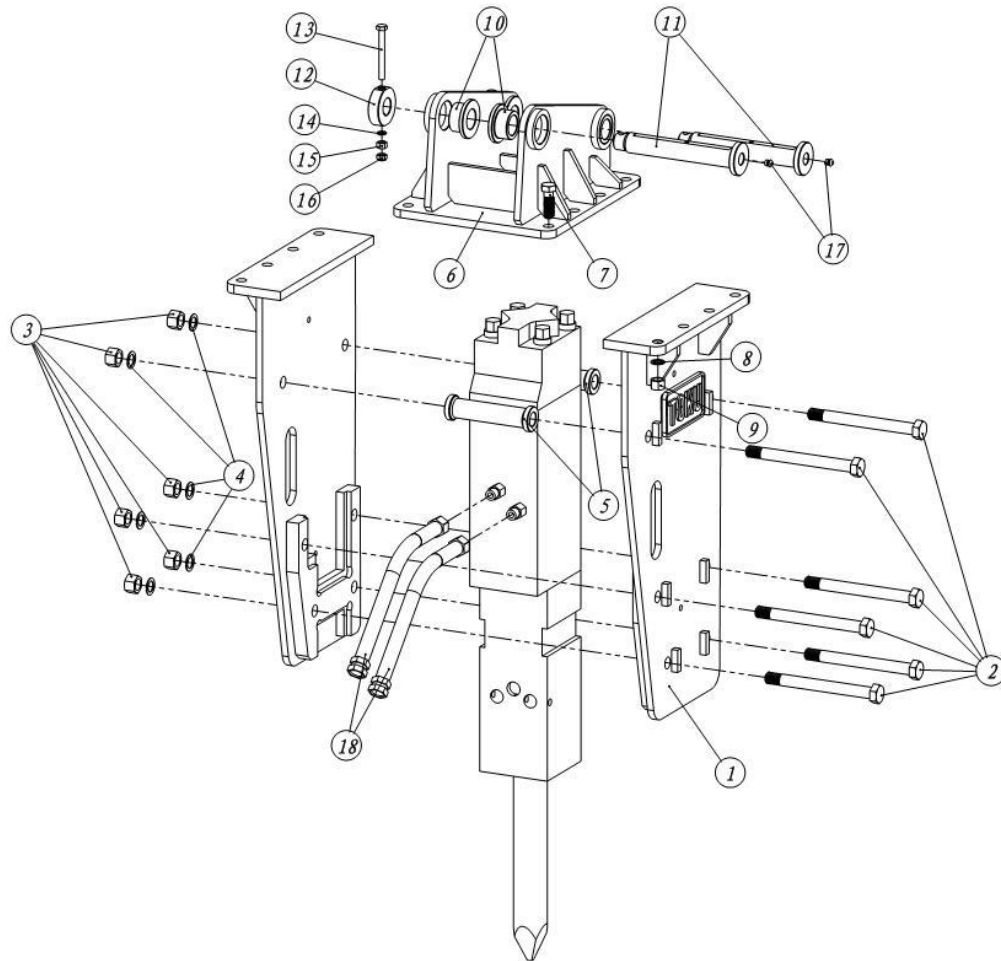


TNB-4M 2PC TOP MOUNT BRACKET



| NO. | DESCRIPTION | PART CODE. | QUANTITY |
|-----|---------------------------|--|----------|
| 1 | FLANGE BRACKET | BKT-4M-FL | 1 SET |
| 2 | BRACKET BOLT [M24*240] | BLT-M24-240 | 6 |
| 3 | BRACKET BOLT NUT [M24] | NUT-M24 | 6 |
| 4 | BRACKET BOLT WASHER [M24] | WASHER-M24 | 6 |
| 5 | SPACER | SPACER-28-180 | 2 |
| 6 | TOP CAP | Per Machine Model | 1 |
| 7 | H.T BOLT [M16*55] | BLT-M16-55 | 8 |
| 8 | WASHER [M16] | WASHER-M16 | 8 |
| 9 | H.T NUT [M16] | NUT-M16 | 8 |
| 10 | TOP CAP BUSHING | N/A | 4 |
| 11 | TOP CAP PIN | N/A | 2 |
| 12 | TOP CAP RING | N/A | 2 |
| 13 | H.T BOLT [M10*90] | Upon Request | 2 |
| 14 | WASHER [M10] | Upon Request | 2 |
| 15 | H.T NUT [M10] | Upon Request | 2 |
| 16 | U NUT [M10] | Upon Request | 2 |
| 17 | GREASE NIPPLE | N/A | 2 |
| 18 | HOSE | SGH-2081 & SGH-2091 OR SGH-2079 & SGH-2090 | 2 |