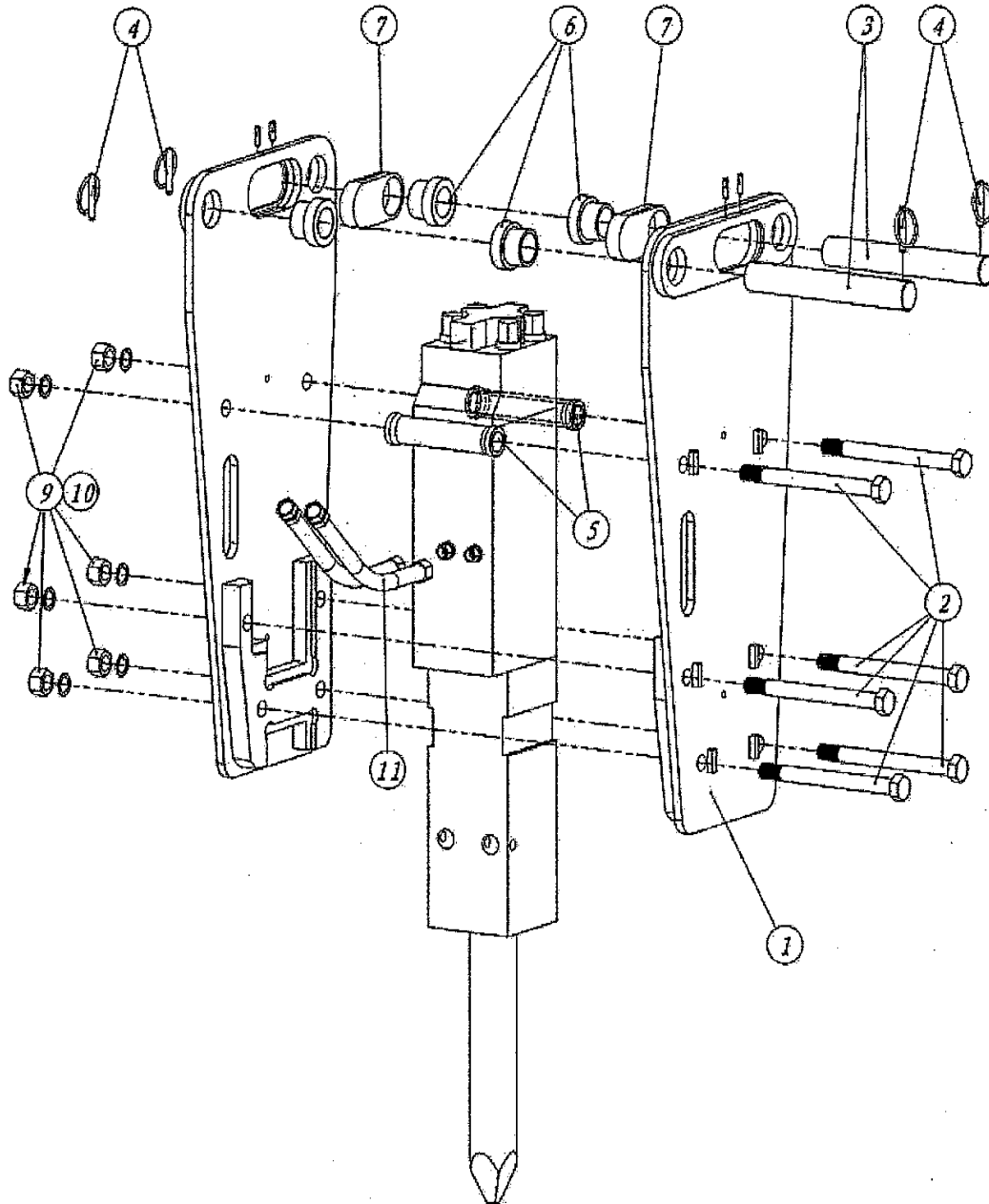


## TNB-5M MX



Item	Description	Part Number	Q'ty
1	Side Plates	BKT-5M-FCC	1 set
2	Bracket Bolts	BLT-M25-250	6
3	Pins	Per Machine Model	2
4	Lynch Pin	PIN-CLIP	4
5	Spacer	SPACER-24-200	2
6	Bushings	Per Machine Model	4
7	Oval Insert	Per Machine Model	2
9	Washer	WASHER-M24	6
10	Nut	NUT-M25	6
11	Hose Coupler	SHG-2079	1
11	Hose Nipple	SGH-2090	1
	Moil Point	415118410	1

For Decal and/or Tool Box please contact Your Dealer