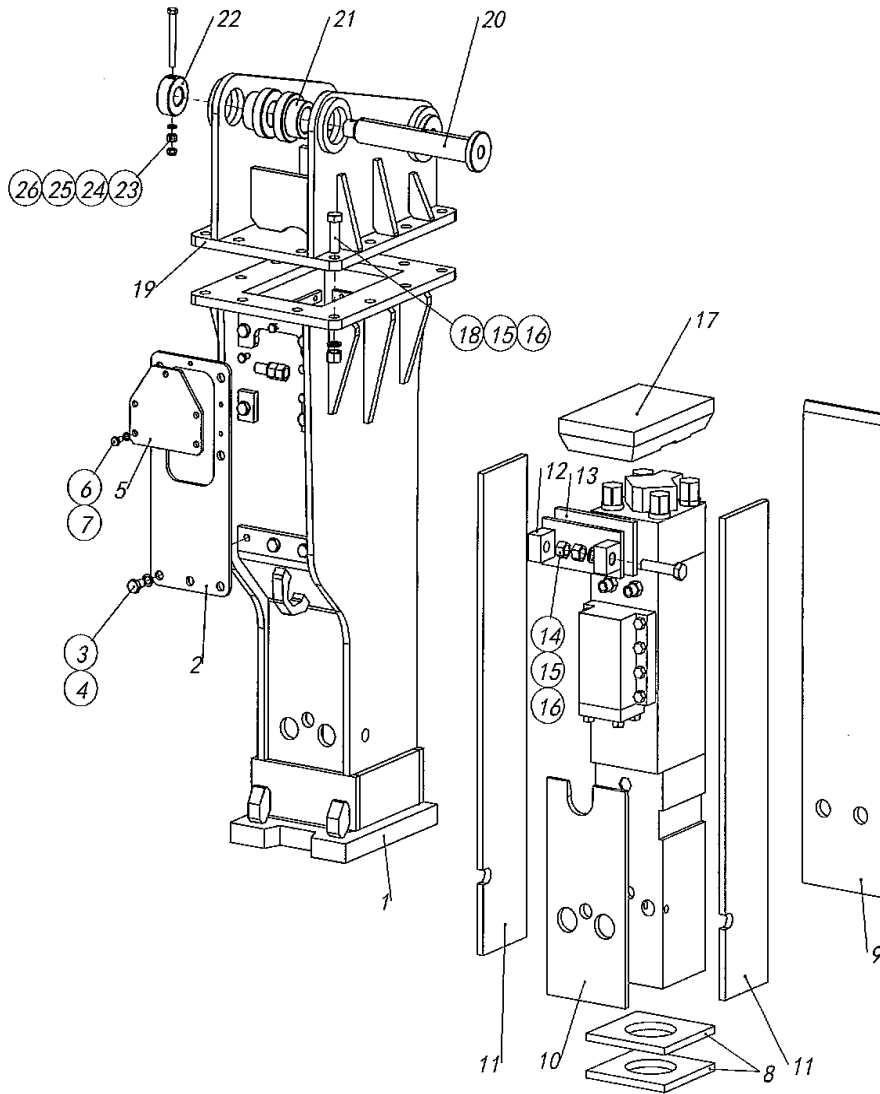


TNB-6E BOX BRACKET



NO.	DESCRIPTION	PART CODE	QUANTITY
1	Box Bracket	BKT-6E-BX	1 Set
2	Control valve plate	6E002	1
3	Hex Bolt M16 x 30	BLT-M16-30	7
4	Washer M16	WASHER-M16	7
5	Gas valve plate	6E005	1
6	Hex Bolt M10 x 20	BLT-M10-20	5
7	Washer M10	WASHER-M10	5
8	Under spacer	6E008-K	2
9	Back spacer	6E009	1
10	Chisel Holder spacer	6E010	1
11	Side spacer (L,R)	6E011	2
12	Guide Plate	6E012	2
13	Guide Spacer	6E014-K	1
14	Hex bolt M20x90	BLT-M20-90	2
15	Washer M20	WASHER-M20	14
16	HT Nut M20	NUT-M20	16
17	Top cover plate	6E017	1
18	Hex Bolt M20x65	BLT-M20-65	12
19	Top Cap	Per Machine Model	1
20	Bracket Pin	Per Machine Model	2
21	Bracket Bush	N/A	4
22	Bracket ring	N/A	2
23	Hex bolt M12x110	Upon Request	2
24	Spring washer M12	Upon Request	2
25	HT Nut M12	Upon Request	2
26	Nut	Upon Request	2