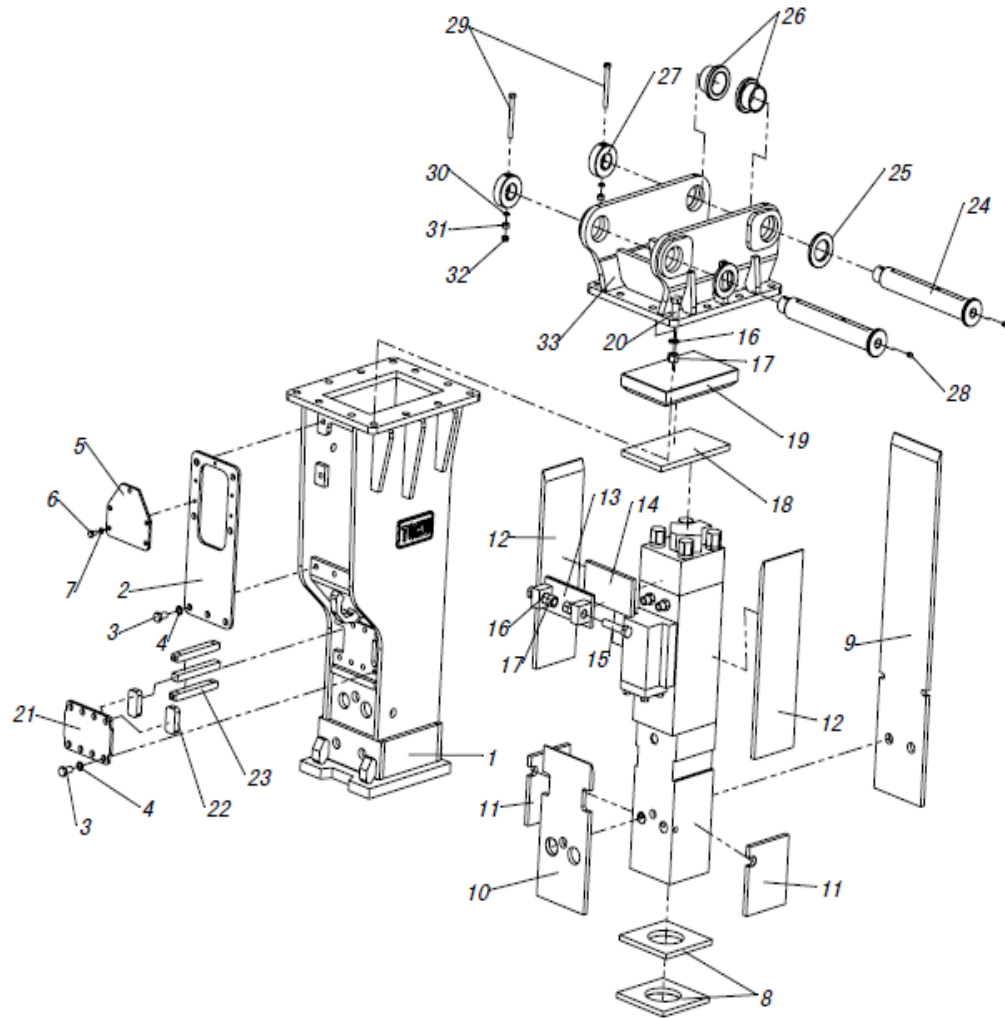


TNB-6E KEY TYPE BOX BRACKET



| NO. | DESCRIPTION | PART CODE | QUANTITY |
|-----|-----------------------|----------------------------------|----------|
| 1 | Key Type Box Bracket | BKT-6E-BX-K | 1 |
| 2 | Control Valve Plate | 6E002 | 1 |
| 3 | Bolt | BLT-M16-30 | 14 |
| 4 | Washer | WASHER-M16 | 14 |
| 5 | Gas Valve Cover Plate | 6E005 | 1 |
| 6 | Bolt | BLT-M10-20 | 5 |
| 7 | Washer | WASHER-M10 | 5 |
| 8 | Under Spacer | 6E008-K | 2 |
| 9 | Back Spacer | 6E009-K | 1 |
| 10 | Chisel Holder Spacer | 6E010-K | 1 |
| 11 | Side Spacer | 6E011-K | 2 |
| 12 | Small Spacer | 6E012-K | 2 |
| 13 | Guide Plate | 6E012 | 1 |
| 14 | Guide Spacer | 6E014-K | 1 |
| 15 | Bolt | BLT-M20-90 | 2 |
| 16 | Washer | WASHER-M20 | 14 |
| 17 | Nut | NUT-M20 | 16 |
| 18 | Adjust Plate | 6E018-K & 6E019-K or 6E017 | 1 |
| 19 | Top Cover | | |
| 20 | Bolt | BLT-M20-65 | 12 |
| 21 | Cover Plate | 6E021-K | 1 |
| 22 | Top Cover | 6E022-K | 2 |
| 23 | Assembled Localizer | 6E023-K | 2 |
| 24 | Bracket Pin | Per Machine Model | 2 |
| 25 | Bracket Pin Stopper | Upon Request | 2 |
| 26 | Bracket Bush | Per Machine Model | 4 |
| 27 | Bracket Ring | Upon Request | 2 |
| 28 | Grease Nipple | N/A | 2 |
| 29 | Bolt | Upon Request | 2 |
| 30 | Washer | Upon Request | 2 |
| 31 | H.T. Nut | Upon Request | 2 |
| 32 | U Nut | Upon Request | 2 |
| 33 | Top Cap | Per Machine Model | 1 |