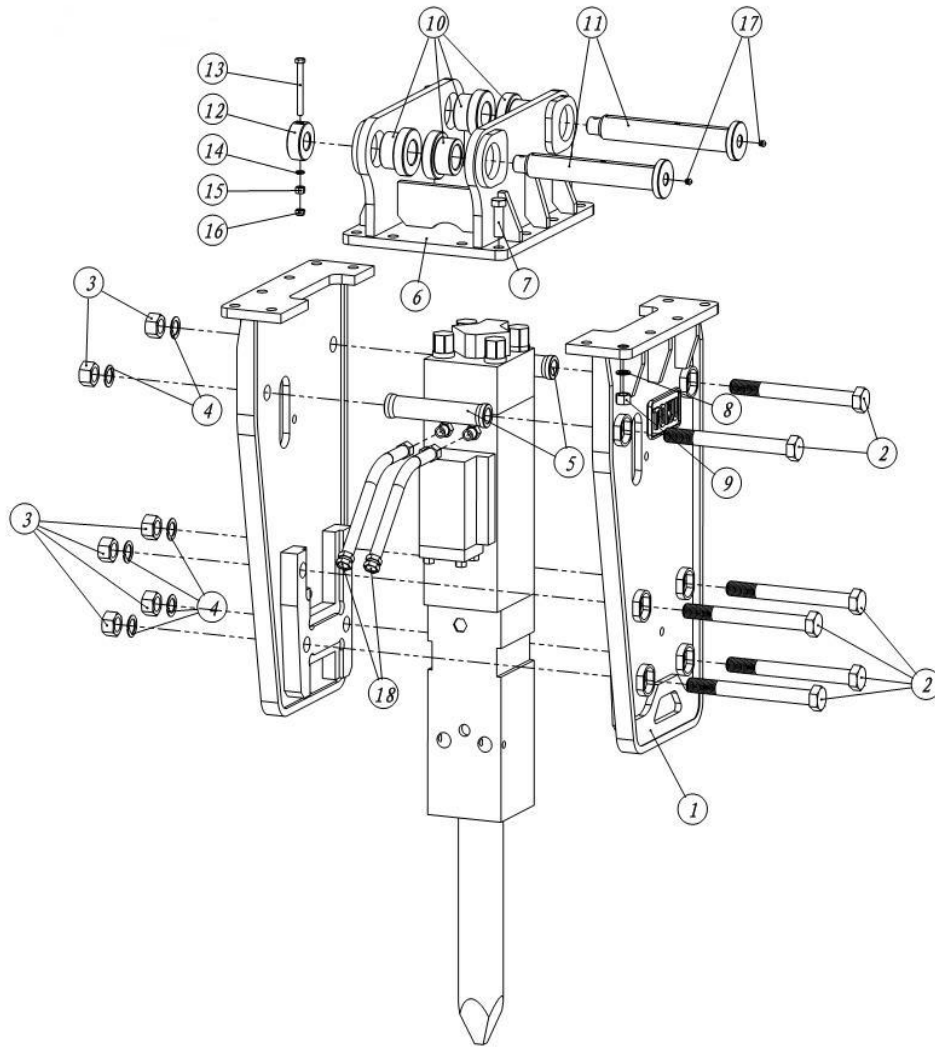


## TNB-6E 2PC TOP MOUNT BRACKET



NO.	DESCRIPTION	PART CODE.	QUANTITY
1	FLANGE BRACKET	BKT-6E-FL	1 SET
2	BRACKET BOLT [M30*300]	BLT-M30-300	6
3	BRACKET BOLT NUT [M30]	NUT-M30-LN	6
4	BRACKET BOLT WASHER [M30]	N/A	6
5	SPACER	Upon Request	2
6	TOP CAP	Per Machine Model	1
7	H.T BOLT [M20*65]	BLT-M20-65	12
8	WASHER [M20]	WASHER-M20	12
9	H.T NUT [M20]	NUT-M20	12
10	TOP CAP BUSHING	N/A	4
11	TOP CAP PIN	N/A	2
12	BRACKET RING	N/A	2
13	H.T BOLT [M12*110]	Upon Request	2
14	WASHER [M12]	Upon Request	2
15	H.T NUT [M12]	Upon Request	2
16	U NUT [M12]	Upon Request	2
17	GREASE NIPPLE	N/A	2
18	HOSE	SGH-2119	2