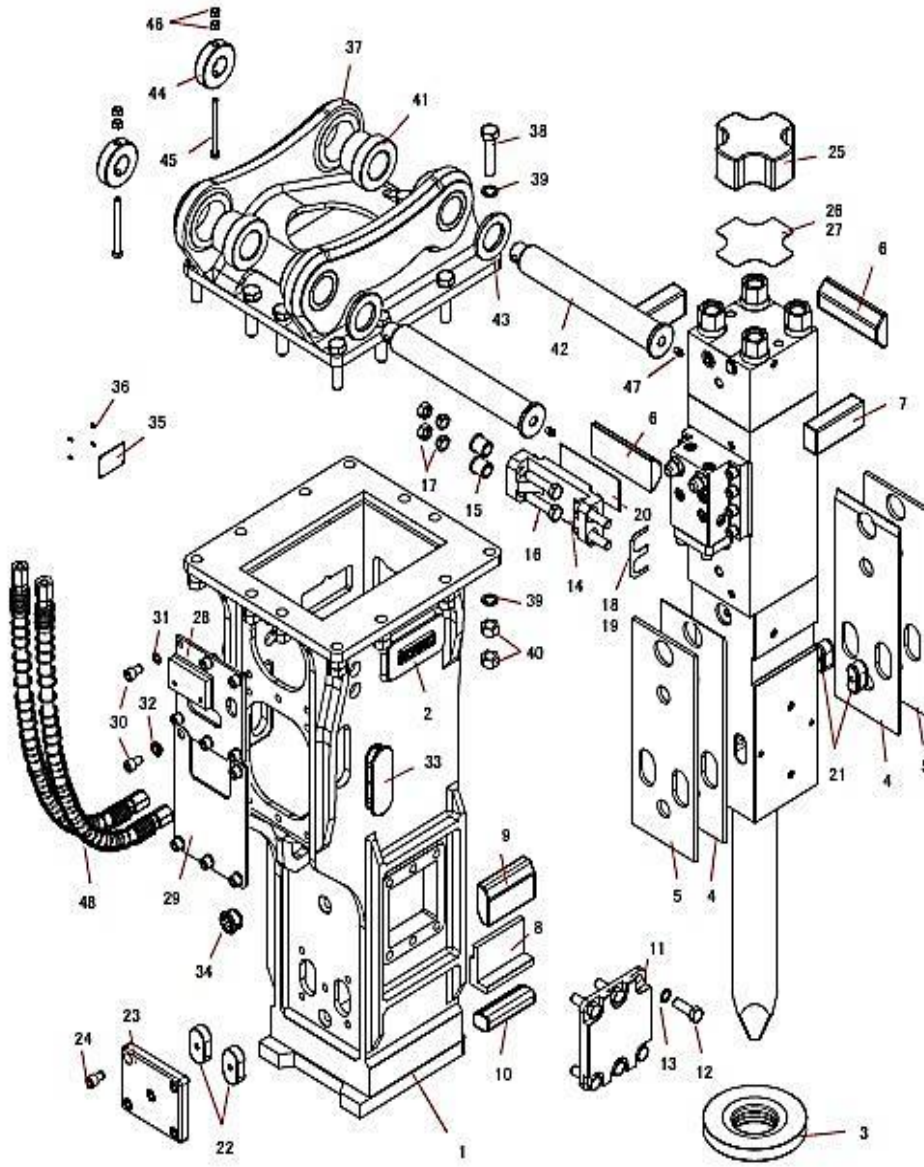


TNB-7J TOP MOUNT BOX BRACKET CP



| NO. | DESCRIPTION | PART CODE. | QUANTITY |
|-----|------------------------|-----------------|----------|
| 1 | TOP MOUNT BOX BRACKET | BKT-7J | 1 |
| 3 | PROTECTOR F | 7JJ003 | 1 |
| 4 | ISOLATOR FR | 7JJ004 | 2 |
| 5 | SPCER FR | 7JJ005 | 2 |
| 6 | ISOLATOR TFR | 7JJ006 | 2 |
| 7 | ISOLATOR TLR | 7JJ007 | 2 |
| 8 | KEY | 7JJ008 | 2 |
| 9 | ISOLATOR SLR | 7JJ009 | 2 |
| 10 | ISOLATOR ULR | 7JJ010 | 2 |
| 11 | KEY COVER | 7JJ011 | 2 |
| 12 | H.T BOLT [M20x60] | BLT-M20-60 | 12 |
| 13 | SPRING WASHER [M20] | WASHER-M20 | 12 |
| 14 | GUIDE PLATE | 7JJ014 | 1 |
| 15 | GUIDE BUSH | 7JJ015 | 4 |
| 16 | H.T BOLT [M20x90] | BLT-M20-90 | 4 |
| 17 | H.T NUT [M20] | NUT-M20 | 4 |
| 18 | GUIDE PLATE SIM 0.5 | 7JJ018 | 1 |
| 19 | GUIDE PLATE SIM 1.0 | 7JJ019 | 1 |
| 20 | SIM G 2.0 | 7JJ020 | 1 |
| 21 | RETAINER ISOLATOR B | 7JJ021 | 2 |
| 22 | RETAINER ISOLATOR A | 7JJ022 | 2 |
| 23 | RETAIERN PIN COVER PLA | 7JJ023 | 1 |
| 24 | SHCS BOLT [M16x25] | BLT-M16-25-SH | 5 |
| 25 | ISOLATOR | 7JJ025 | 1 |
| 26 | ISOLATOR T SIM 1.0 | 7JJ026 | 1 |
| 27 | ISOLATOR T SIM 2.0 | 7JJ027 | 1 |
| 28 | COVER A | 7JJ028 | 1 |
| 29 | COVER B | 7JJ029 | 1 |
| 30 | SHCS BOLT [M16x25] | BLT-M16-25-SH | 11 |
| 31 | SPRING WASHER [M16] | WASHER-M16 | 6 |
| 32 | SLEEVE WASHER | 7JJ032 | 5 |
| 33 | SIDE PLUG | 151029 | 2 |
| 34 | BRACKET PLUG 40 | 7JJ034 | 1 |
| 37 | TOP CAP BRACKET | PER MACH. MODEL | 1 |
| 38 | H.T BOLT [M24-100] | BLT-M24-100 | 12 |
| 39 | SPRING WASHER [M24] | WASHER-M24 | 24 |
| 40 | H.T NUT [M24] | NUT-M24 | 24 |
| 41 | BRACKET BUSH | PER MACH. MODEL | 4 |
| 42 | BRACKET PIN | PER MACH. MODEL | 2 |
| 43 | BRACKET PIN STOPPER | UPON REQUEST | 2 |
| 44 | BRACKET RING | UPON REQUEST | 2 |
| 45 | BOLT | UPON REQUEST | 2 |
| 46 | NUT | UPON REQUEST | 4 |
| 47 | GREASE NIPPLE | UPON REQUEST | 2 |
| 48 | HOSE | SGH-2119 | 2 |