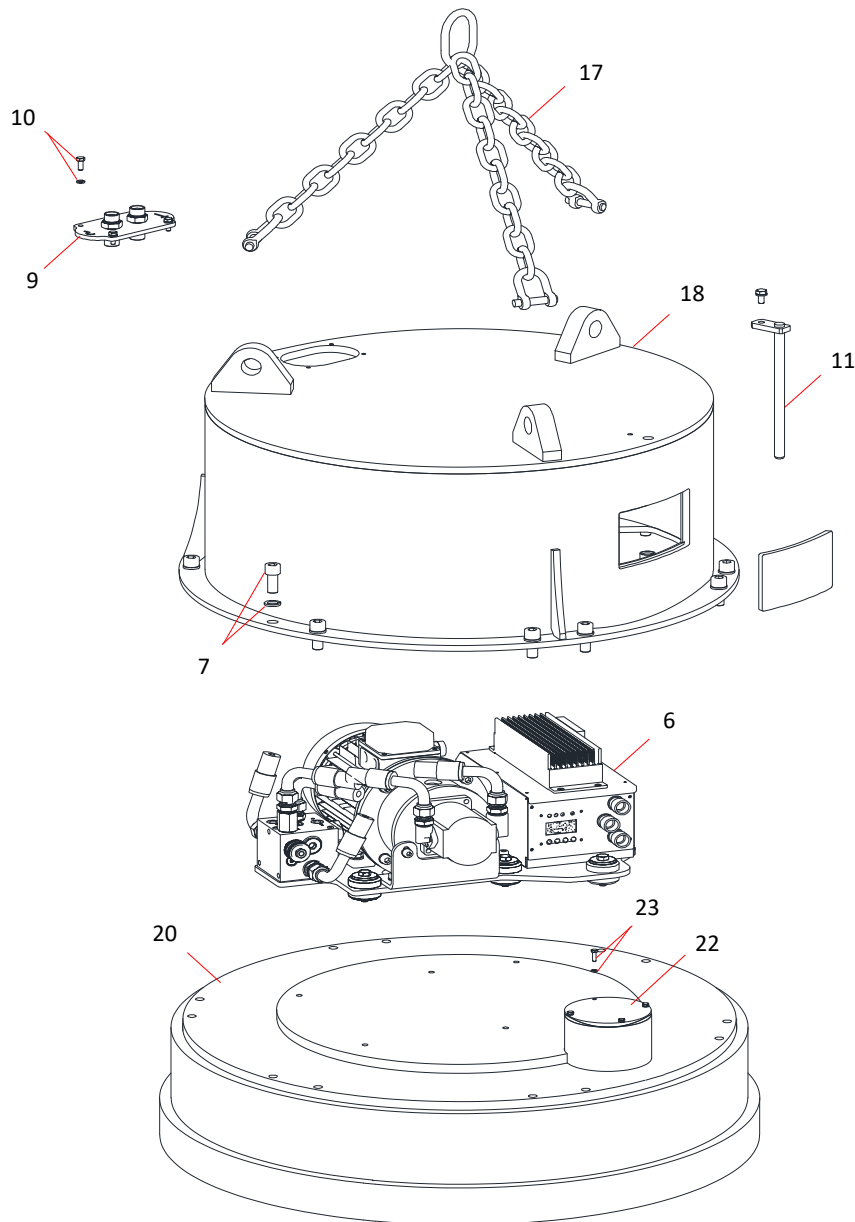


# AM 114IP



POS.	Q,TY	PART No.	DESCRIPTION
6	1	GCM01A04	HYDRAULIC GENERATOR SET
7	1	KIT114V001	COVER SCREWS - SET OF 12
9	1	PSP-007-PT	PASS THROUGH PLATE
10	1	KIT114V002	PASS THROUGH PLATE SCREWS - SET OF 4
11	1	PRN_COP	COVER PIN
17	1	CAT_3B_126	3 LEGGED CHAIN
18	1	COP002C	MAGNET COVER WITH CHAIN
20	1	ROUND 114 BASE	ROUND MAGNETIC BASE
22	1	COP_U.C	CONNECTION SOCKET CAP
23	1	KIT114V003	SCREWS OF CONNECTION SOCKET CAP - SET OF 4