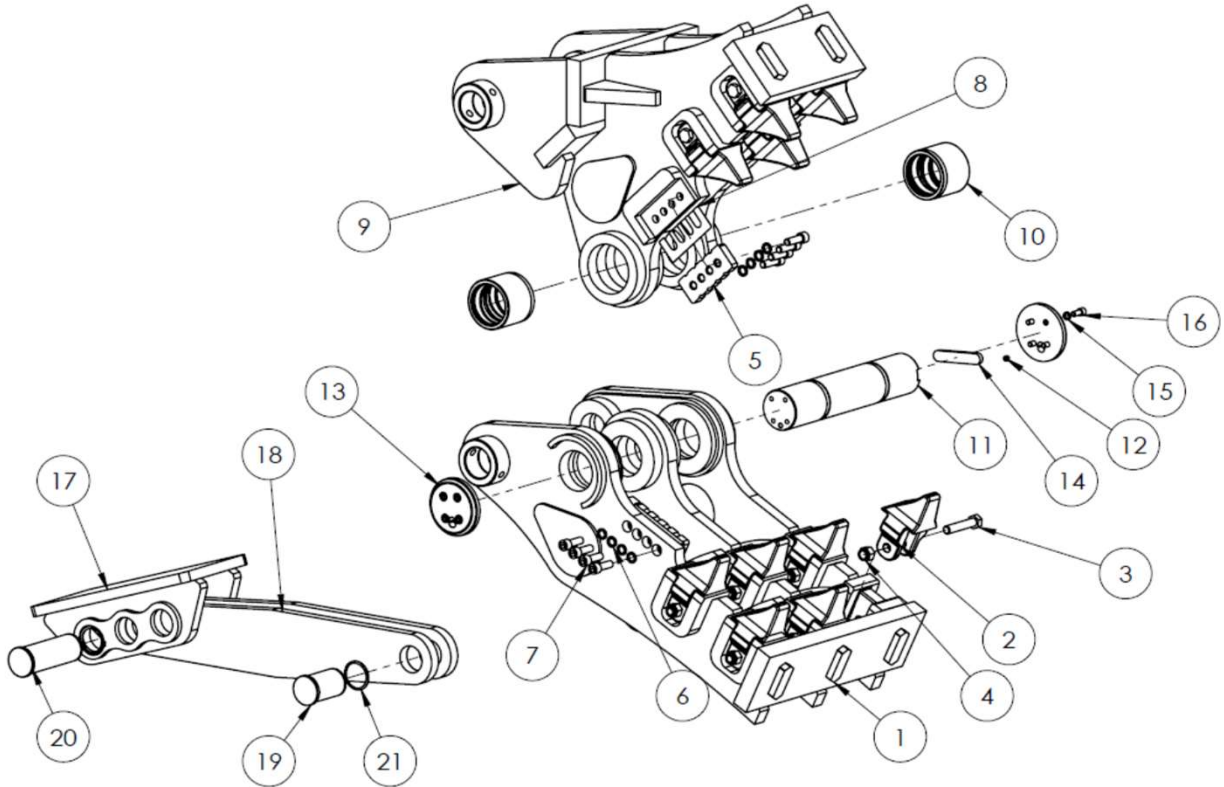


# FM25



POS.	Q,TY	PART No.	DESCRIPTION
1	1	41001300	FIXED JAW
2	10	40000500	TOOTH OSA TYPE 2
3	10	04001100	TE M24X120
4	10	07000300	LOCKNUT M24
5	2	21001900	BLADE
6	8	05001400	NORD-LOCK M20
7	8	04000800	TCEI M20X60
8	2	21001900_D_0.6	SHIM
9	1	41005200	MOBILE JAW
10	2	17001001	BUSH
11	1	16013000	PIN
12	2	25000200	GREASE FITTING
13	2	18000100	FLANGE
14	1	15000500	TAB
15	8	05001100	NORD-LOCK M14
16	8	04001200	TCEI M14X30
17	1	34000100	CONNECTING ROD SUPPORT
18	1	34000300	BIELLA
19	1	16023800	PIN
20	1	16023900	PIN
21	2	51000500	SEEGER