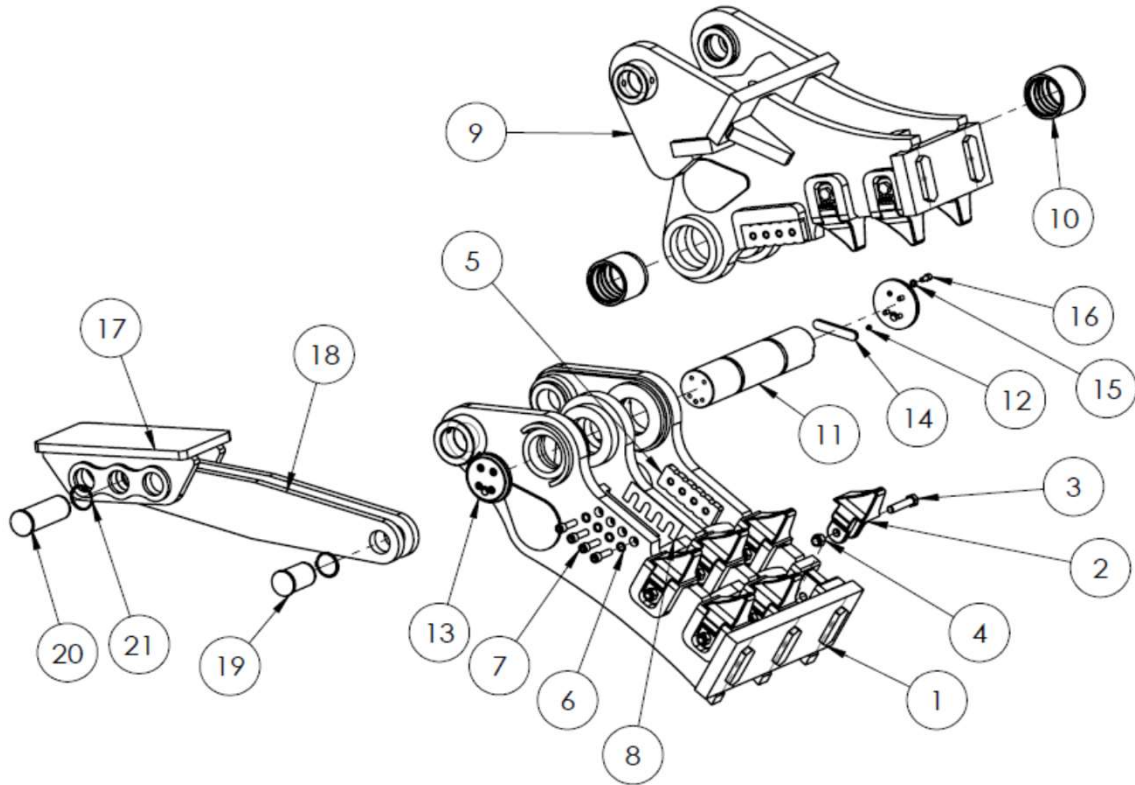


# FM30



POS.	Q,TY	PART No.	DESCRIPTION
1	1	41001400	FIXED JAW
2	10	40000500	TOOTH OSA TYPE 2
3	10	04001100	TE M24X120
4	10	07000300	LOCKNUT M24
5	2	21001800	BLADE
6	8	05001400	NORD-LOCK M20
7	8	04003900	TCEI M20X70
8	2	21001800_D_0.5	BLADE SHIM
9	1	41005300	MOBILE JAW
10	2	17002200	BUSH
11	1	16018800	PIN
12	2	25000200	GREASE FITTING
13	2	18000100	FLANGE
14	1	15000500	TAB
15	8	05001100	NORD-LOCK M14
16	8	04001200	TCEI M14X30
17	1	34000200	CONNECTING ROD SUPPORT
18	1	34000400	BIELLA
19	1	16023800	PIN
20	1	16023900	PIN
21	2	51000500	SEEGER