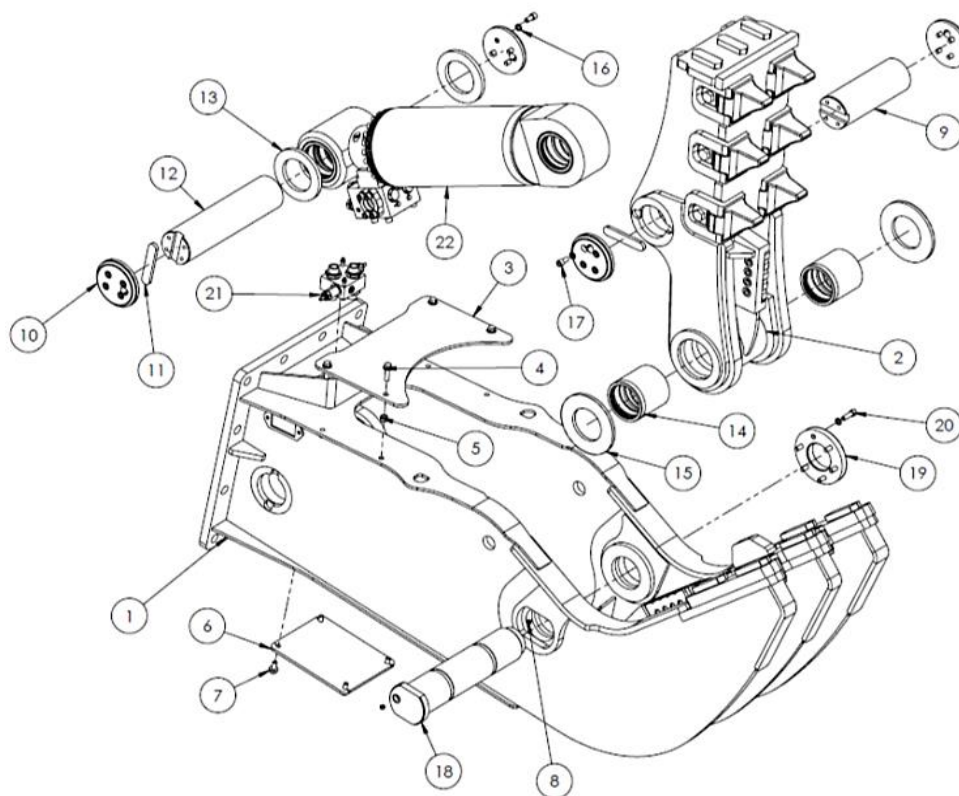
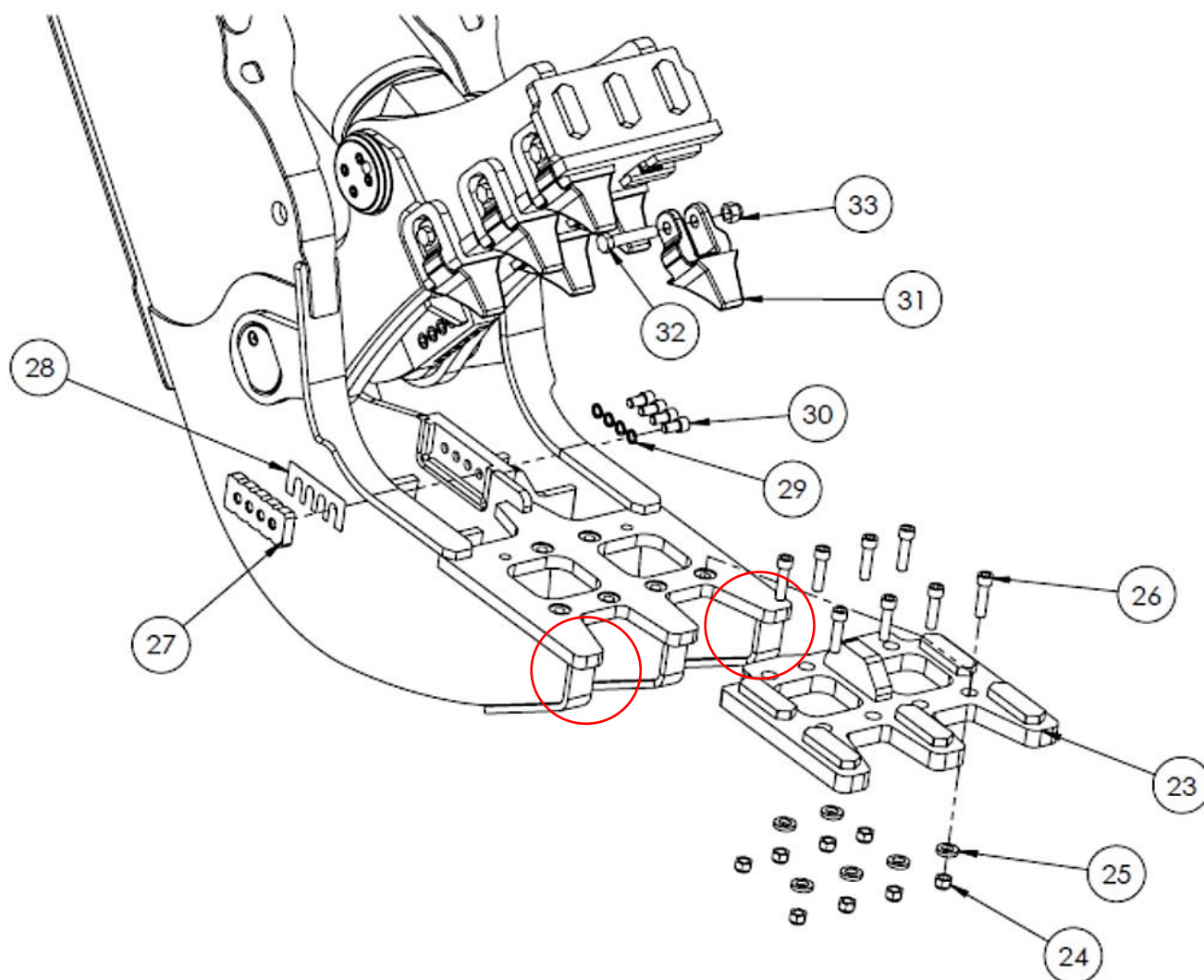


FPV20 EXPLODED VIEW



POS.	Q,TY	PART No.	DESCRIPTION
1	1	24000301	BODY
2	1	41000401	JAW
3	1	02003201	DOOR
4	4	04022000	TEF M14X50
5	4	07000700	LOCKNUT M14
6	1	02018200	DOOR
7	4	04019500	M14X30
8	4	25000200	GREASE FITTING
9	1	16000600	PIN
10	4	18000100	FLANGE
11	2	15000500	TAB
12	1	16000700	PIN
13	2	35003100	SPACER
14	2	17007800	BUSH
15	2	35004000	SPACER
16	22	05001100	NORD-LOCK M14
17	16	04001200	TCEI M14X30
18	1	16023000	PIN
19	1	18000200	FLANGE
20	6	04001500	TCEI M14X45
21	1	29002800	OVERCENTER VALVE
22	1	19000900	CYLINDER

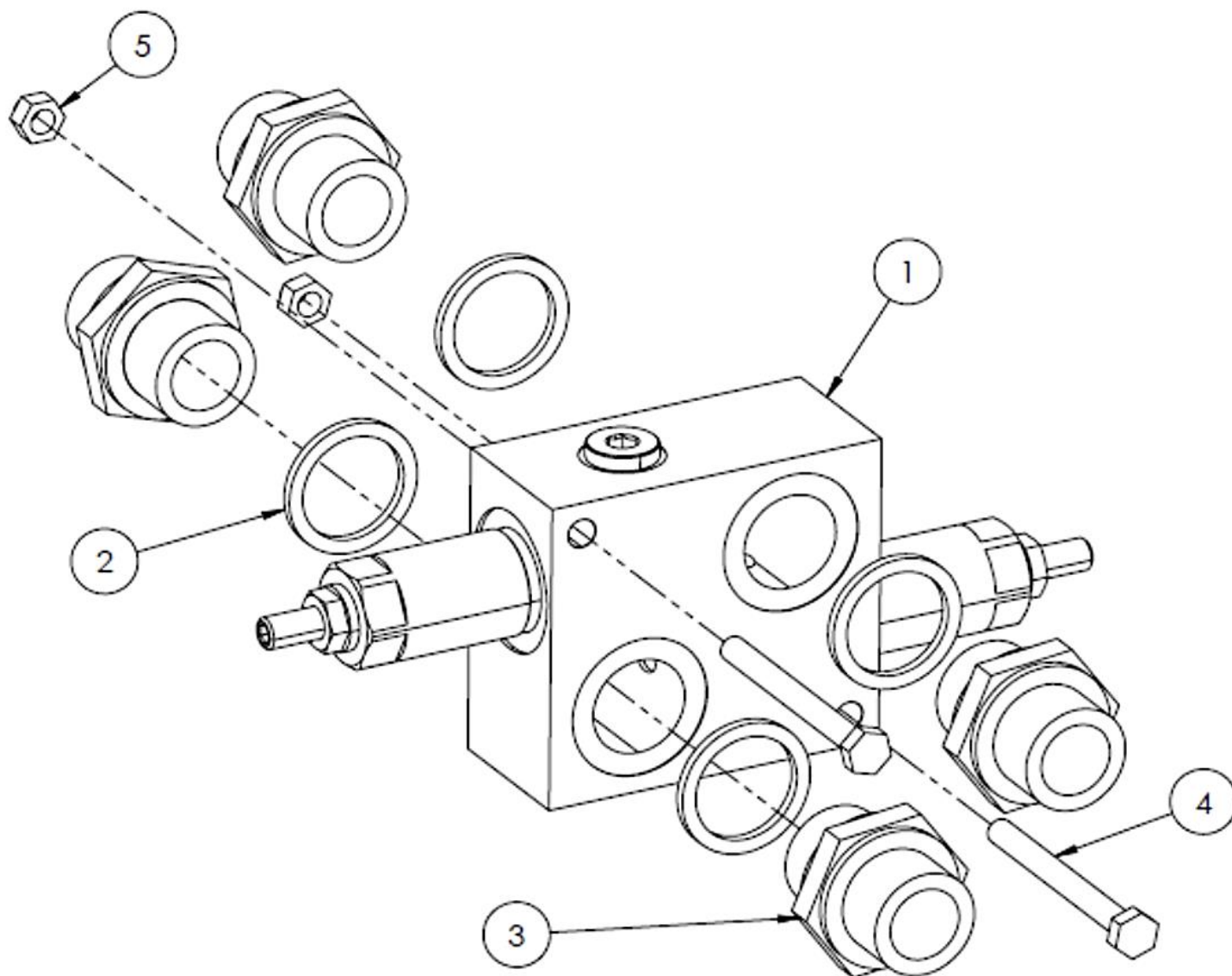
FPV20 EXPLODED VIEW



Nella versione corrente abbiamo la presenza di 2 denti aggiuntivi tipo 2 A nei punti indicati.
 In the current version there are 2 additional teeth of type 2A at the indicated point.

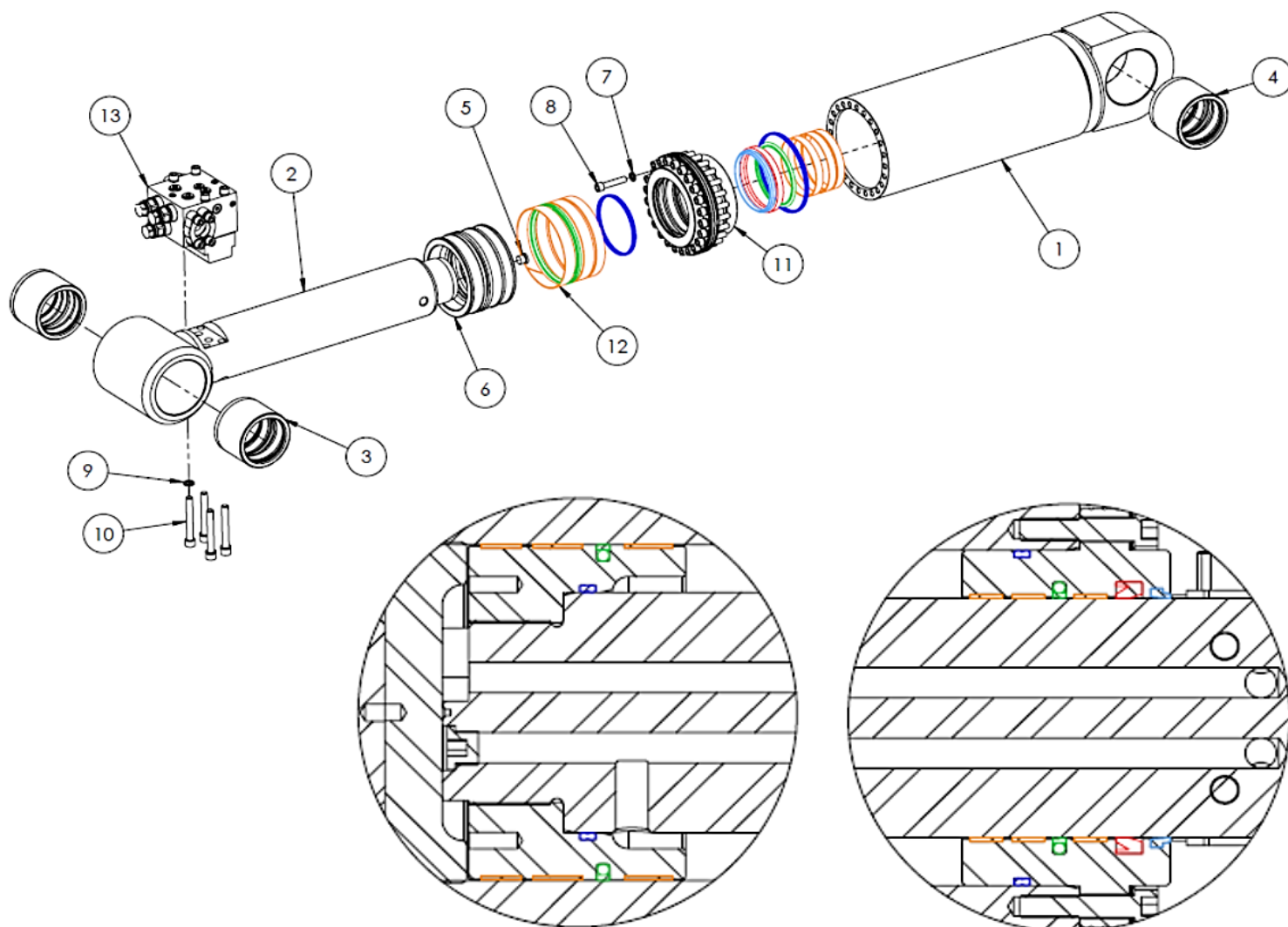
POS.	Q,TY	PART No.	DESCRIPTION
23	1	02019400	CRUSHER PLATE
24	8	07000200	LOCKNUT M20
25	6	05006200	WASHER
26	8	04004000	TCEI M20X80
27	2	21001900	BLADE
28	2	21001900_D_0.6	SHIM
29	8	05001400	NORD-LOCK M20
30	8	04004700	TCEI M20X35
31	6+2	40000500	TOOTH OSA TYPE 2
32	6+2	04001100	TE M24X120
33	6+2	07000300	LOCKNUT M24

FPV20 VALVE EXPLODED VIEW



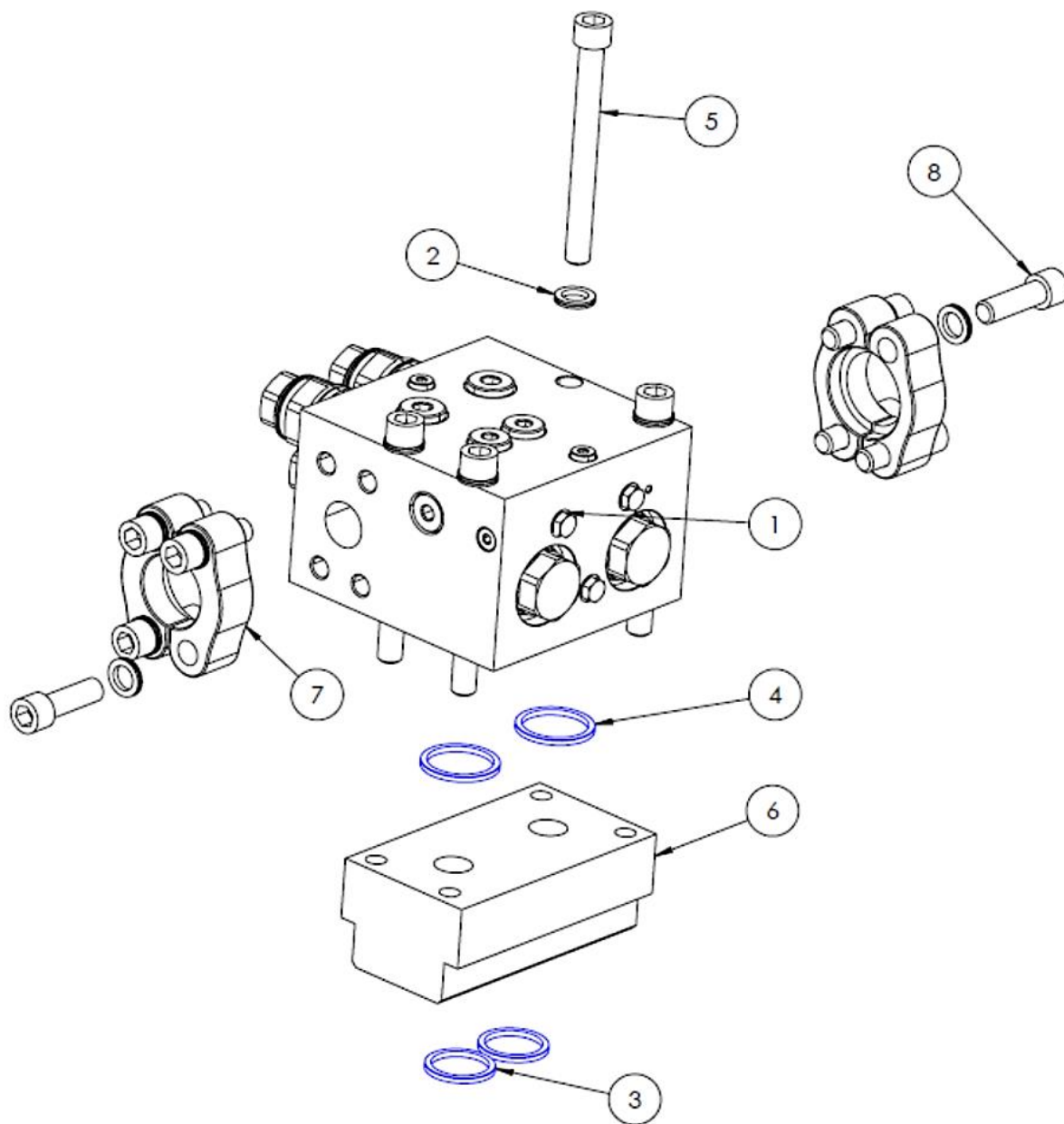
POS.	Q,TY	PART No.	DESCRIPTION
1	1	29000100	PRESSURE RELEIF VALVE
2	4	05000800	BONDED SEAL 1"
3	4	03000700	NIPLES 1" - 1"
4	2	04002100	TE M8X80
5	2	07000400	LOCKNUT M8

FPV20 CYLINDER EXPLODED VIEW



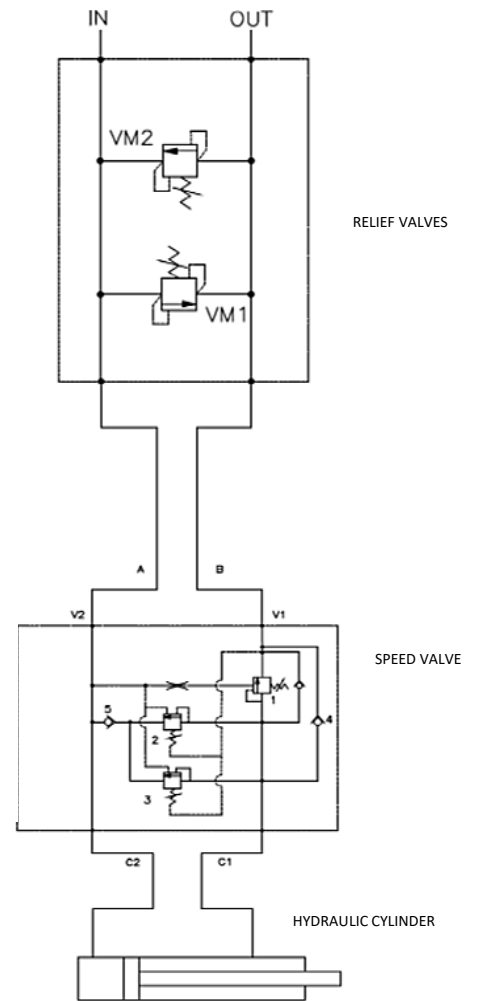
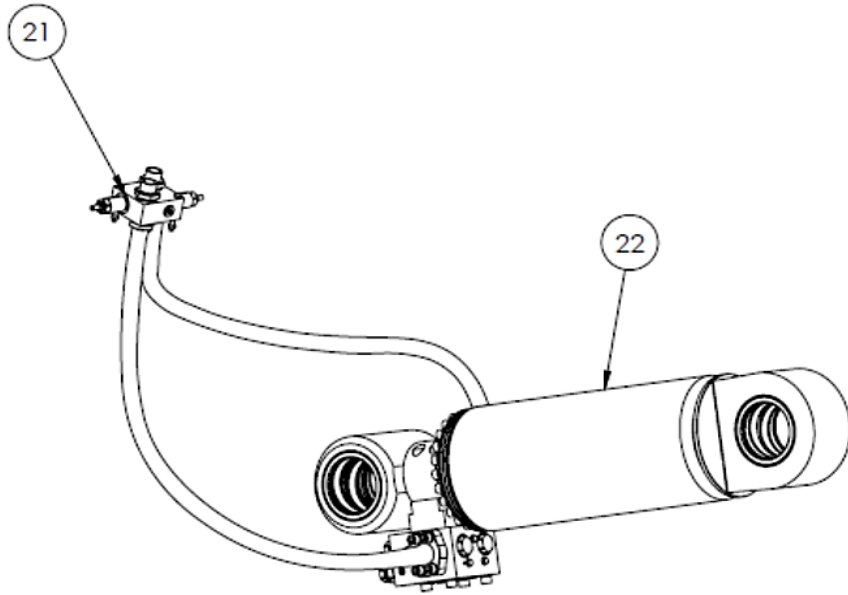
POS.	Q,TY	PART No.	DESCRIPTION
1	1	37001601	CYLINDER LINER
2	1	36001601	CYLINDER ROD
3	2	17001001	BUSH
4	1	17007700	BUSH
5	1	06001500	PLUG 1/2
6	1	38001100	CYLINDER PISTON
7	24	05001100	NORD-LOCK M14
8	24	04013901	TCEI M14X70
9	4	05001200	NORD-LOCK M16
10	4	04002900	TCEI M16X120
11	1	39001000	CYLINDER HEAD
12	1	14002800	SEALS CYLINDER KIT
13	1	29003100	SPEED VALVE

FPV20 SPEED VALVE EXPLODED VIEW



POS.	Q,TY	PART No.	DESCRIPTION
1	1	29000400	SPEED VALVE
2	12	05001100	NORD-LOCK M14
3	2	05000400	FACE SEAL 1"
4	2	05000500	FACE SEAL 1" 1-4"
5	4	04009700	TCEI M14X140
6	1	20000200	MANIFOLD
7	2	03001300	SEMIFLANGIA SAE 6000 1_1/4"
8	8	04001500	TCEI M14X45

FPV20 HYDRAULIC EXPLODED VIEW



POS.	Q,TY	PART No.	DESCRIPTION
21	1	29002800	OVERCENTER VALVE
22	1	19000900	CYLINDER