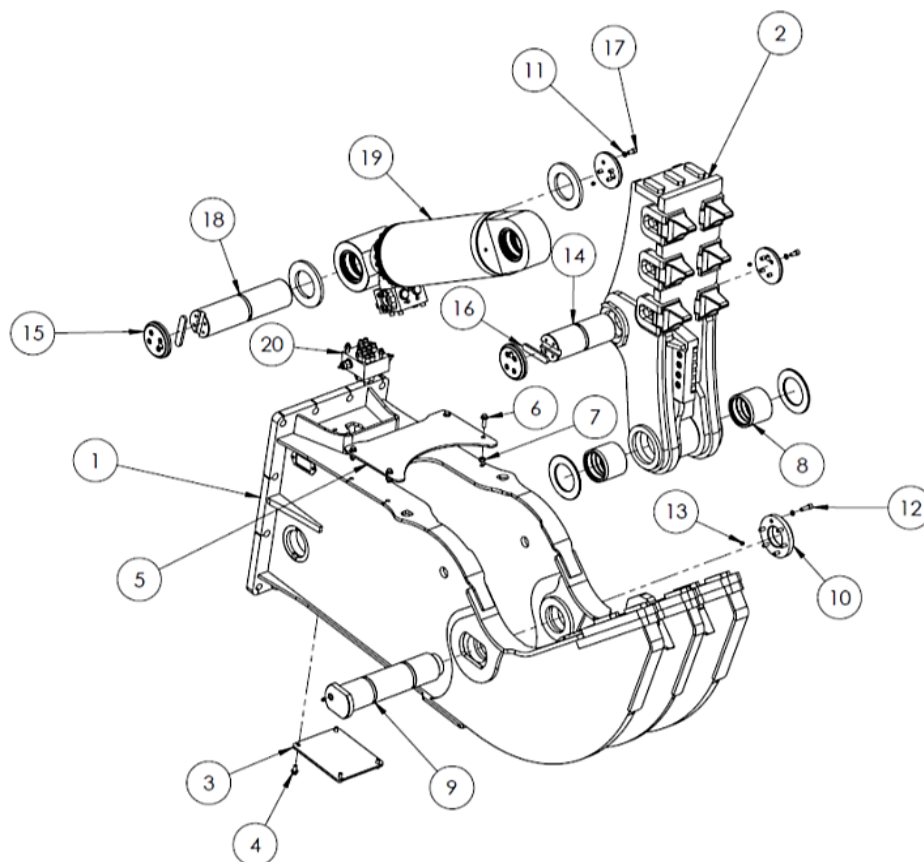
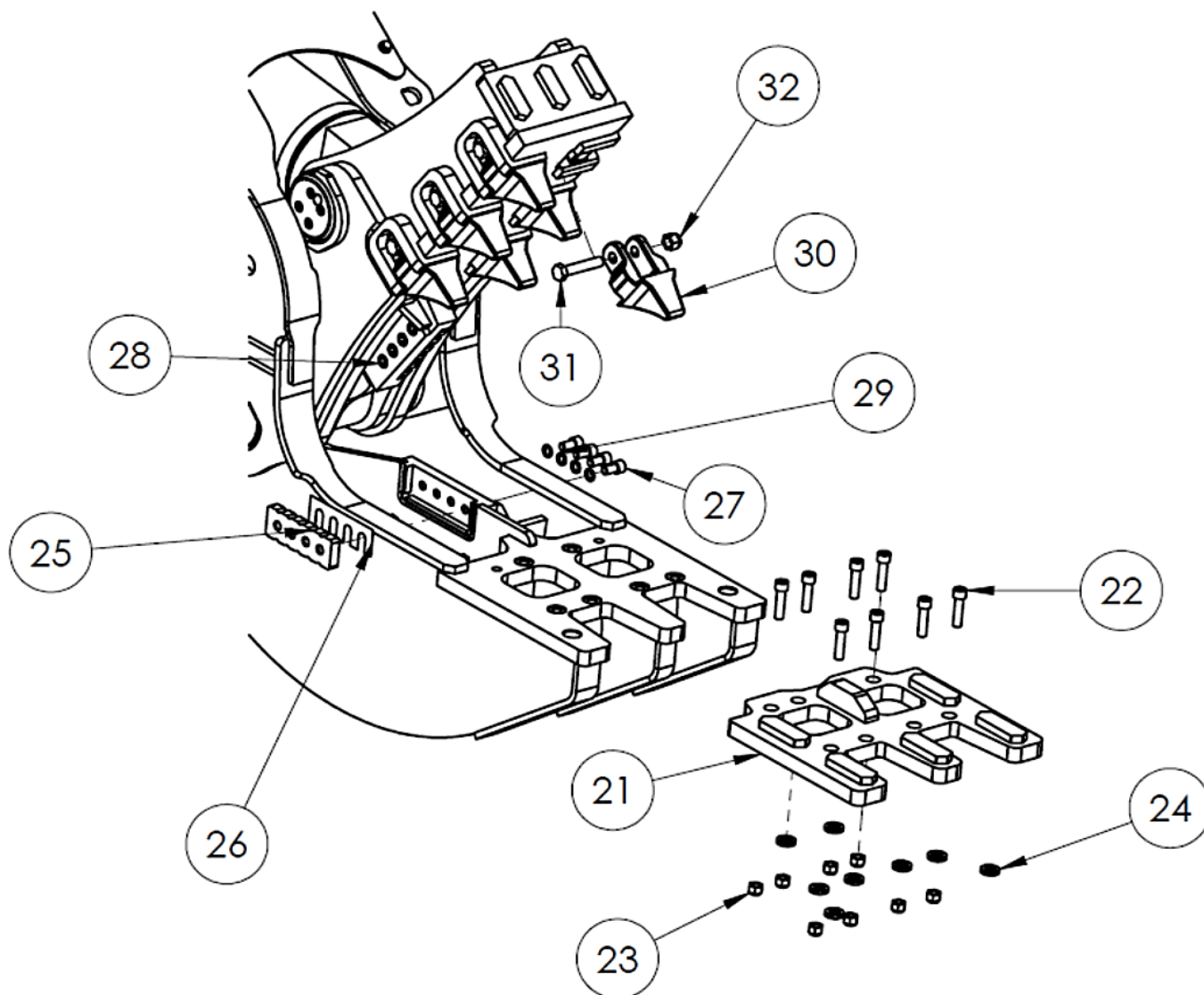


# FPV30 EXPLODED VIEW



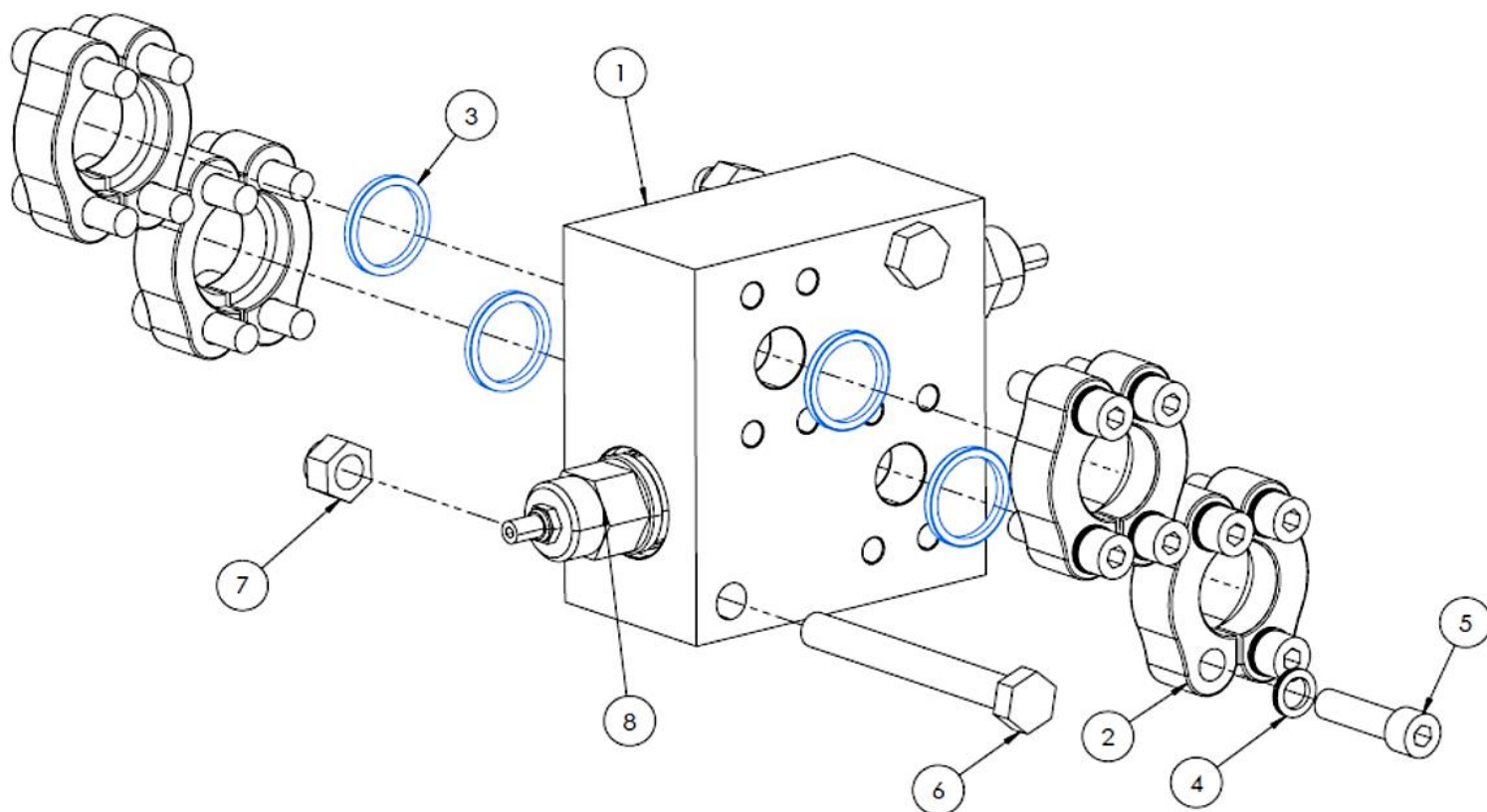
POS.	Q,TY	PART No.	DESCRIPTION
1	1	24000400	BODY
2	1	41000501	JAW
3	1	02018200	SHAPED DOOR
4	4	04019500	TEF M14X30
5	1	02003201	DOOR
6	4	04022000	TEF M14X50
7	4	07000700	LOCKNUT M14
8	2	17002200	BUSH
9	1	16002501	PIN
10	1	18000200	FLANGE
11	22	05001100	NORD-LOCK M14
12	6	04001500	TCEI M14X45
13	4	25000200	GREASE FITTING
14	1	16009500	PIN
15	4	18000100	FLANGE
16	2	15000500	TAB
17	16	04001200	TCEI M14X30
18	1	16009600	PIN
19	1	29003000	OVERCENTER VALVE "
20	1	19001000	CYLINDER

# FPV30 EXPLODED VIEW



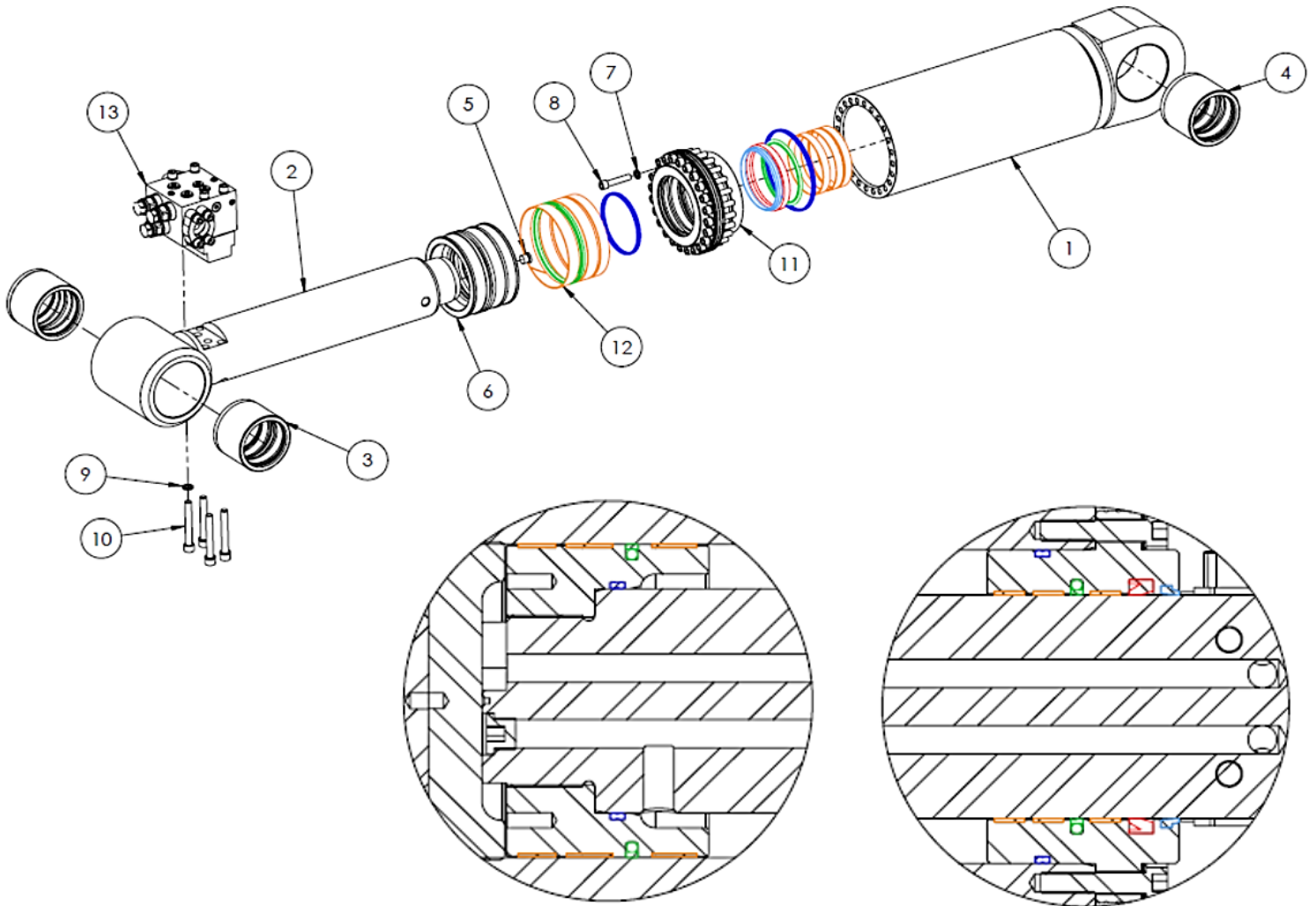
POS.	Q,TY	PART No.	DESCRIPTION
21	1	02020200	SPUR BLADE
22	8	04004000	TCEI M20X80
23	8	07000200	LOCKNUT M20
24	8	05006200	WASHER
25	2	21001800	BLADE
26	2	21001800_D_0.5	BLADE SHIM
27	4	04004700	TCEI M20X35
28	4	04000200	TCEI M20X50
29	8	05001400	NORD-LOCK M20
30	6	40000500	TOOTH OSA TYPE 2
31	6	04001100	TE M24X120
32	6	07000300	LOCKNUT M24

## FPV30 VALVE EXPLODED VIEW



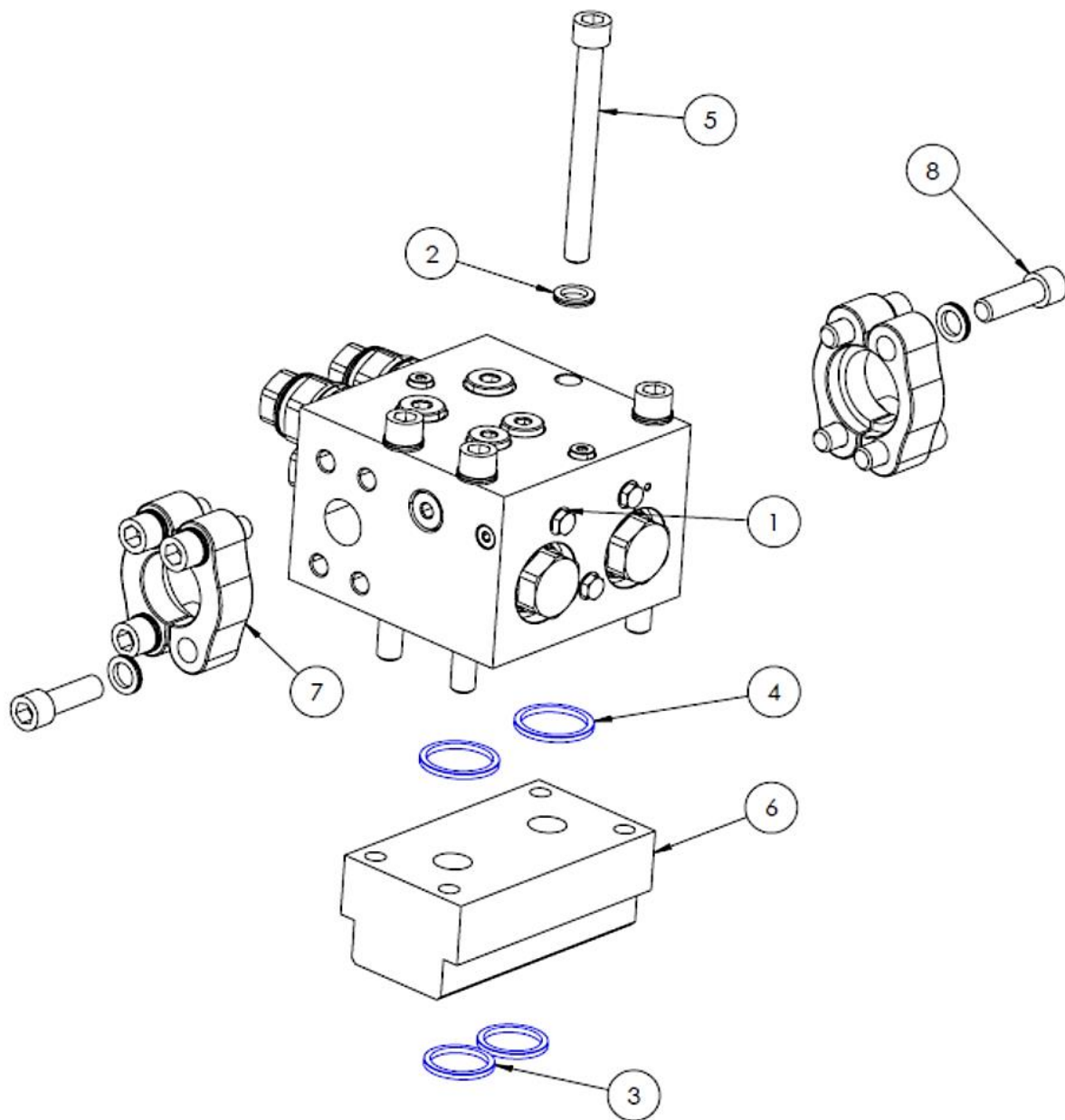
POS.	Q,TY	PART No.	DESCRIPTION
1	1	29000200	PRESSURE RELEIF VALVE
2	4	03001200	SEMIFANGIA SAE 6000 1"
3	4	05000400	FACE SEAL 1"
4	16	05001000	NORD-LOCK M12
5	16	04007800	TCEI M12X45
6	2	04022300	TE M14X120
7	2	07000700	LOCKNUT M14
8	2	10000100	CARTRIDGE

# FPV30 CYLINDER EXPLODED VIEW



POS.	Q,TY	PART No.	DESCRIPTION
1	1	37002909	CYLINDER LINER
2	1	36002400	CYLINDER ROD
3	2	17001300	BUSH
4	1	17002200	BUSH
5	1	06001500	PLUG 1/2
6	1	38001200	CYLINDER PISTON
7	24	05001100	NORD-LOCK M14
8	24	04013901	TCEI M14X70
9	4	05001200	NORD-LOCK M16
10	4	04002900	TCEI M16X120
11	1	39001100	CYLINDER HEAD
12	1	14002700	SEALS CYLINDER KIT
13	1	29003100	SPEED VALVE

# FPV30 SPEED VALVE EXPLODED VIEW



POS.	Q,TY	PART No.	DESCRIPTION
1	1	29000400	SPEED VALVE
2	12	05001100	NORD-LOCK M14
3	2	05000400	FACE SEAL 1"
4	2	05000500	FACE SEAL 1" 1-4"
5	4	04009700	TCEI M14X140
6	1	20000200	MANIFOLD
7	2	03001300	SEMIFLANGIA SAE 6000 1_1/4"
8	8	04001500	TCEI M14X45

