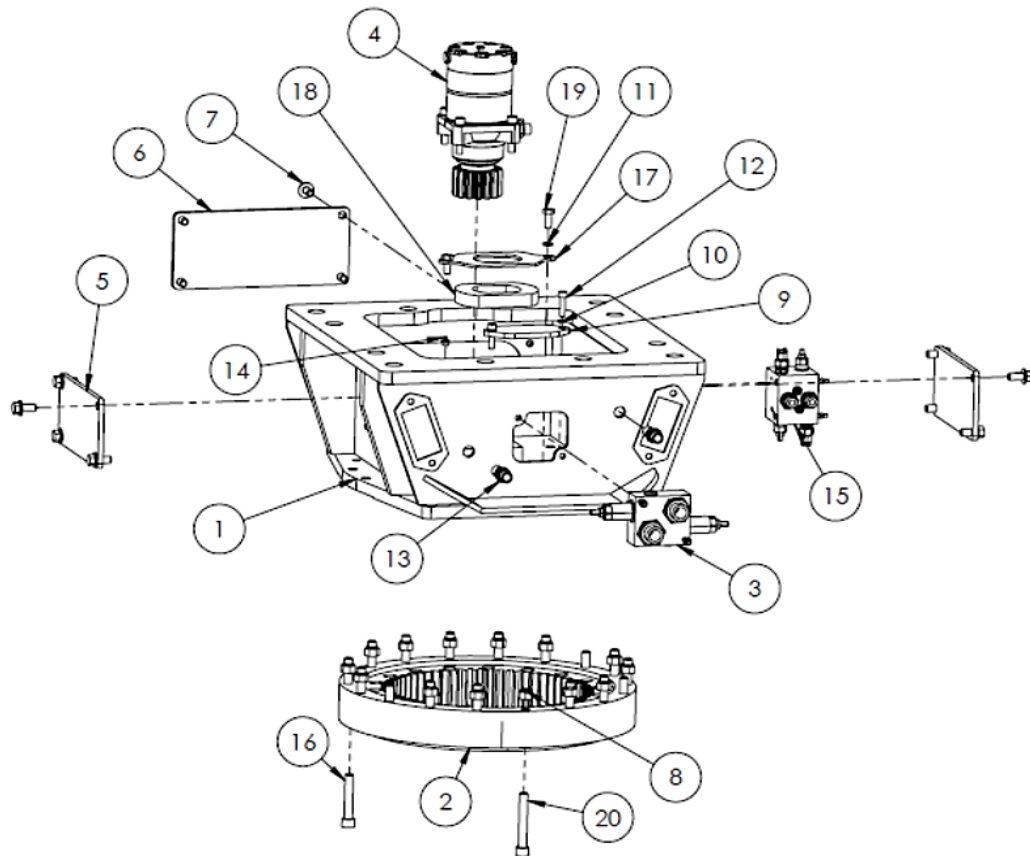
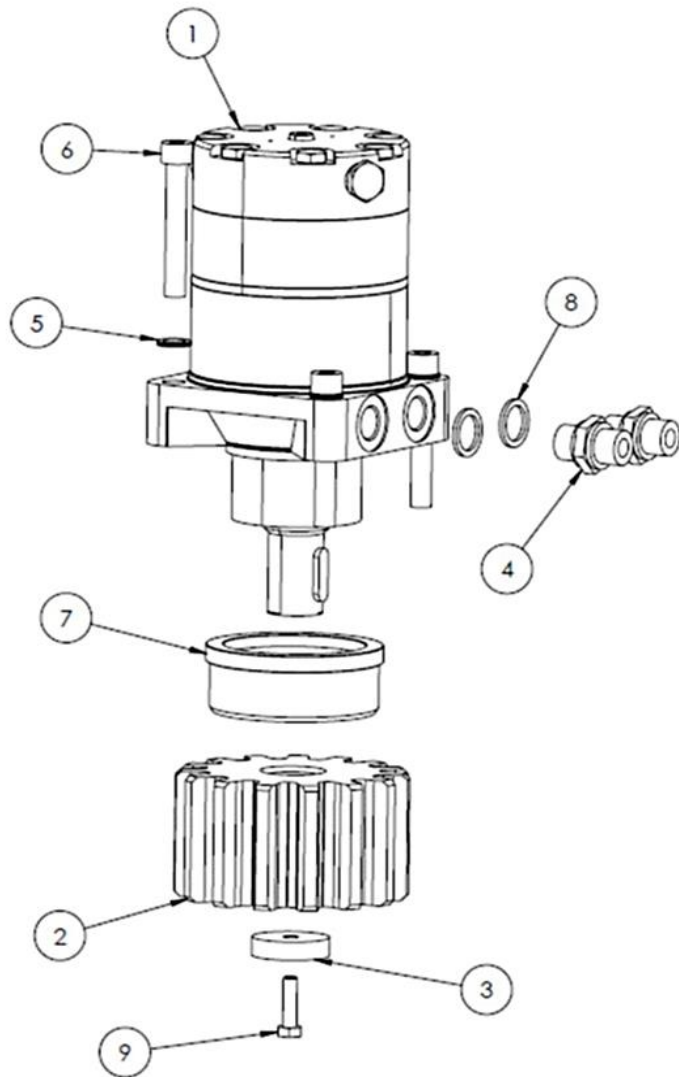


# GR10 ROTATION EXPLODED VIEW



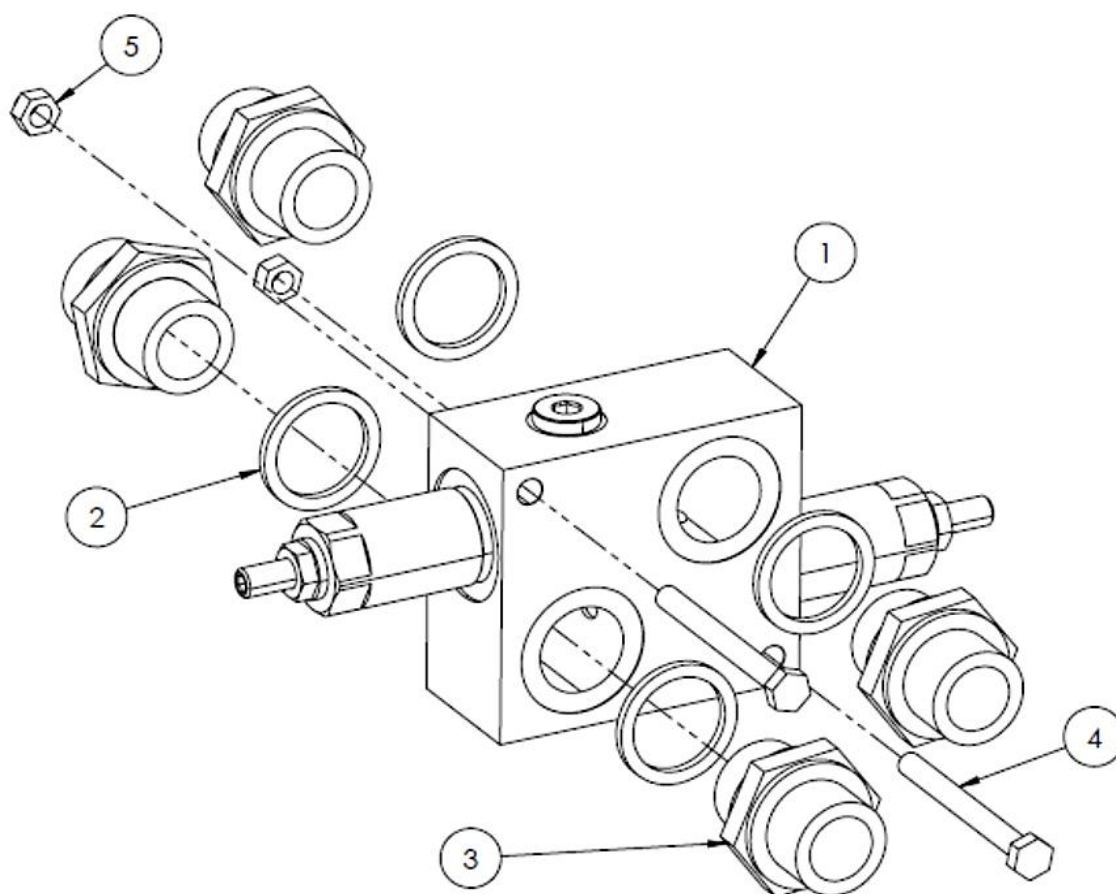
POS.	Q,TY	PART No.	DESCRIPTION
1	1	13000100	ROTATION BOX
2	1	27000800	BEARING
3	1	29002800	OVERCENTER VALVE
4	1(2)	01001101	ENGINE
5	2	02017000	INSPECTION DOOR
6	1	02017100	INSPECTION DOOR
7	12	04019500	TEF M14X30
8	14	07000800	LOCKNUT M16
9	1	02004300	INSPECTION DOOR
10	2	05000900	NORD-LOCK M10
11	2	05001000	NORD-LOCK M12
12	2	04019700	TCEI M10X40
13	2	03002500	BULKHEAD FITTING 1/2"
14	1	25000200	GREASE FITTING
15	1	29002900	CONTROL ROTATION VALVE
16	4	04001900	TCEI M16X90
17	1	02019600	ADAPTER PLATE
18	1	02019500	JOINT ADAPTER
19	2	04023500	TE M12X30
20	14	04001700	TCEI M16X110

# GR10 MOTOR EXPLODED VIEW



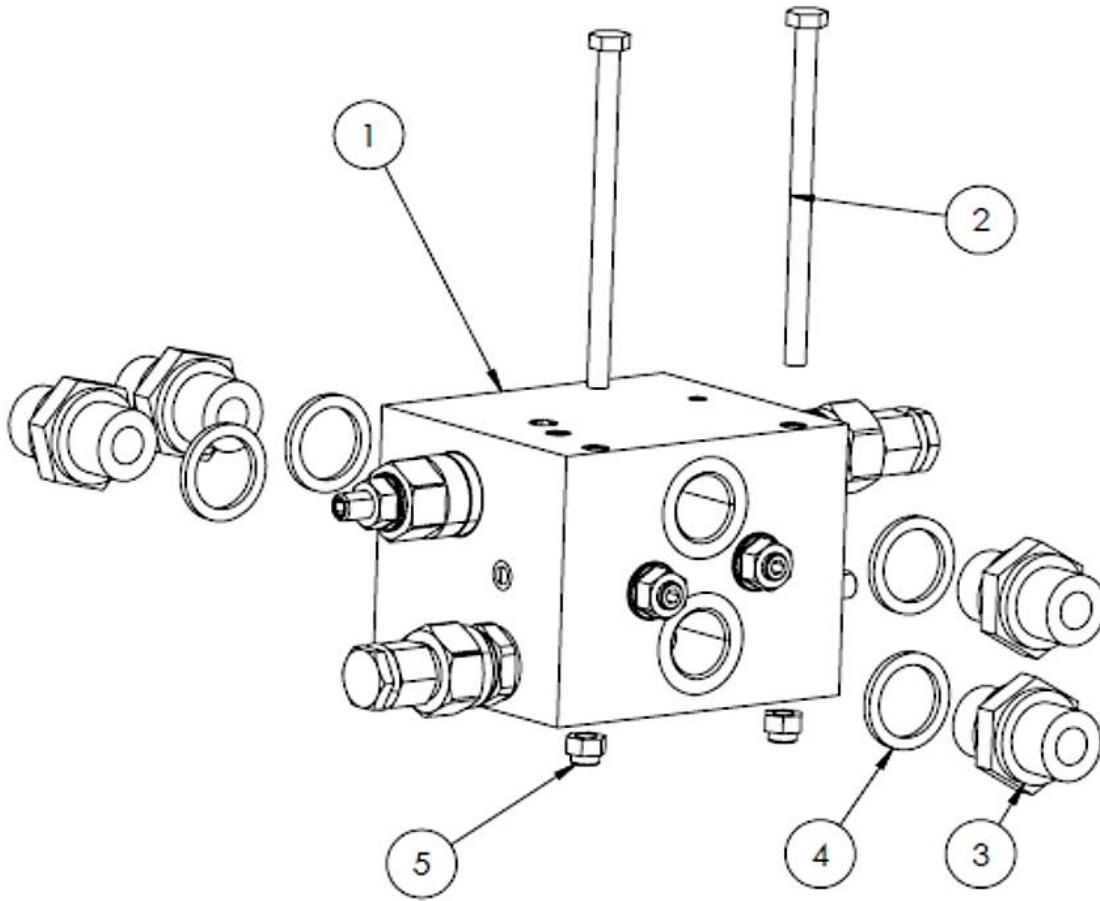
POS.	Q,TY	PART No.	DESCRIPTION
1	1	01001500	ENGINE 3.0
2	1	01001600	SPROCKET
3	1	05005600	SPROCKET WASHER
4	2	03000500	NIPLES 1/2"-1/2"
5	4	05001000	NORD-LOCK M12
6	4	04019300	TCEI M12X80
7	1	17006900	MOTOR BUSHING
8	2	05000600	BONDED SEAL 1/2"
9	1	04022100	TE M8X30
-	1	14003500	SEALS KIT

# GR10 VALVE EXPLODED VIEW 1



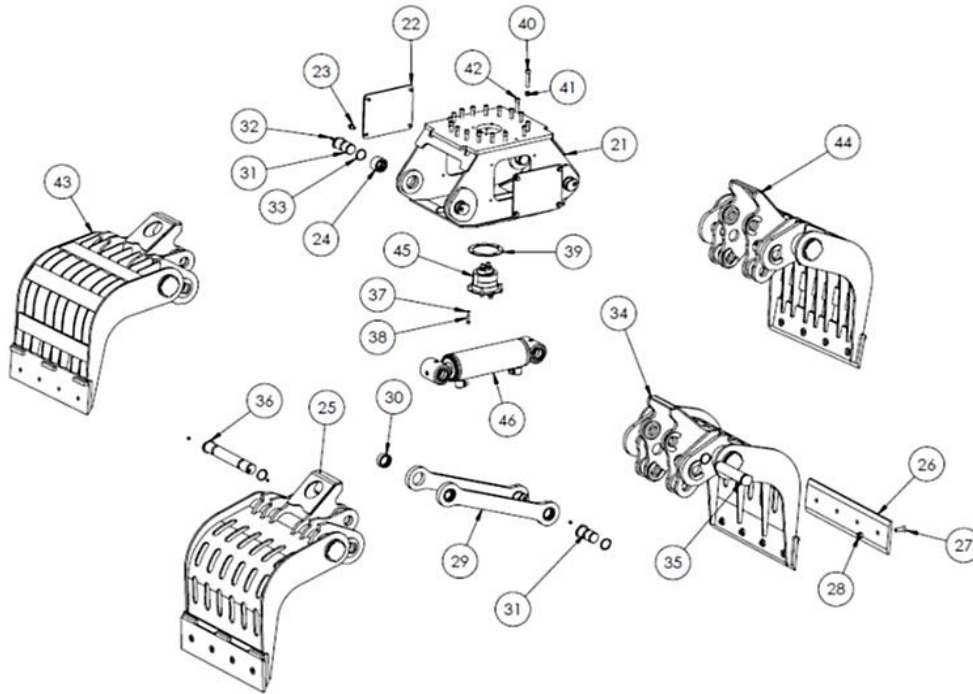
POS.	Q,TY	PART No.	DESCRIPTION
1	1	29000100	PRESSURE RELEIF VALVE
2	4	05000800	BONDED SEAL 1"
3	4	03000700	NIPLES 1" - 1"
4	2	04002100	TE M8X80
5	2	07000400	LOCKNUT M8

# GR10 VALVE EXPLODED VIEW 2



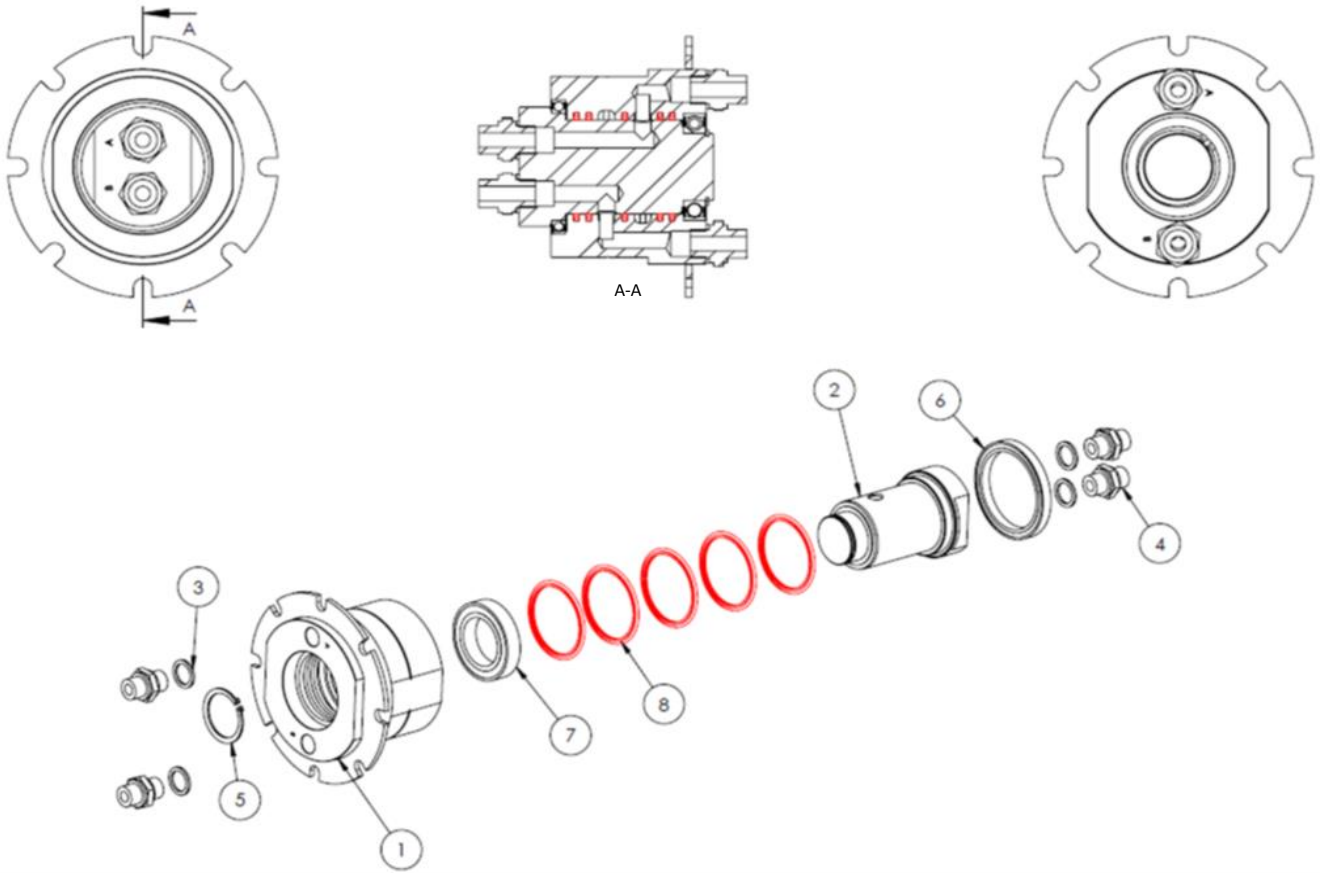
POS.	Q,TY	PART No.	DESCRIPTION
1	1	29001701	ROTATION CONTROL VALVE
2	2	04020300	TE M6X100
3	4	03000500	NIPLES 1/2"-1/2"
4	4	05000600	BONDED SEAL 1/2"
5	2	07002100	LOCKNUT M6

# GR10 BODY EXPLODED VIEW



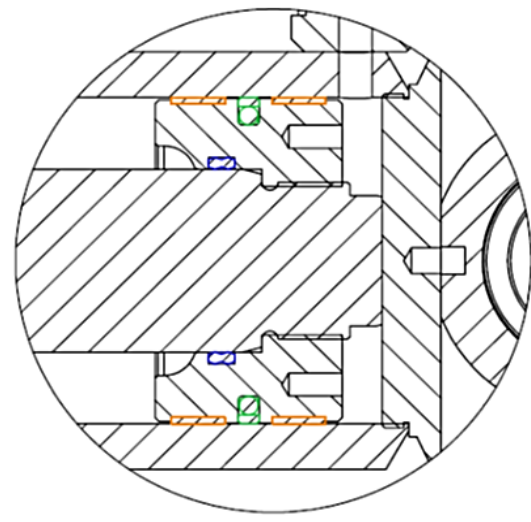
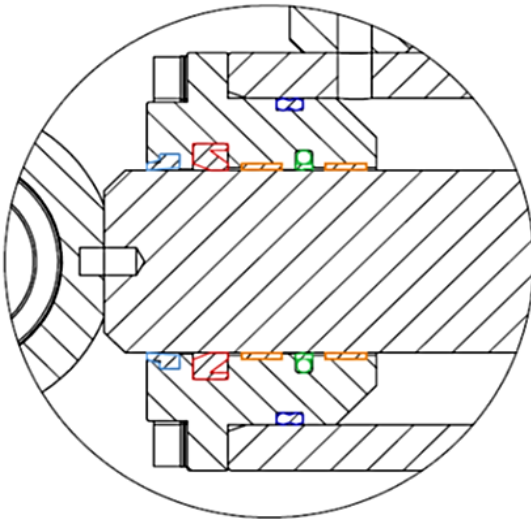
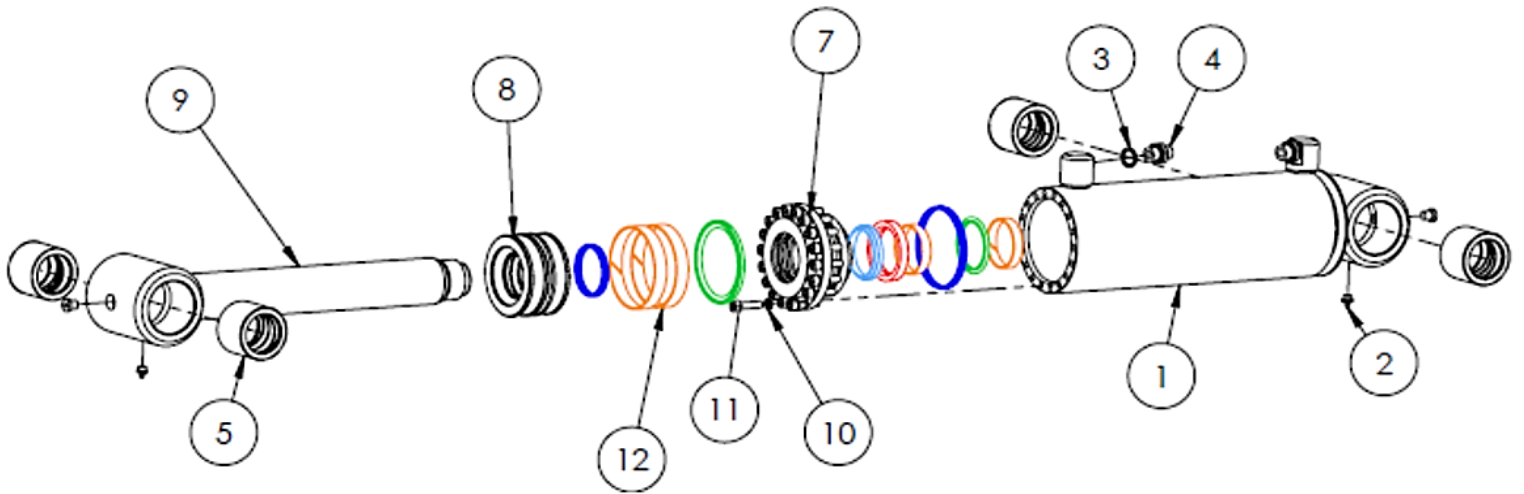
POS.	Q.TY	PART No.	DESCRIPTION
21	1	24004900	BODY
22	2	02018200	SHAPED DOOR
23	8	04019500	TEF M14X30
24	4	17000500	BUSH
25	1	23001104	SELECTION JAW DX
26	2	21011800	BLADE
27	8	04014900	TS M20X60
28	8	07000200	LOCKNUT M20
29	2	52000400	ROD
30	4	17002900	BUSH
31	6	16010601	PIN
32	8	25000200	GREASE FITTING
33	8	51000200	SEGER
34	1	23001103	JAW SELECTION DX
35	1	16020300	PIN
36	1	16021100	PIN
37	4	05001000	NORD-LOCK M12
38	4	04001400	TCEI M12X40
39	1	02020900	JOINT FLANGE
40	14	04001900	TCEI M16X90
41	14	07000800	LOCKNUT M16
42	4	04021900	TCEI M16X70
43	1	23001102	DEMOLITION JAW SX
44	1	23001101	DEMOLITION JAW DX
45	1	12000600	JOINT 1/2"
46	1	19004400	CYLINDER

# GR10 JOINT EXPLODED VIEW



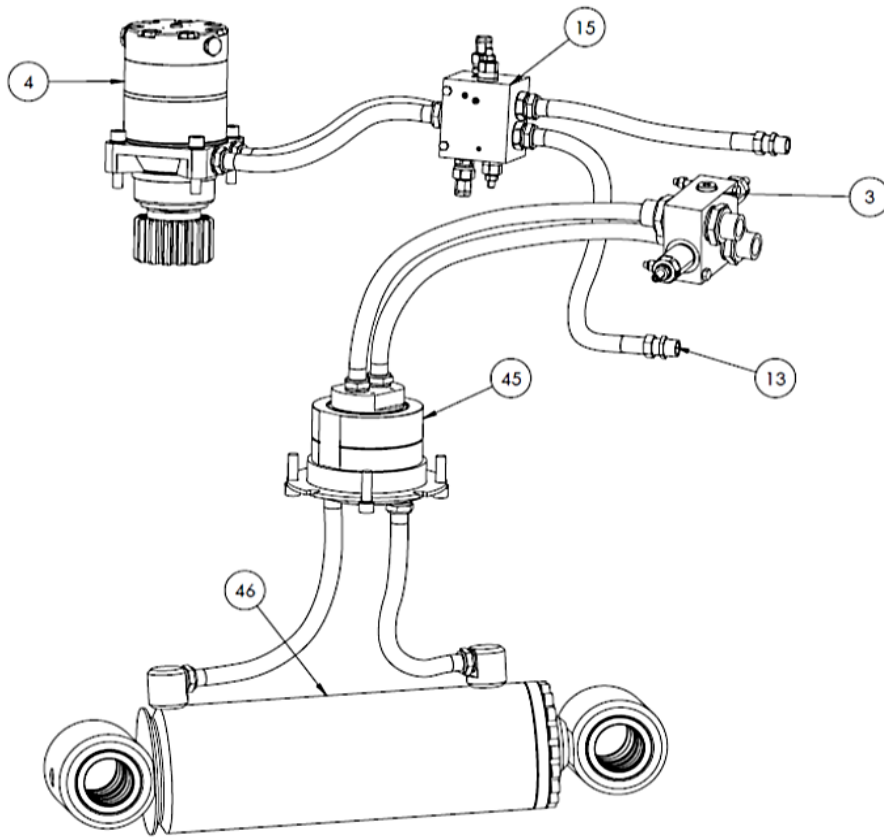
POS.	Q,TY	PART No.	DESCRIPTION
1	1	12001100	STATOR
2	1	12001000	ROTOR
3	4	05000600	BONDED SEAL 1/2"
4	4	03000500	NIPLES 1/2"-1/2"
5	1	51000300	SEGER
6	1	11000100	BEARING
7	1	11000300	BEARING
8	1	14001000	SEAL KIT

# GR10 JOINT EXPLODED VIEW

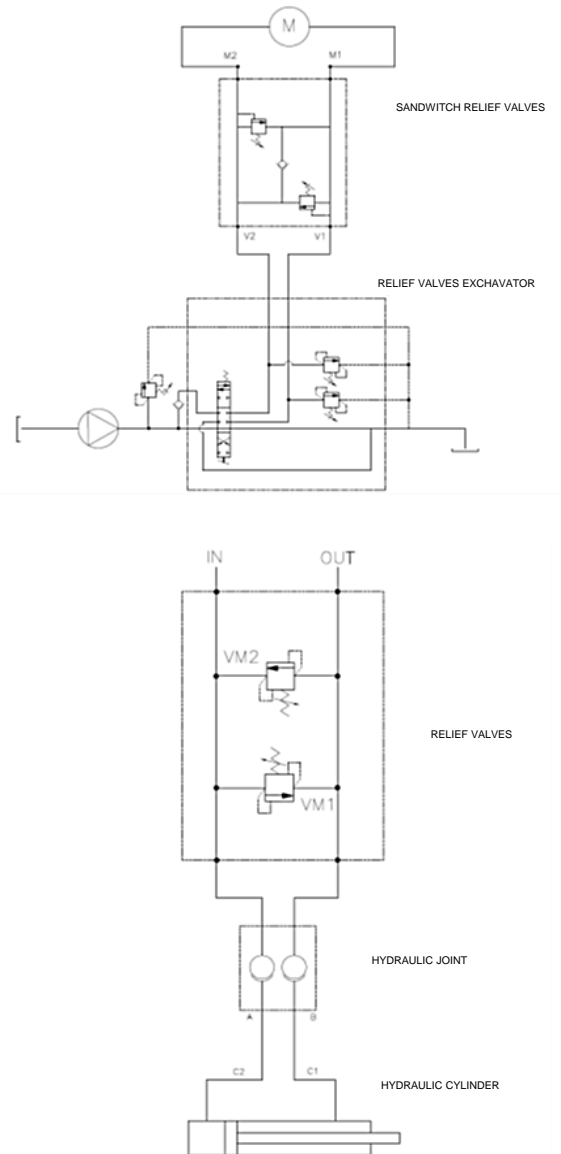


POS.	Q,TY	PART No.	DESCRIPTION
1	1	37001402	CYLINDER LINER
2	2	25000200	GREASE FITTING
3	2	05000600	BONDED SEAL 1/2"
4	2	03000500	NIPLES 1/2"-1/2"
5	4	17007500	BOCCOLA / BUSH
6	2	06001300	PLUG 1/4
7	1	39000300	CYLINDER HEAD
8	1	38000300	PISTON CYLINDER
9	1	36001202	CYLINDER ROD
10	18	05000900	NORD-LOCK M10
11	18	04019700	TCEI M10X40
12	1	14000101	SEALS CYLINDER KIT

# GR10HYDRAULIC EXPLODED VIEW



HYDRAULIC ROTATION SYSTEM



POS.	Q,TY	PART No.	DESCRIPTION
3	1	29002800	OVERCENTER VALVE
4	1	01001101	COMPLETE ENGINE
13	2	03002500	BULKHEAD FITTING 1/2"
15	1	29002900	CONTROL ROTATION VALVE
45	1	12000600	JOINT 1/2"
46	1	19004400	CYLINDER