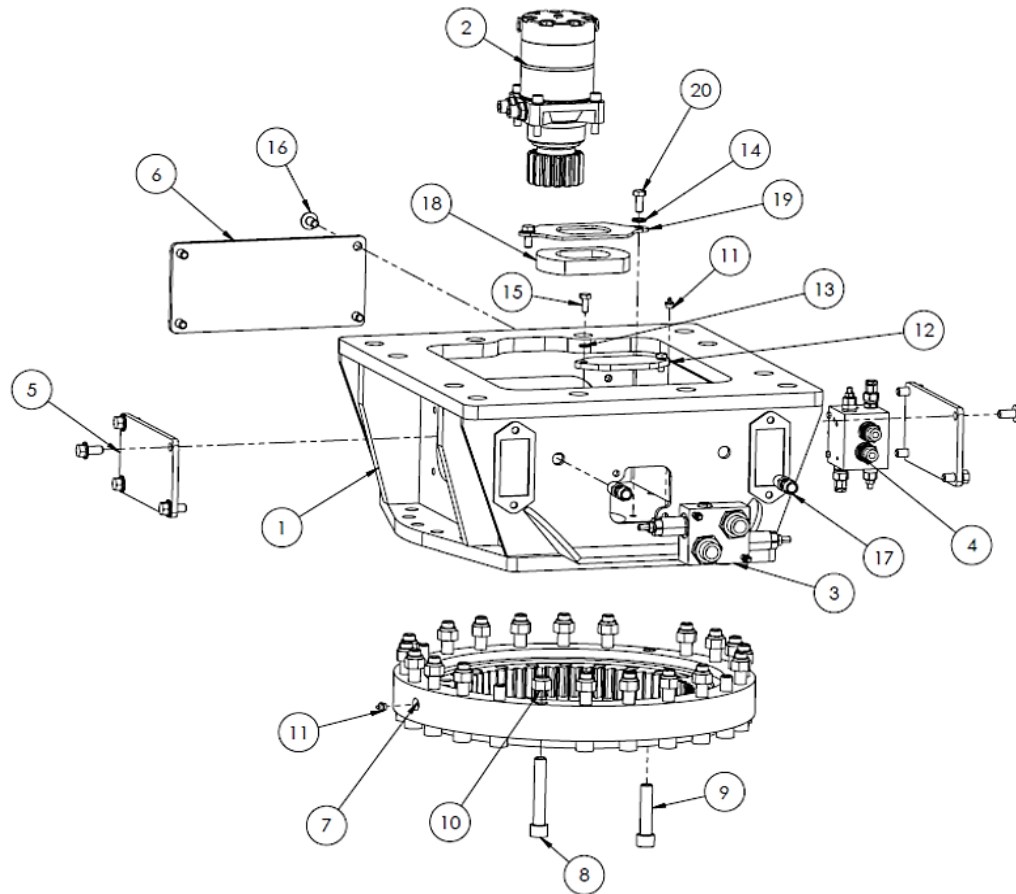
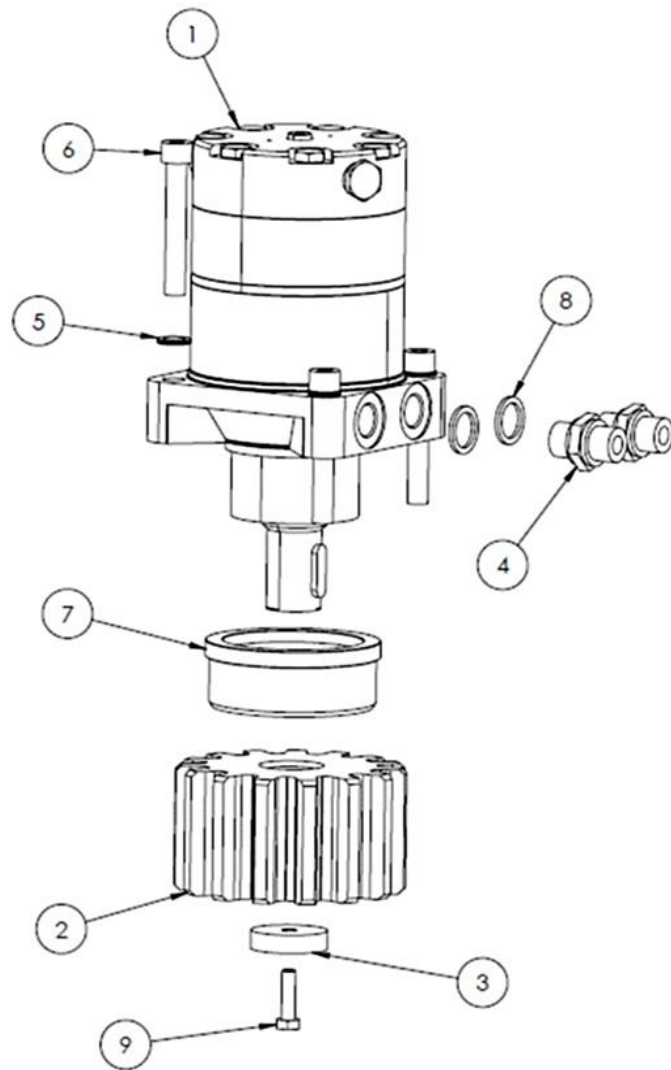


GR15 ROTATION EXPLODED VIEW



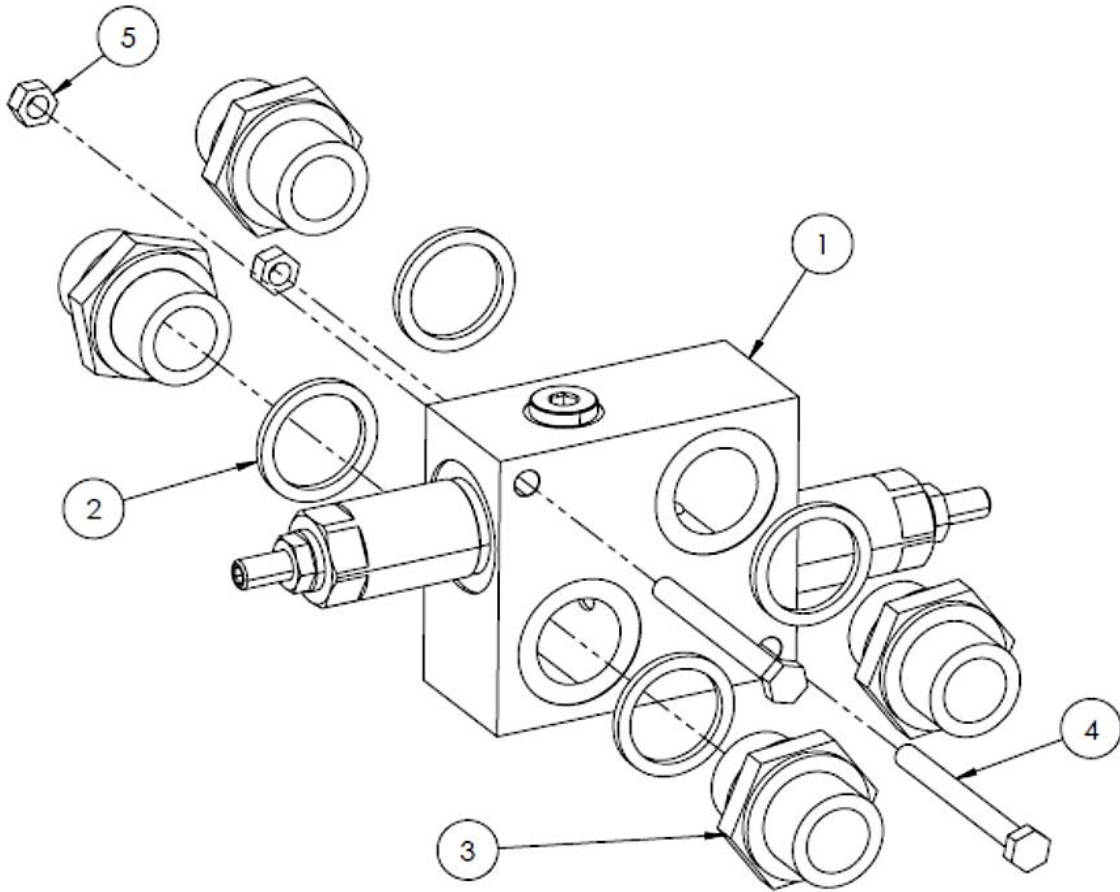
| POS. | Q,TY | PART No. | DESCRIPTION |
|------|------|----------|------------------------|
| 1 | 1 | 13001000 | ROTATION BOX |
| 2 | 1 | 01001101 | ENGINE |
| 3 | 1 | 29002800 | OVERCENTER VALVE |
| 4 | 1 | 29002900 | CONTROL ROTATION VALVE |
| 5 | 2 | 02017000 | INSPECTION DOOR |
| 6 | 1 | 02017100 | INSPECTION DOOR |
| 7 | 1 | 27000200 | THRUST BEARING |
| 8 | 20 | 04002600 | TCEI M20X120 |
| 9 | 4 | 04007100 | TCEI M20X90 |
| 10 | 20 | 07000200 | LOCKNUT M20 |
| 11 | 2 | 25000200 | GREASE FITTING |
| 12 | 1 | 02004300 | INSPECTION DOOR |
| 13 | 2 | 05000900 | NORD-LOCK M10 |
| 14 | 2 | 05001000 | NORD-LOCK M12 |
| 15 | 2 | 04010500 | TE M10X25 |
| 16 | 12 | 04019500 | TEF M14X30 |
| 17 | 2 | 03002500 | BULKHEAD FITTING 1/2" |
| 18 | 1 | 02019500 | JOINT ADAPTER |
| 19 | 1 | 02019600 | ADAPTER PLATE |
| 20 | 2 | 04023500 | TE M12X30 |

GR15 MOTOR EXPLODED VIEW



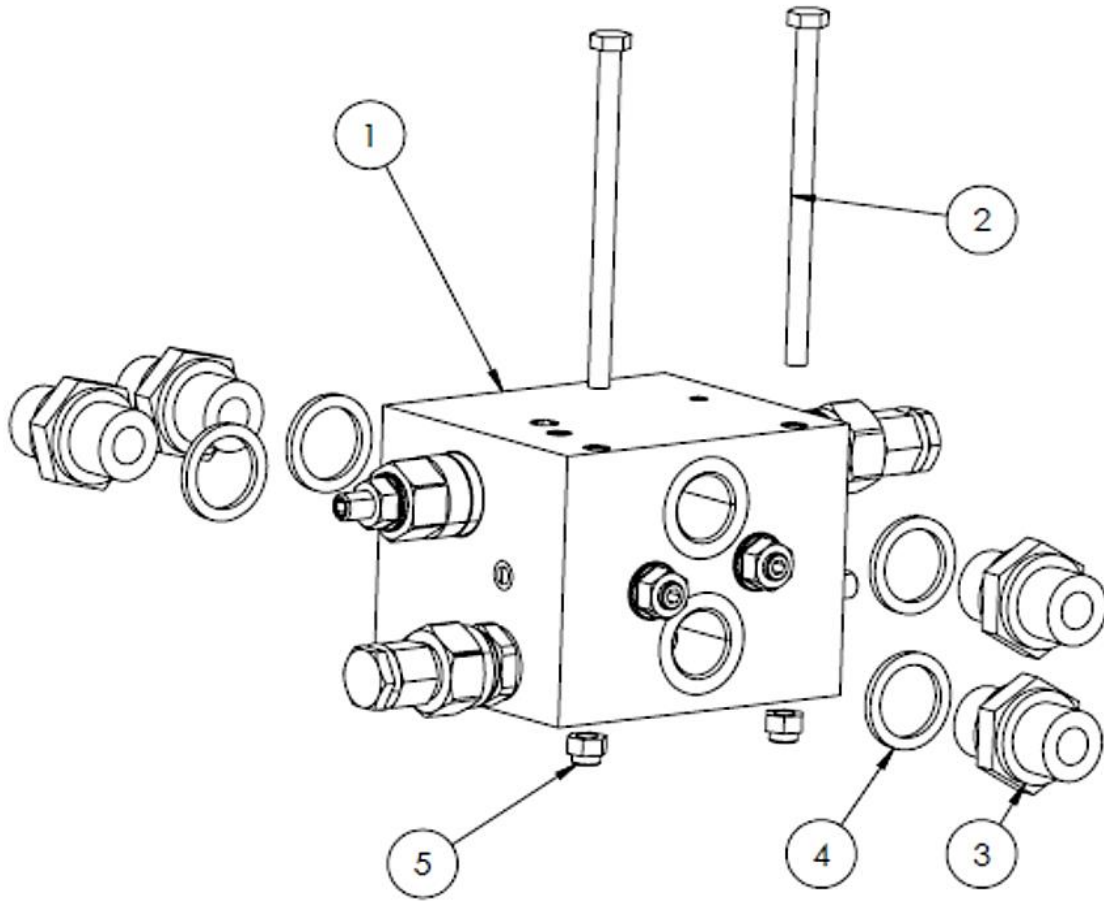
| POS. | Q,TY | PART No. | DESCRIPTION |
|------|------|----------|------------------|
| 1 | 1 | 01001500 | ENGINE 3.0 |
| 2 | 1 | 01001600 | SPROCKET |
| 3 | 1 | 05005600 | SPROCKET WASHER |
| 4 | 2 | 03000500 | NIPLES 1/2"-1/2" |
| 5 | 4 | 05001000 | NORD-LOCK M12 |
| 6 | 4 | 04019300 | TCEI M12X80 |
| 7 | 1 | 17006900 | MOTOR BUSHING |
| 8 | 2 | 05000600 | BONDED SEAL 1/2" |
| 9 | 1 | 04022100 | TE M8X30 |
| - | 1 | 14003500 | SEALS KIT |

GR15 VALVE EXPLODED VIEW 1



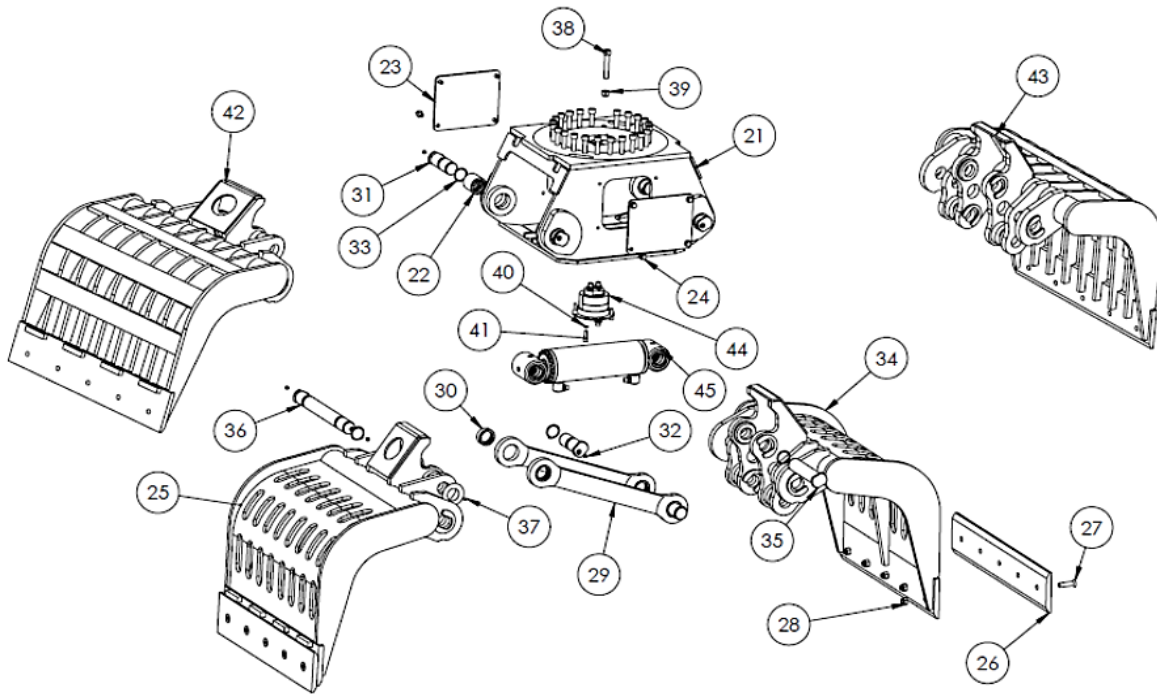
| POS. | Q,TY | PART No. | DESCRIPTION |
|------|------|----------|-----------------------|
| 1 | 1 | 29000100 | PRESSURE RELEIF VALVE |
| 2 | 4 | 05000800 | BONDED SEAL 1" |
| 3 | 4 | 03000700 | NIPLES 1" - 1" |
| 4 | 2 | 04002100 | TE M8X80 |
| 5 | 2 | 07000400 | LOCKNUT M8 |

GR15 VALVE EXPLODED VIEW 2



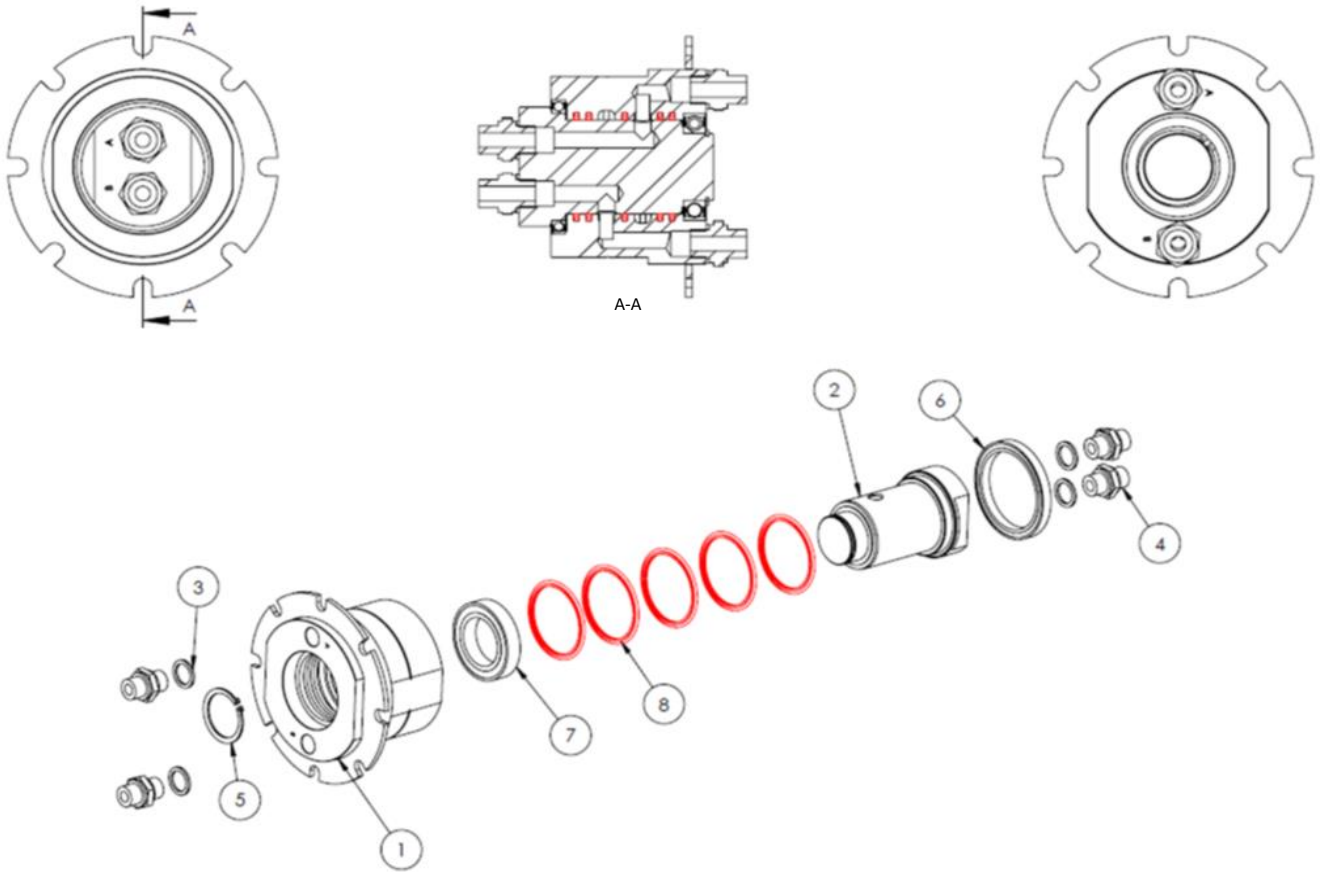
| POS. | Q,TY | PART No. | DESCRIPTION |
|------|------|----------|------------------------|
| 1 | 1 | 29001701 | ROTATION CONTROL VALVE |
| 2 | 2 | 04020300 | TE M6X100 |
| 3 | 4 | 03000500 | NIPLES 1/2"-1/2" |
| 4 | 4 | 05000600 | BONDED SEAL 1/2" |
| 5 | 2 | 07002100 | LOCKNUT M6 |

GR15 BODY EXPLODED VIEW



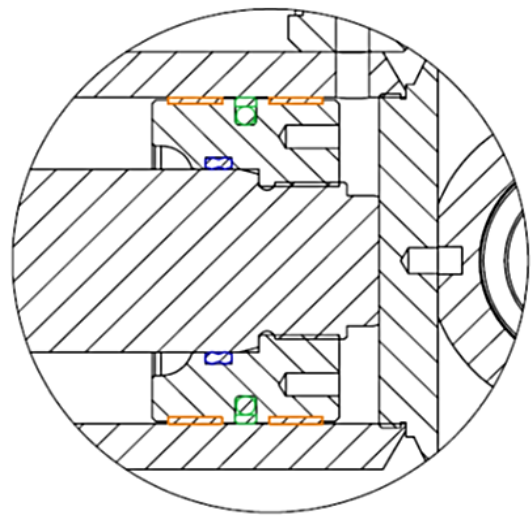
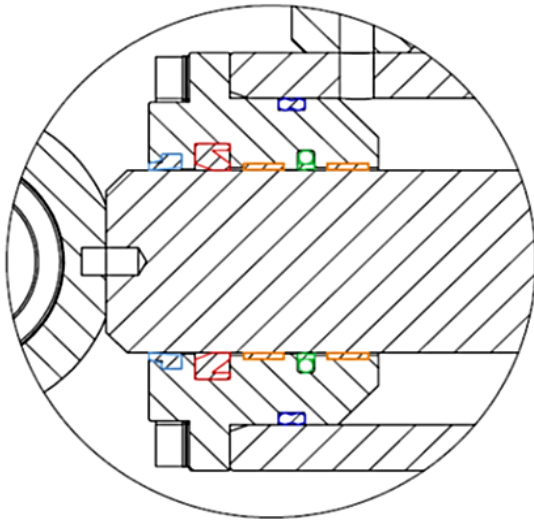
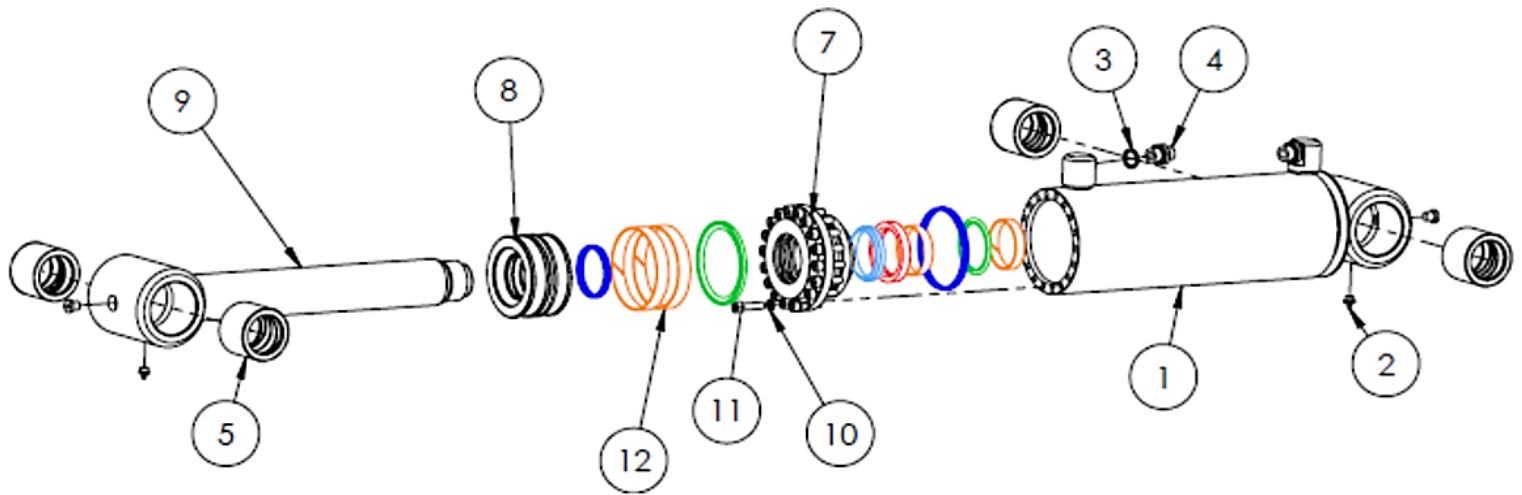
| POS. | Q.TY | PART No. | DESCRIPTION |
|------|------|----------|-------------------|
| 21 | 1 | 24003900 | BODY |
| 22 | 4 | 17007600 | BUSH |
| 23 | 2 | 02018200 | SHAPED DOOR |
| 24 | 8 | 04019500 | TEF M14X30 |
| 25 | 1 | 23001803 | SELECTION JAW SX |
| 26 | 2 | 21004300 | BLADE |
| 27 | 10 | 04009200 | TS M20X80 |
| 28 | 10 | 07000200 | LOCKNUT M20 |
| 29 | 2 | 52000300 | ROD |
| 30 | 4 | 17002900 | BUSH |
| 31 | 6 | 16020201 | PIN |
| 32 | 8 | 25000200 | GREASE FITTING |
| 33 | 8 | 51000200 | SEGER |
| 34 | 1 | 23001802 | SELECTION JAW DX |
| 35 | 1 | 16020300 | PIN |
| 36 | 1 | 16020400 | PIN |
| 37 | 1 | 02005700 | THICKNESS |
| 38 | 24 | 04002600 | TCEI M20X120 |
| 39 | 24 | 07000200 | LOCKNUT M20 |
| 40 | 4 | 05001000 | NORD-LOCK M12 |
| 41 | 4 | 04001400 | TCEI M12X40 |
| 42 | 1 | 23001801 | DEMOLITION JAW SX |
| 43 | 1 | 23001800 | DEMOLITION JAW DX |
| 44 | 1 | 12000600 | JOINT 1/2" |
| 45 | 1 | 19004400 | CYLINDER |

GR15 JOINT EXPLODED VIEW



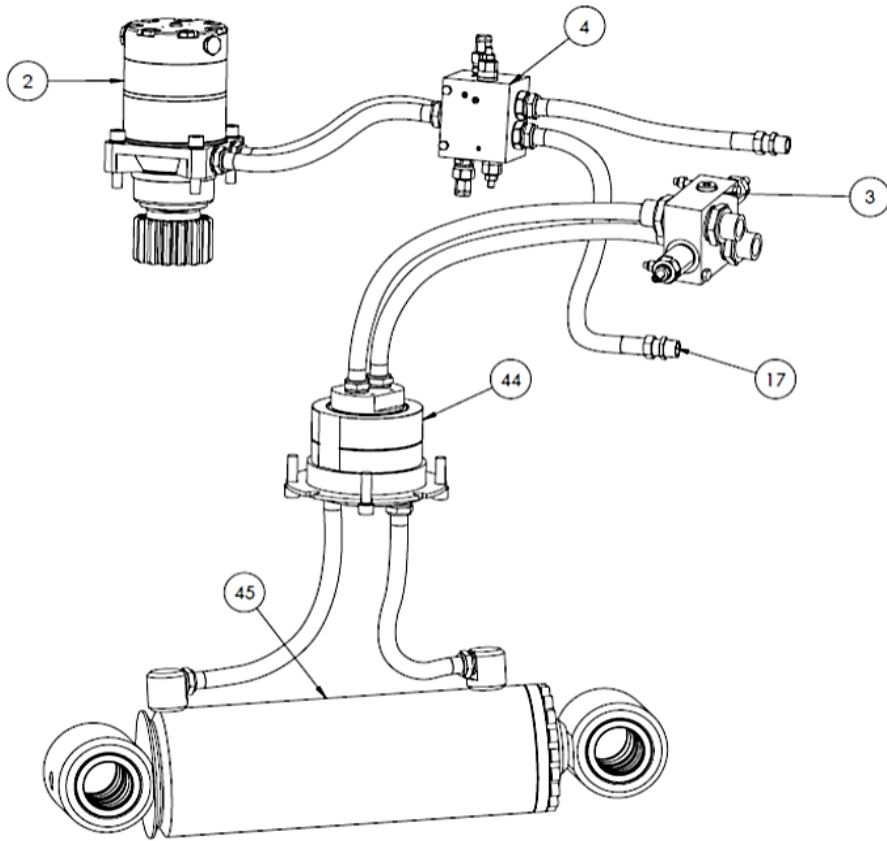
| POS. | Q,TY | PART No. | DESCRIPTION |
|------|------|----------|------------------|
| 1 | 1 | 12001100 | STATOR |
| 2 | 1 | 12001000 | ROTOR |
| 3 | 4 | 05000600 | BONDED SEAL 1/2" |
| 4 | 4 | 03000500 | NIPLES 1/2"-1/2" |
| 5 | 1 | 51000300 | SEGER |
| 6 | 1 | 11000100 | BEARING |
| 7 | 1 | 11000300 | BEARING |
| 8 | 1 | 14001000 | SEAL KIT |

GR15 JOINT EXPLODED VIEW

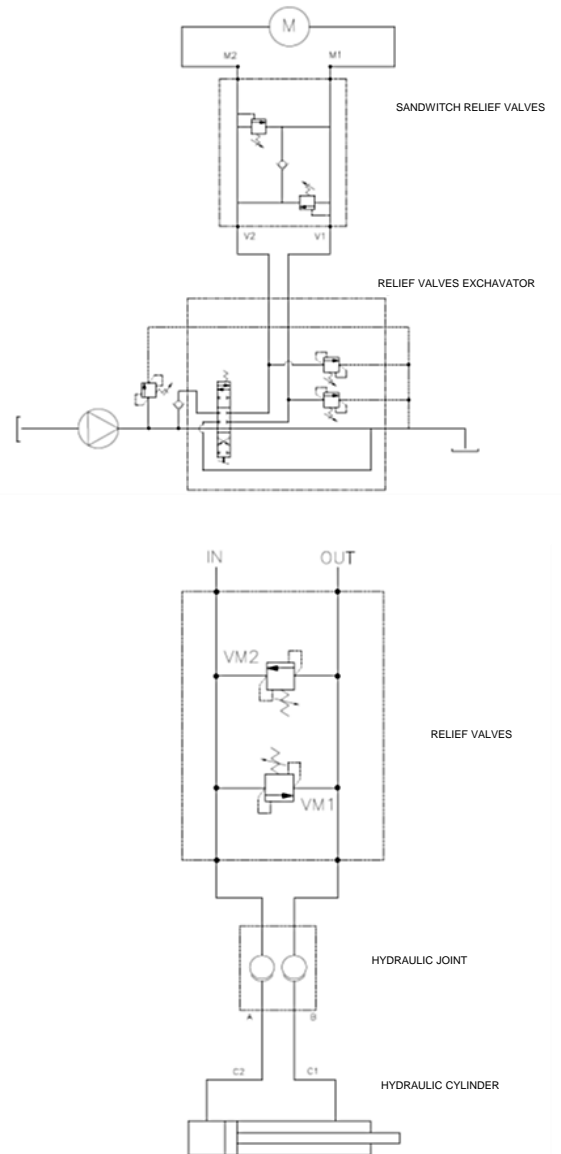


| POS. | Q.TY | PART No. | DESCRIPTION |
|------|------|----------|--------------------|
| 1 | 1 | 37001402 | CYLINDER LINER |
| 2 | 2 | 25000200 | GREASE FITTING |
| 3 | 2 | 05000600 | BONDED SEAL 1/2" |
| 4 | 2 | 03000500 | NIPLES 1/2"-1/2" |
| 5 | 4 | 17007500 | BOCCOLA / BUSH |
| 6 | 2 | 06001300 | PLUG 1/4 |
| 7 | 1 | 39000300 | CYLINDER HEAD |
| 8 | 1 | 38000300 | PISTON CYLINDER |
| 9 | 1 | 36001202 | CYLINDER ROD |
| 10 | 18 | 05000900 | NORD-LOCK M10 |
| 11 | 18 | 04019700 | TCEI M10X40 |
| 12 | 1 | 14000101 | SEALS CYLINDER KIT |

GR15HYDRAULIC EXPLODED VIEW



HYDRAULIC ROTATION SYSTEM



| POS. | Q,TY | PART No. | DESCRIPTION |
|------|------|----------|------------------------|
| 3 | 1 | 29002800 | OVERCENTER VALVE |
| 2 | 1 | 01001101 | COMPLETE ENGINE |
| 17 | 2 | 03002500 | BULKHEAD FITTING 1/2" |
| 4 | 1 | 29002900 | CONTROL ROTATION VALVE |
| 44 | 1 | 12000600 | JOINT 1/2" |
| 45 | 1 | 19004400 | CYLINDER |