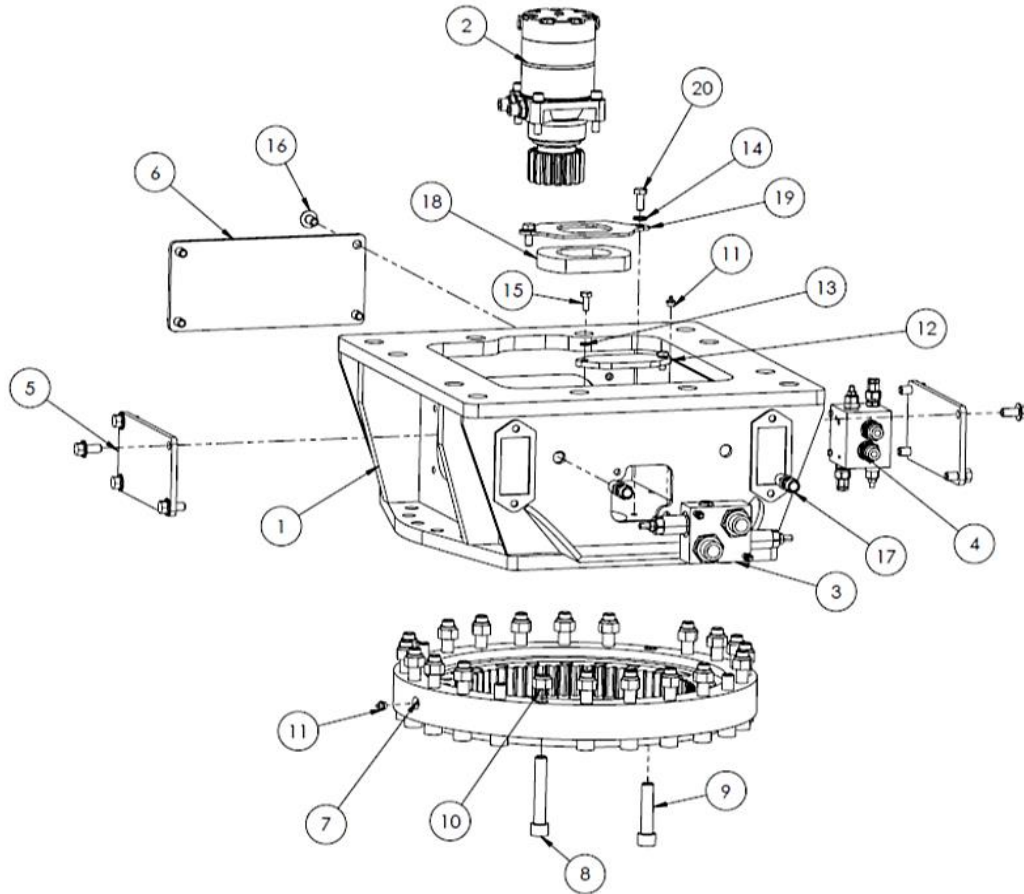
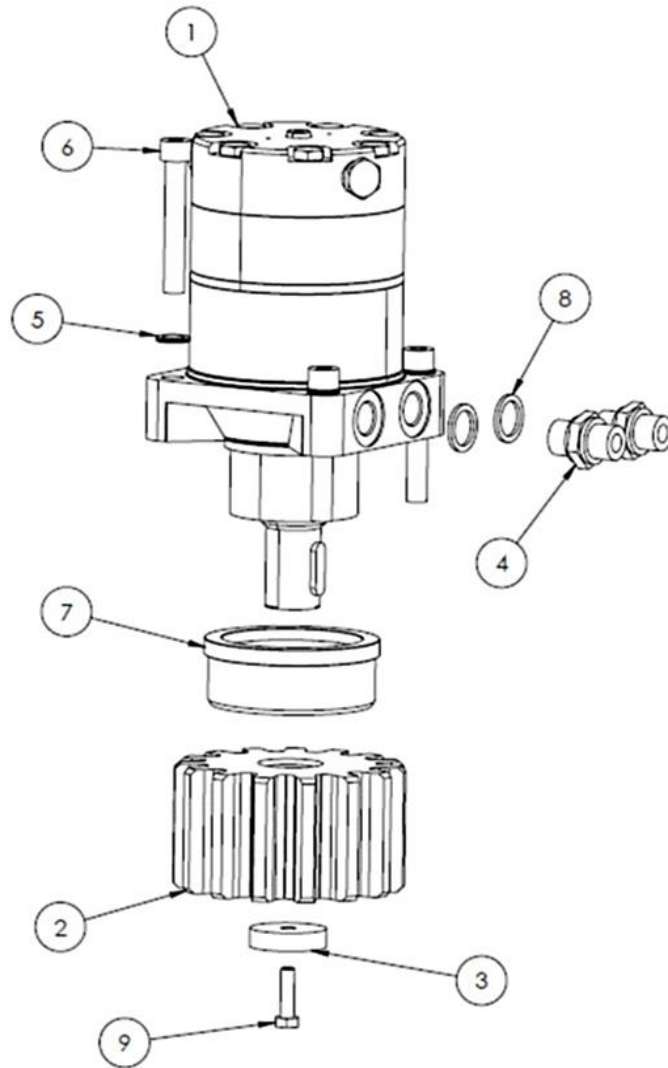


GR20 ROTATION EXPLODED VIEW



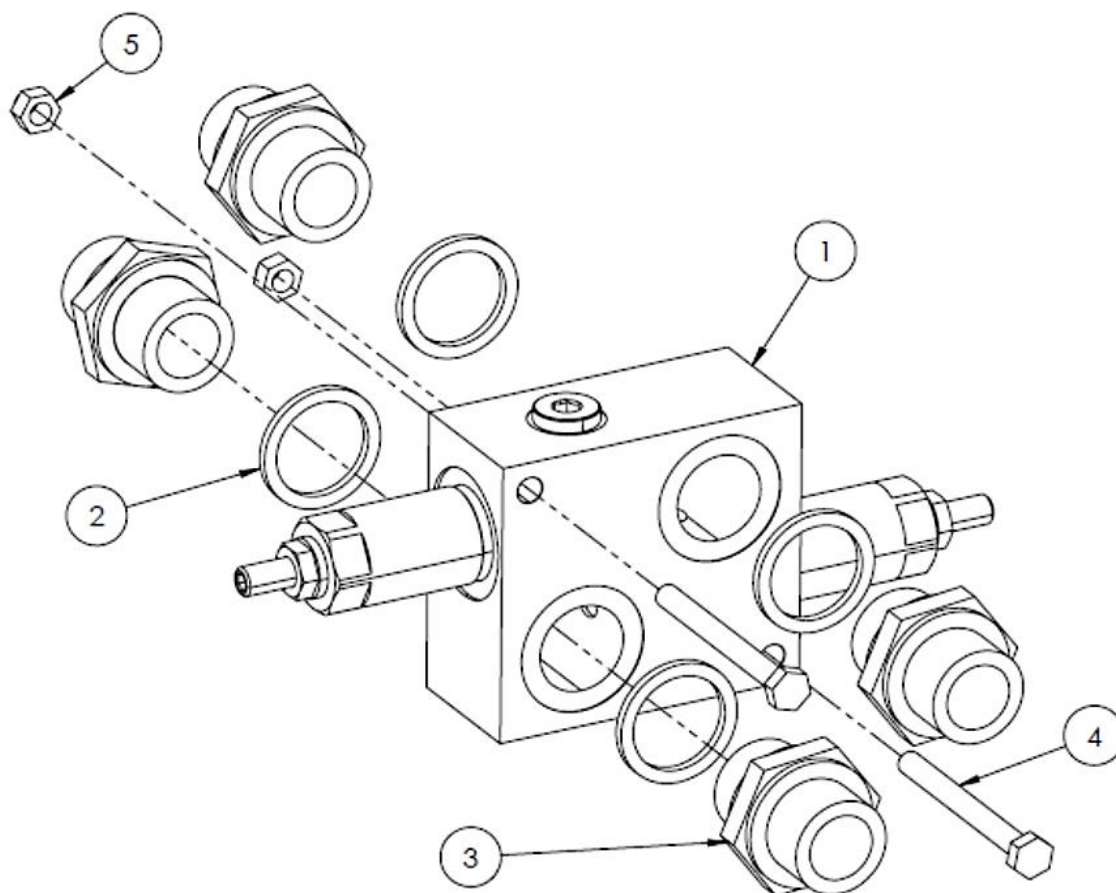
POS.	Q,TY	PART No.	DESCRIPTION
1	1	13001000	ROTATION BOX
2	1	01001101	ENGINE
3	1	29002800	OVERCENTER VALVE
4	1	29002900	CONTROL ROTATION VALVE
5	2	02017000	INSPECTION DOOR
6	1	02017100	INSPECTION DOOR
7	1	27000200	THRUST BEARING
8	20	04002600	TCEI M20X120
9	4	04007100	TCEI M20X90
10	20	07000200	LOCKNUT M20
11	2	25000200	GREASE FITTING
12	1	02004300	INSPECTION DOOR
13	2	05000900	NORD-LOCK M10
14	2	05001000	NORD-LOCK M12
15	2	04010500	TE M10X25
16	12	04019500	TEF M14X30
17	2	03002500	BULKHEAD FITTING 1/2"
18	1	02019500	JOINT ADAPTER
19	1	02019600	ADAPTER PLATE
20	2	04023500	TE M12X30

GR20 MOTOR EXPLODED VIEW



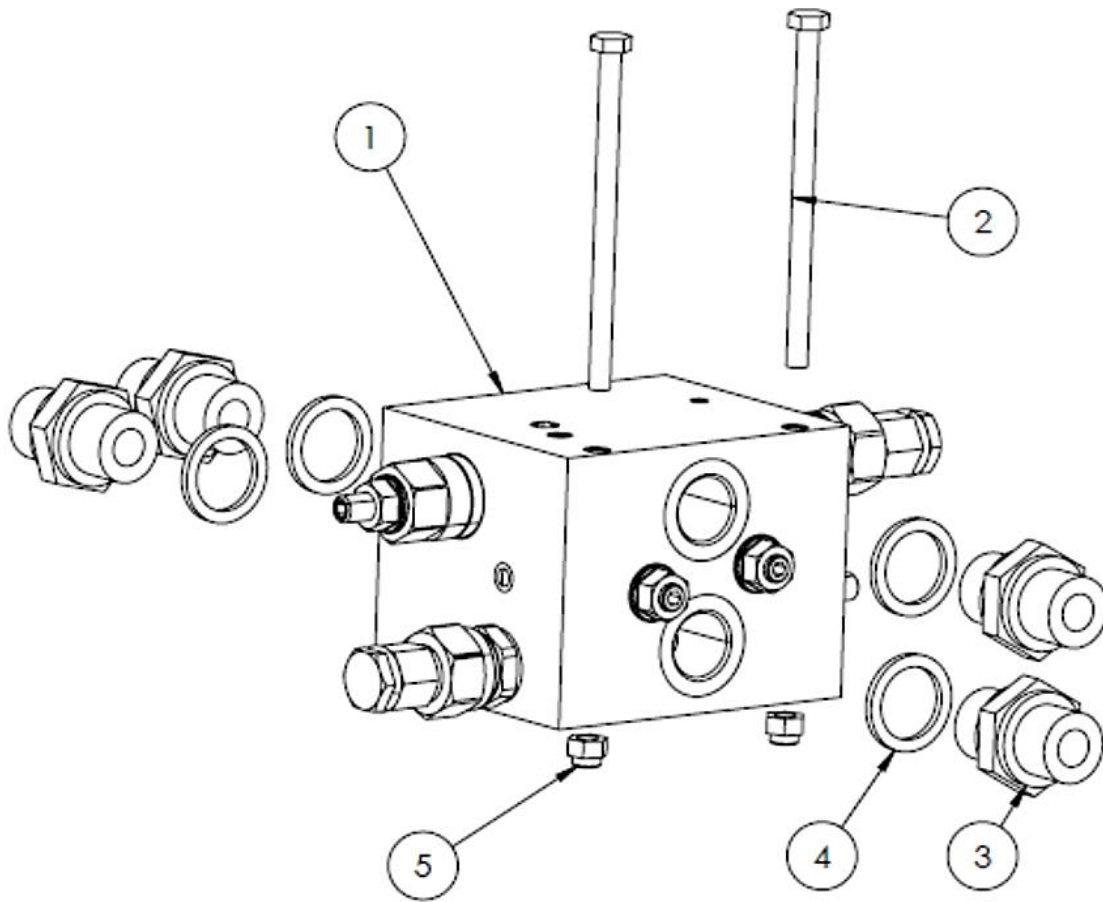
POS.	Q,TY	PART No.	DESCRIPTION
1	1	01001500	ENGINE 3.0
2	1	01001600	SPROCKET
3	1	05005600	SPROCKET WASHER
4	2	03000500	NIPLES 1/2"-1/2"
5	4	05001000	NORD-LOCK M12
6	4	04019300	TCEI M12X80
7	1	17006900	MOTOR BUSHING
8	2	05000600	BONDED SEAL 1/2"
9	1	04022100	TE M8X30
-	1	14003500	SEALS KIT

GR20 VALVE EXPLODED VIEW 1



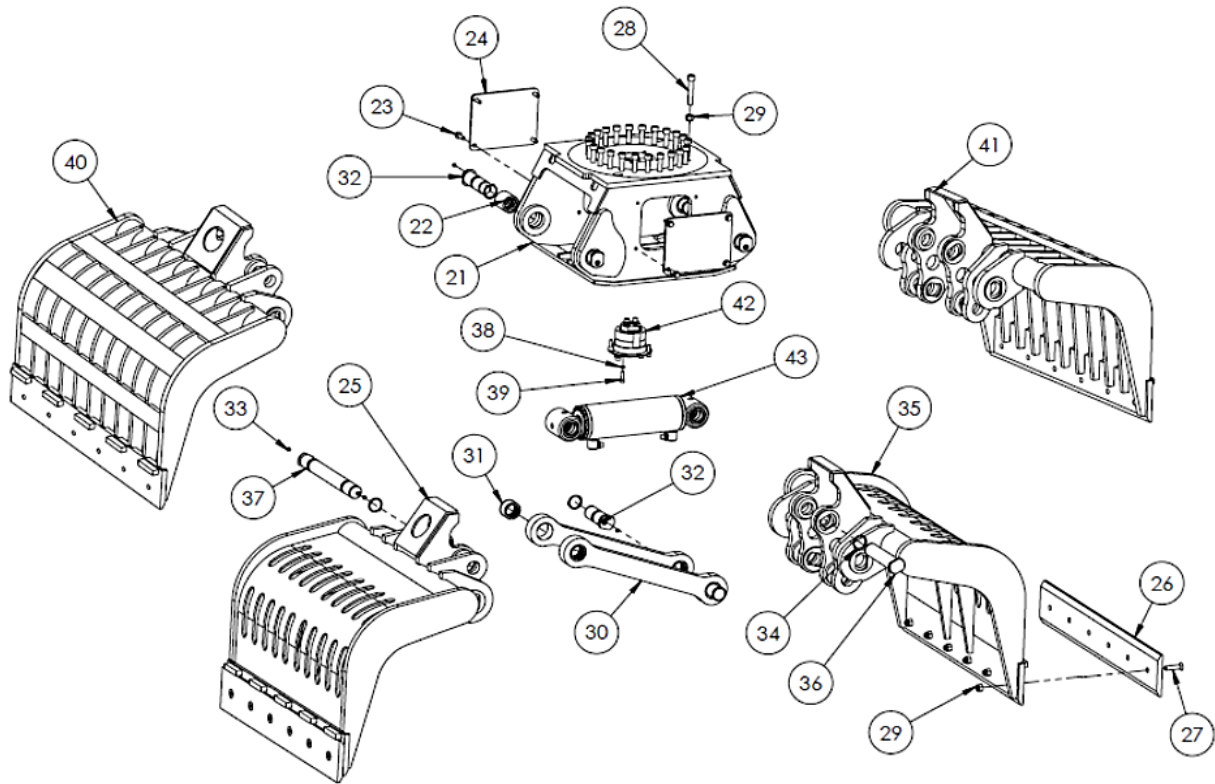
POS.	Q,TY	PART No.	DESCRIPTION
1	1	29000100	PRESSURE RELEIF VALVE
2	4	05000800	BONDED SEAL 1"
3	4	03000700	NIPLES 1" - 1"
4	2	04002100	TE M8X80
5	2	07000400	LOCKNUT M8

GR20 VALVE EXPLODED VIEW 2



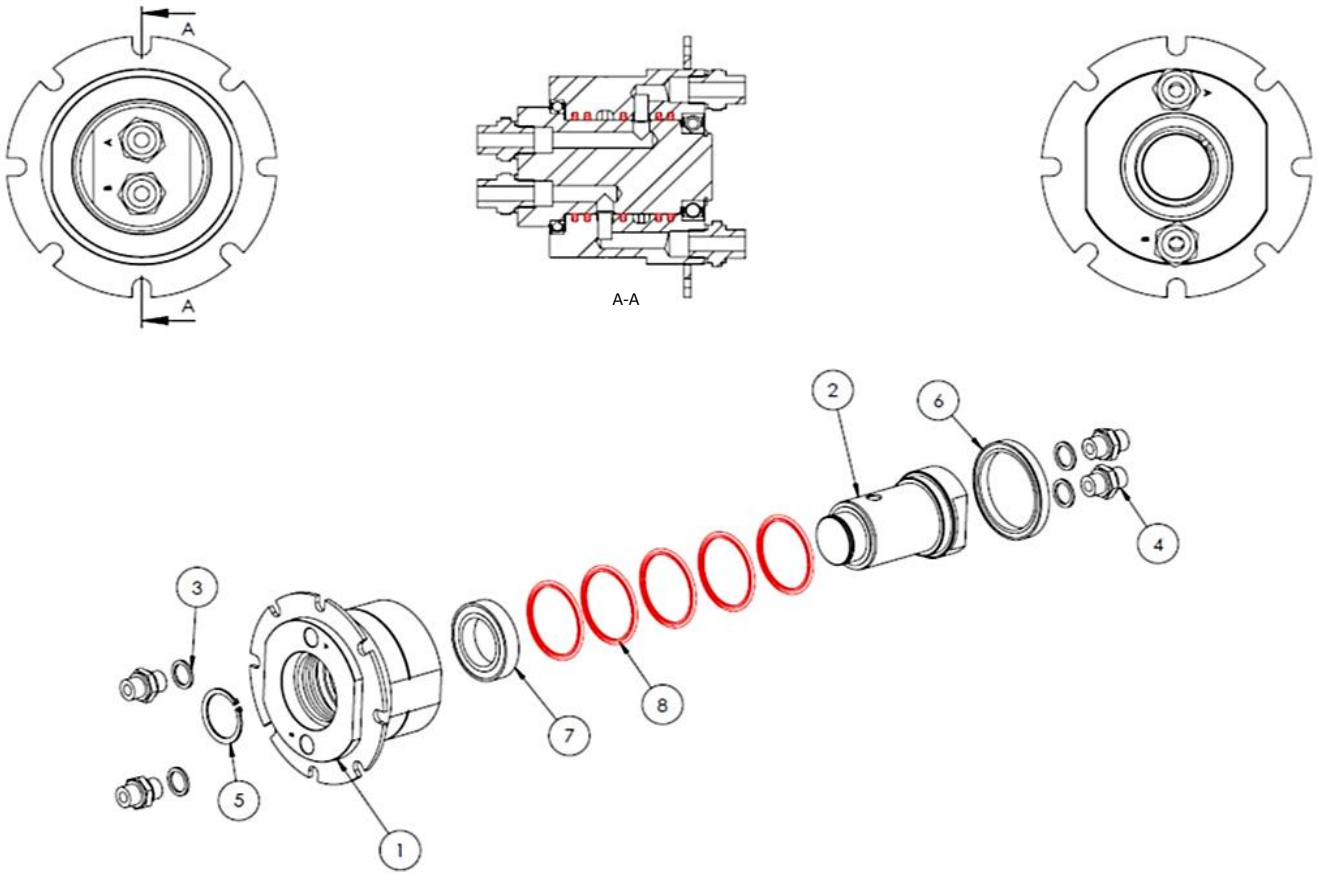
POS.	Q,TY	PART No.	DESCRIPTION
1	1	29001701	ROTATION CONTROL VALVE
2	2	04020300	TE M6X100
3	4	03000500	NIPLES 1/2"-1/2"
4	4	05000600	BONDED SEAL 1/2"
5	2	07002100	LOCKNUT M6

GR20 BODY EXPLODED VIEW



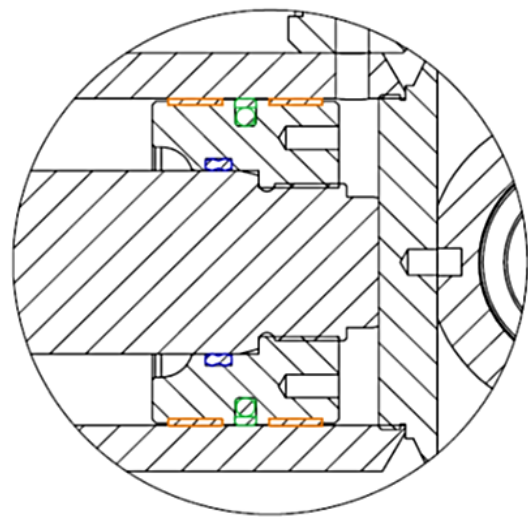
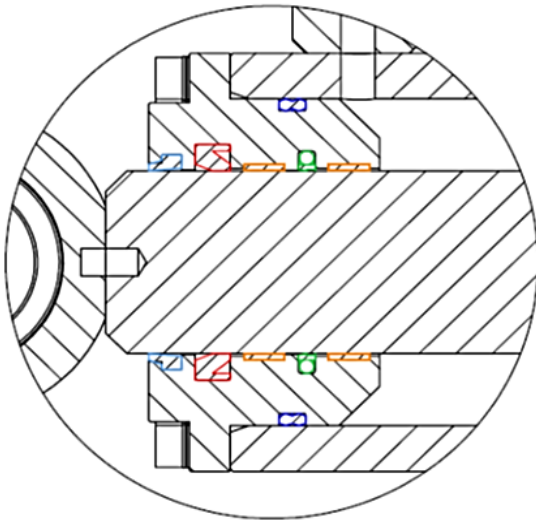
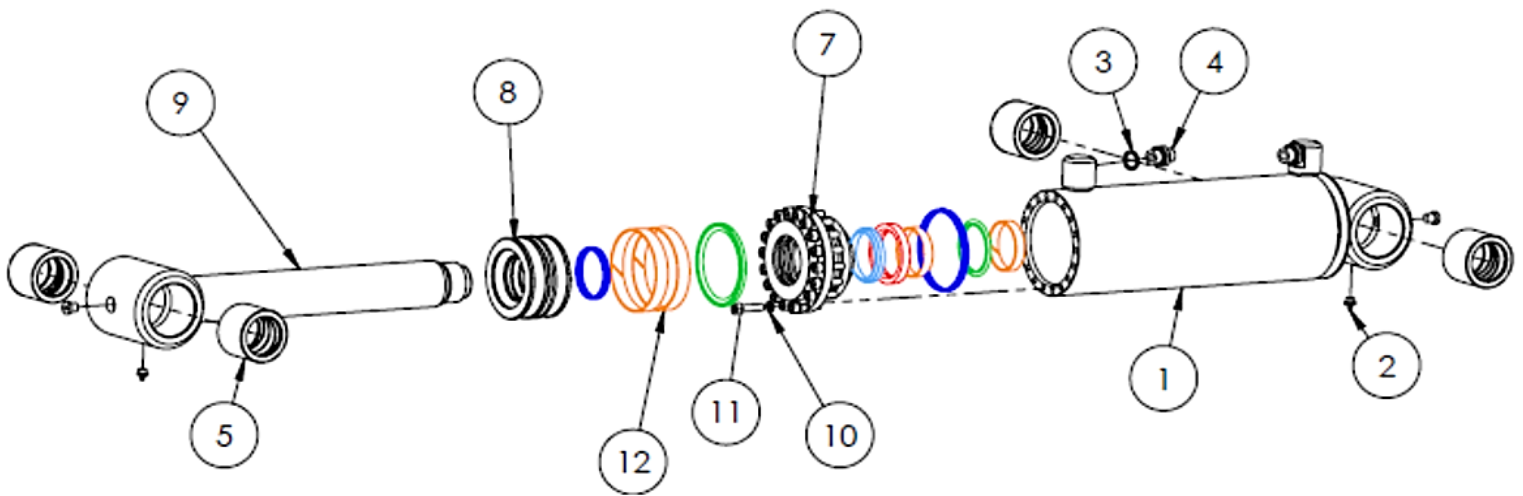
POS.	Q,TY	PART No.	DESCRIPTION
21	1	24004900	BODY
22	4	17007600	BUSH
23	8	04022000	TEF M14X50
24	2	02018200	SHAPED DOOR
25	1	23002202	SELECTION JAW SX
26	2	21004100	BLADE
27	12	04009200	TS M20X80
28	24	04002600	TCEI M20X120
29	36	07000200	LOCKNUT M20
30	2	52000400	ROD
31	4	17007400	BUSH
32	6	16020201	PIN
33	8	25000200	GREASE FITTING
34	8	51000200	SEGER
35	1	23002201	SELECTION JAW DX
36	1	16020300	PIN
37	1	16020400	PIN
38	4	05001000	M12
39	4	04001400	TCEI M12X40
40	1	23002204	DEMOLITION JAW SX
41	1	23002200	DEMOLITION JAW DX
42	1	12000600	JOINT 1/2"
43	1	19004400	CYLINDER

GR20 JOINT EXPLODED VIEW



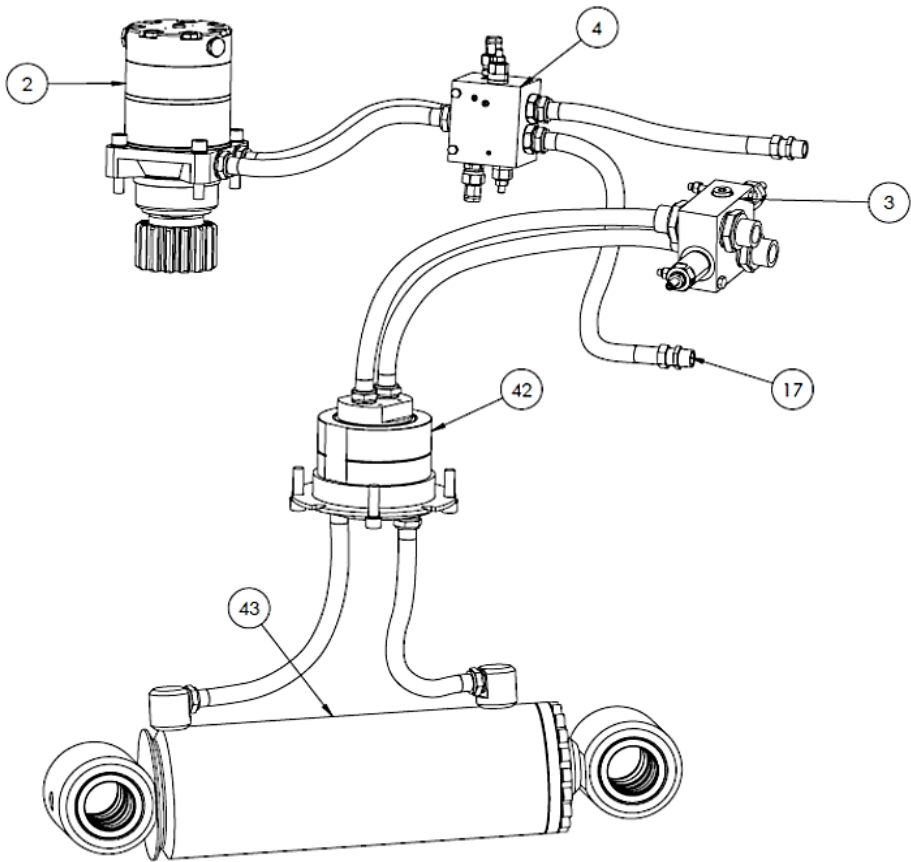
POS.	Q.TY	PART No.	DESCRIPTION
1	1	12001100	STATOR
2	1	12001000	ROTOR
3	4	05000600	BONDED SEAL 1/2"
4	4	03000500	NIPLES 1/2"-1/2"
5	1	51000300	SEGER
6	1	11000100	BEARING
7	1	11000300	BEARING
8	1	14001000	SEAL KIT

GR20 JOINT EXPLODED VIEW

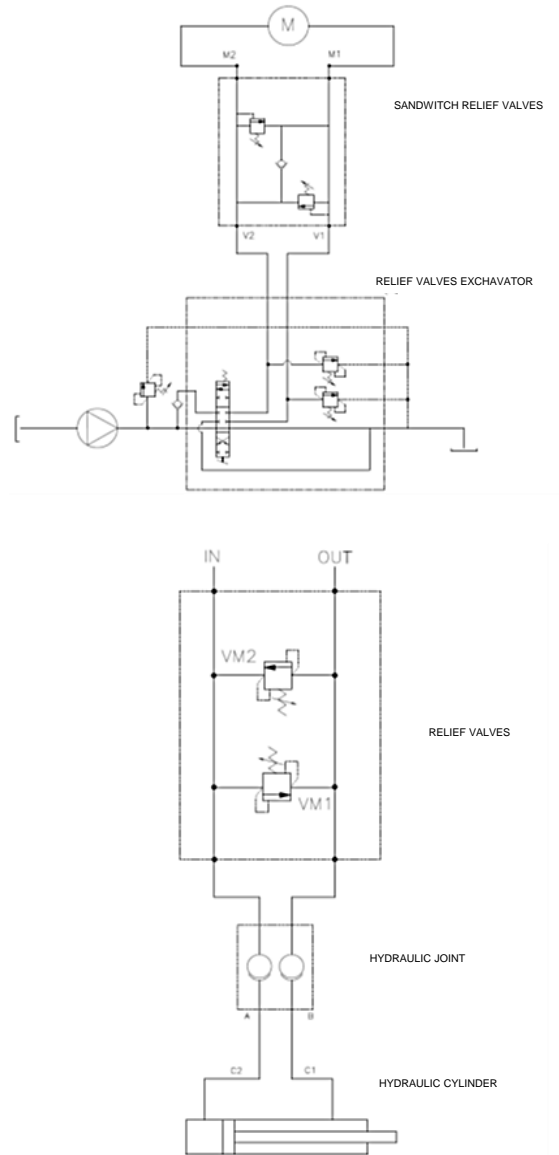


POS.	Q.TY	PART No.	DESCRIPTION
1	1	37001402	CYLINDER LINER
2	2	25000200	GREASE FITTING
3	2	05000600	BONDED SEAL 1/2"
4	2	03000500	NIPLES 1/2"-1/2"
5	4	17007500	BOCCOLA / BUSH
6	2	06001300	PLUG 1/4
7	1	39000300	CYLINDER HEAD
8	1	38000300	PISTON CYLINDER
9	1	36001202	CYLINDER ROD
10	18	05000900	NORD-LOCK M10
11	18	04019700	TCEI M10X40
12	1	14000101	SEALS CYLINDER KIT

GR20HYDRAULIC EXPLODED VIEW



HYDRAULIC ROTATION SYSTEM



POS.	Q,TY	PART No.	DESCRIPTION
3	1	29002800	OVERCENTER VALVE
2	1	01001101	COMPLETE ENGINE
17	2	03002500	BULKHEAD FITTING 1/2"
4	1	29002900	CONTROL ROTATION VALVE
42	1	12000600	JOINT 1/2"
43	1	19004400	CYLINDER