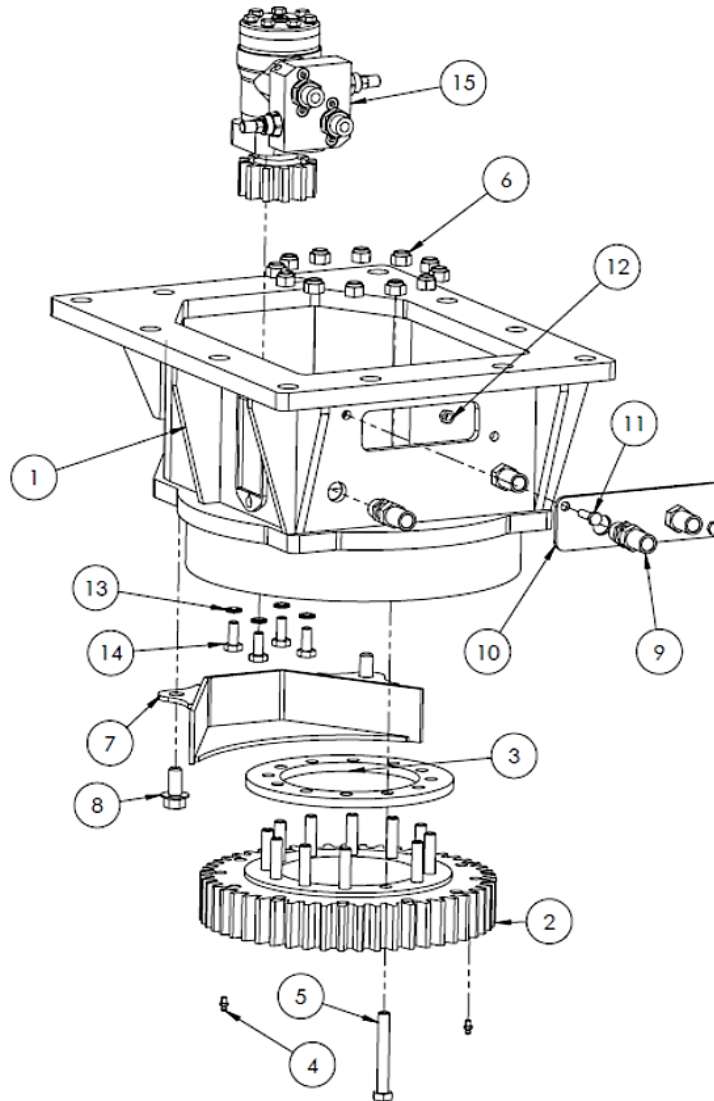
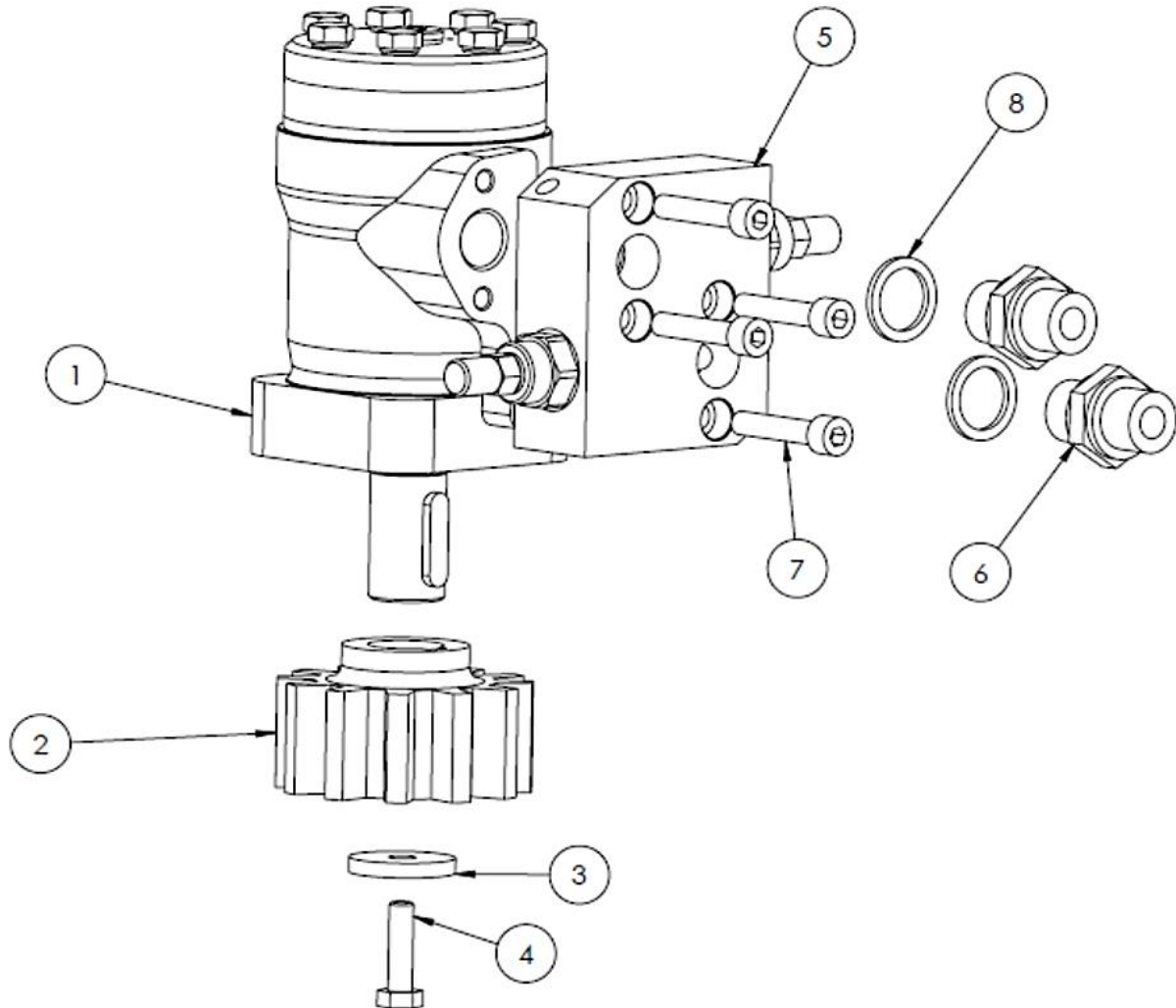


GR5 ROTATION EXPLODED VIEW



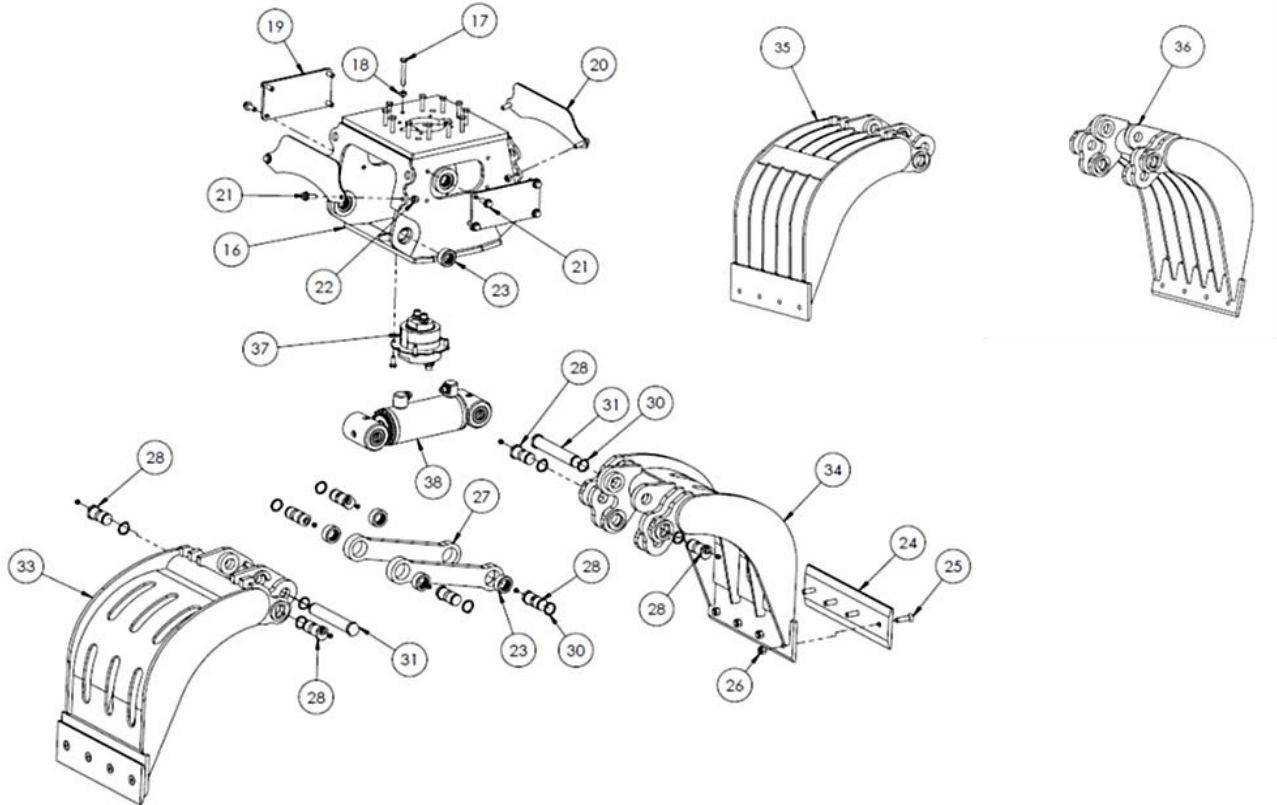
POS.	Q,TY	PART No.	DESCRIPTION
1	1	13000900	ROTATION BOX
2	1	27000500	BEARING
3	1	02018800	ADAPTER BEARING
4	2	25000500	GREASE FITTING
5	12	04009000	TE M12X90
6	12	07000600	LOCKNUT M12
7	1	02018900	SHAPED DOOR
8	2	04019500	TEF M14X30
9	4	03002500	BULKHEAD FITTING 1/2"
10	1	29002301	NIPPLES SUPPORT
11	2	04022100	TE M8X30
12	2	07000400	LOCKNUT M8
13	4	05000900	NORD-LOCK M10
14	4	04010500	TE M10X25
15	1	01001000	ENGINE

GR5 MOTOR EXPLODED VIEW



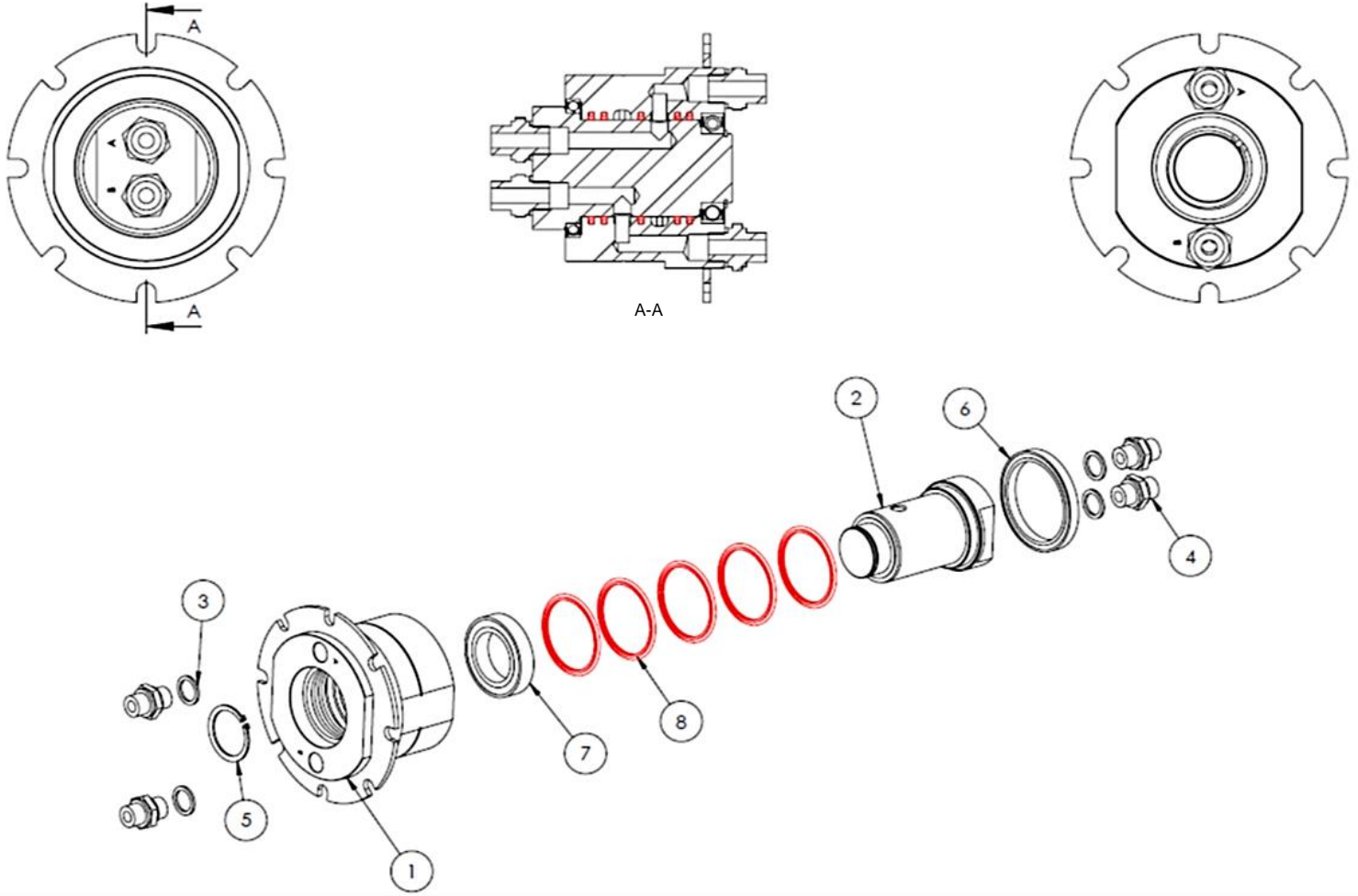
POS.	Q,TY	PART No.	DESCRIPTION
1	1	01002300	ENGINE
2	1	01001200	SPROCKET
3	1	05006100	SPROCKET WASHER
4	1	04022100	TE M8X30
5	1	01001400	PRESSURE RELEIF VALVE
6	2	03000500	NIPLES 1/2"-1/2"
7	4	04009900	TCEI M8X40
8	2	05000600	BONDED SEAL 1/2"
-	1	14003400	SEAL MOTOR KIT

GR5 BODY EXPLODED VIEW



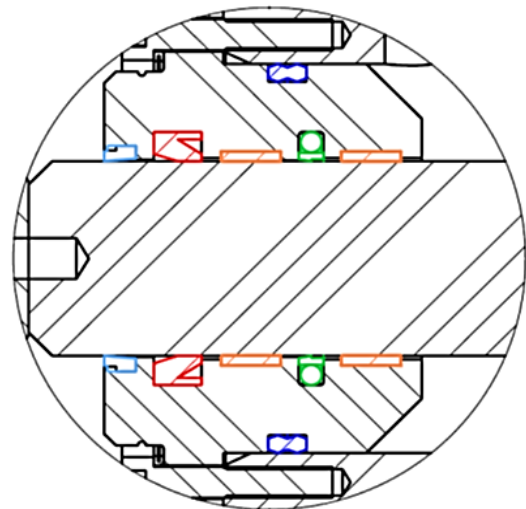
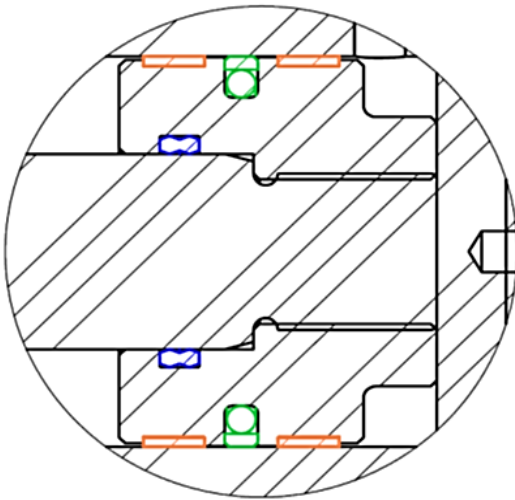
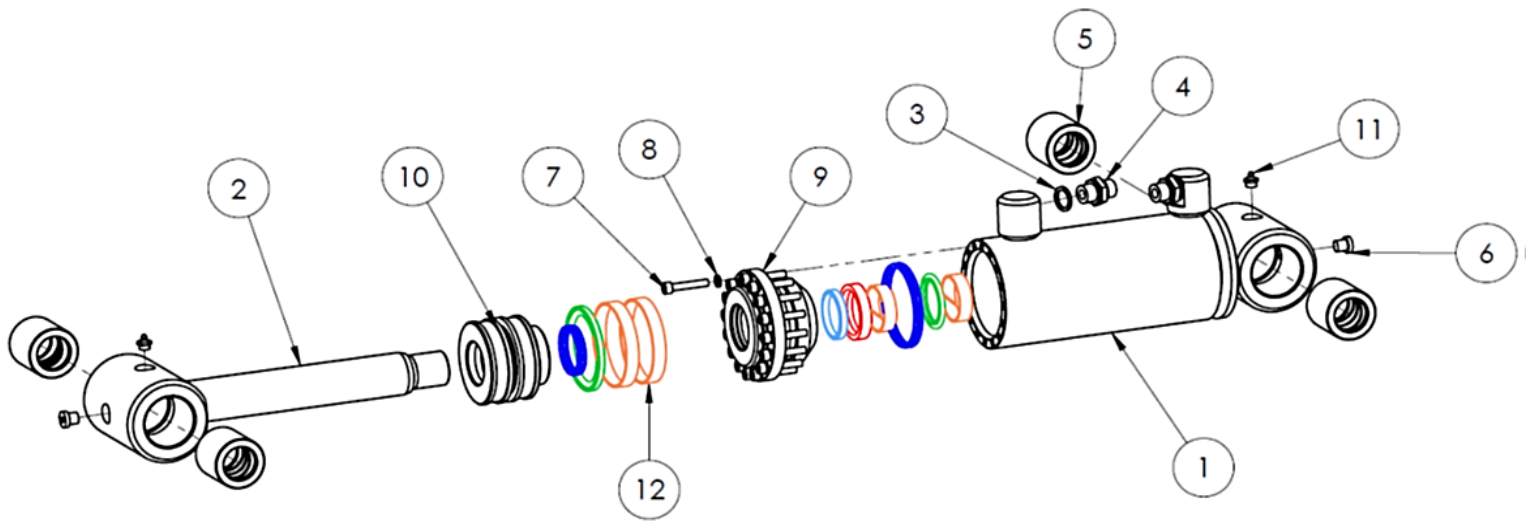
POS.	Q,TY	PART No.	DESCRIPTION
16	1	24007300	BODY
17	12	04009000	TE M12X90
18	12	07000600	LOCKNUT M12
19	2	02017000	INSPECTION DOOR
20	2	02020800	SHAPED DOOR
21	12	04022000	TEF M14X40
22	4	07000700	LOCKNUT M14
23	8	17004400	BUSH
24	2	21011500	BLADE
25	8	04009100	TS M16X50
26	8	07000800	LOCKNUT M16
27	2	52000100	ROD
28	8	16021400	PIN
29	8	25000200	GREASE FITTING
30	10	51000400	SEEGER
31	2	16021500	PIN
32	4	04023500	TE M12X30
33	1	23001302	JAW SX
34	1	23001301	JAW DX
35	1	23001304	JAW DEMOLITION SX
36	1	23001303	JAW DEMOLITION DX
37	1	12000600	JOINT 1/2"
38	1	19003600	CYLINDER

GR5 JOINT EXPLODED VIEW



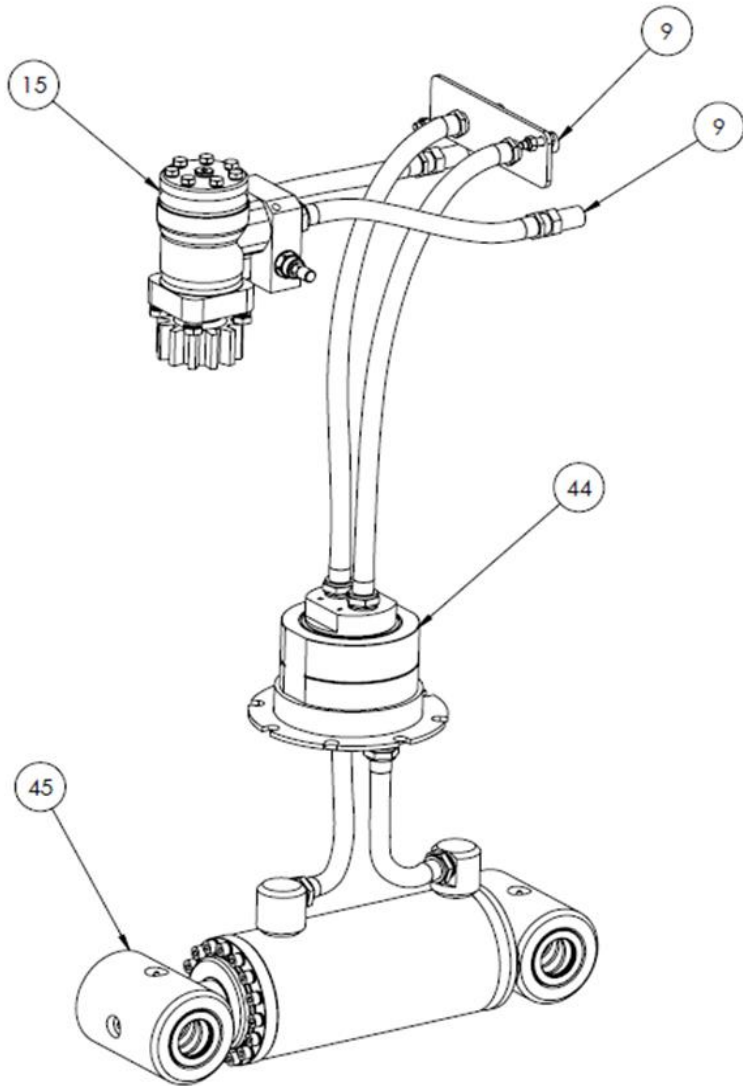
POS.	Q,TY	PART No.	DESCRIPTION
1	1	12001100	STATOR
2	1	12001000	ROTOR
3	4	05000600	BONDED SEAL 1/2"
4	4	03000500	NIPLES 1/2"-1/2"
5	1	51000300	SEEGER
6	1	11000100	BEARING
7	1	11000300	BEARING
8	1	14001000	SEAL KIT

GR5 CYLINDER EXPLODED VIEW

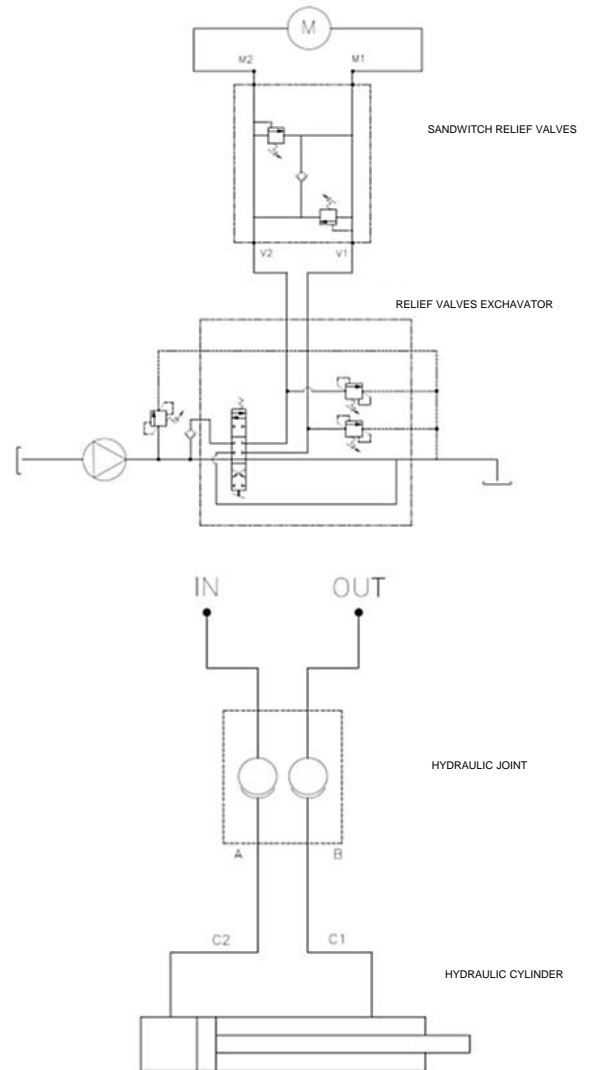


POS.	Q,TY	PART No.	DESCRIPTION
1	1	37000801	CYLINDER LINER
2	1	36000601	CYLINDER ROD
3	2	05000600	BONDED SEAL 1/2"
4	2	03000500	NIPLES 1/2"-1/2"
5	4	17004100	BUSH
6	2	06001300	PLUG 1/4
7	16	04019400	TCEI M8X45
8	16	05002100	NORD-LOCK M8
9	1	39000200	CYLINDER HEAD
10	1	38000200	PISTON CYLINDER
11	2	25000200	GREASE FITTING
12	1	14000401	SEALS CYLINDER KIT

GR5 HYDRAULIC EXPLODED VIEW



HYDRAULIC ROTATION SYSTEM



POS.	Q,TY	PART No.	DESCRIPTION
9	4	03002500	BULKHEAD FITTING 1/2"
15	1	01001000	COMPLETE ENGINE
44	1	12000600	JOINT 1/2"
45	1	19003600	CYLINDER