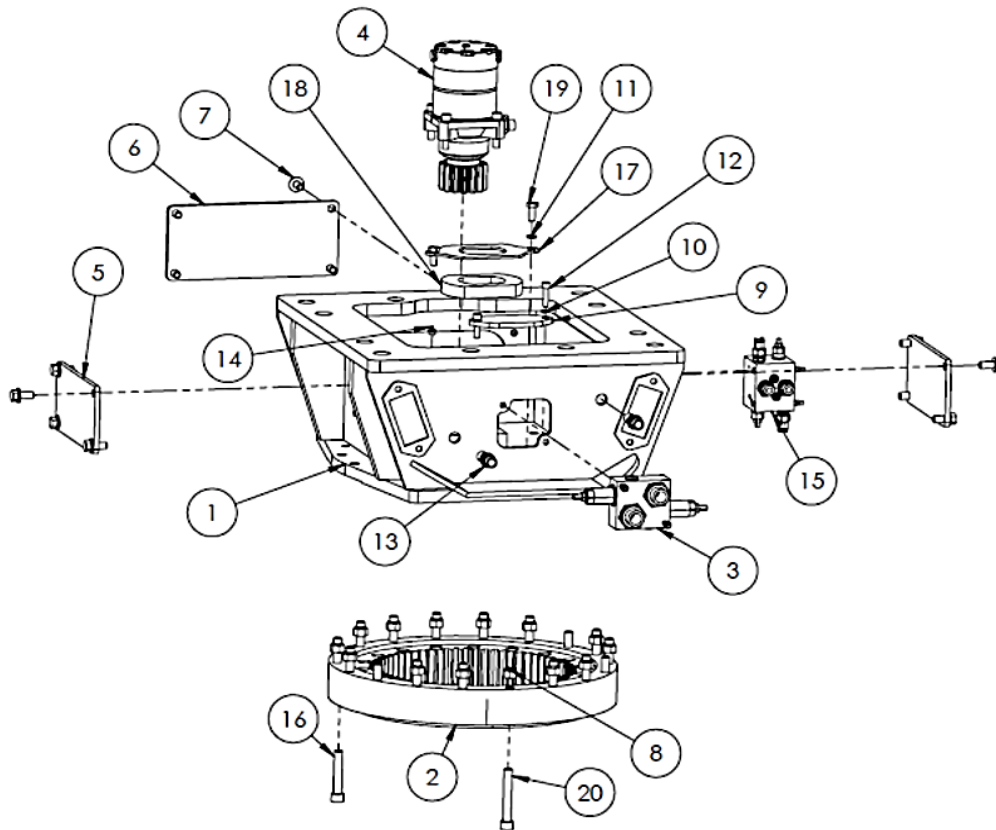
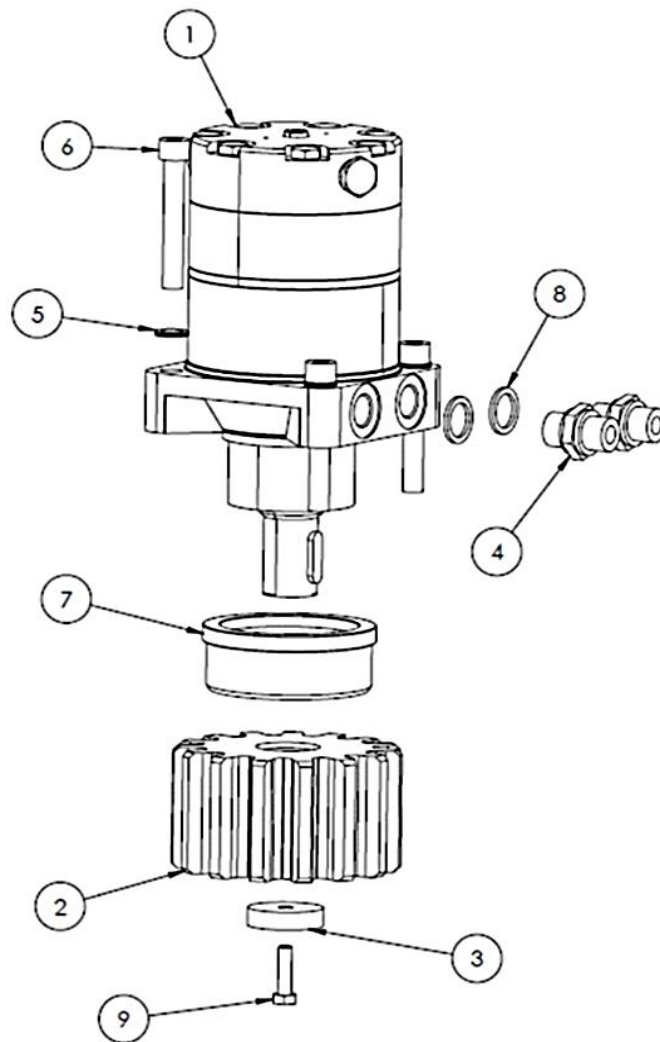


MC10 ROTATION EXPLODED VIEW



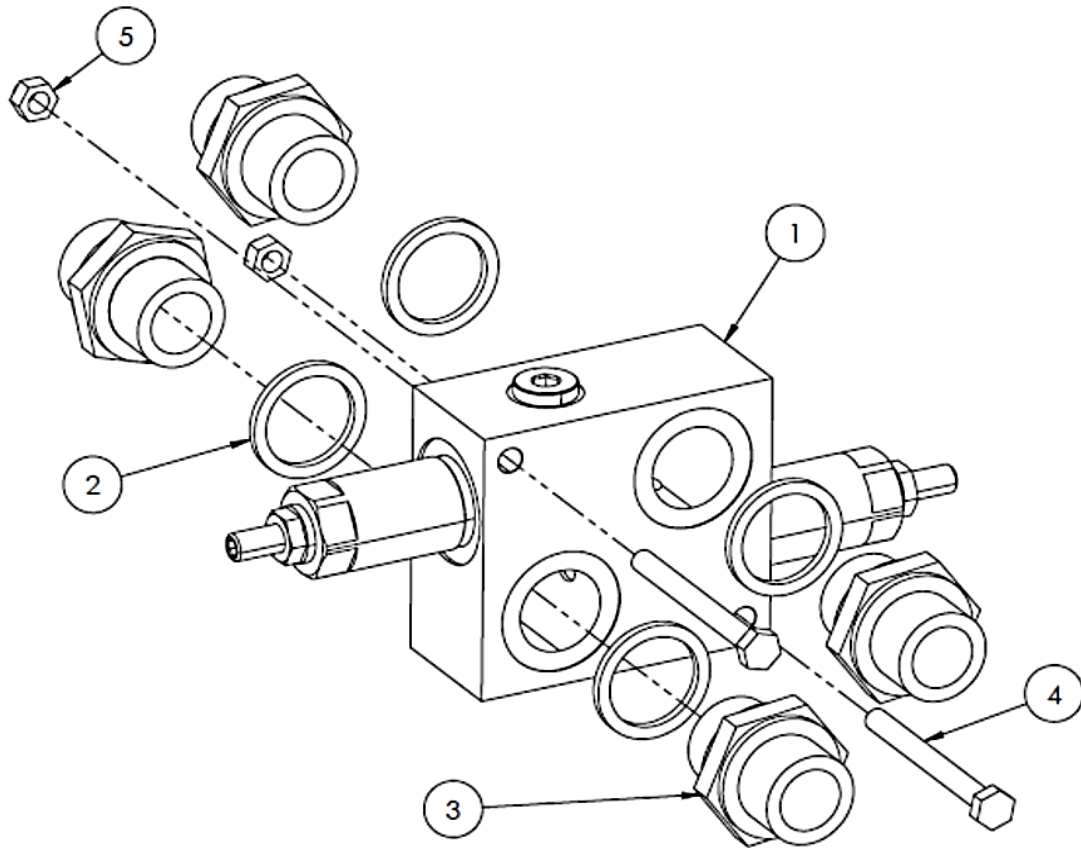
POS.	Q,TY	PART No.	DESCRIPTION
1	1	13000100	ROTATION BOX
2	1	27000100	BEARING
3	1	29002800	OVERCENTER VALVE
4	1	01001101	ENGINE
5	2	02017000	INSPECTION DOOR
6	1	02017100	INSPECTION DOOR
7	12	04019500	TEF M14X30
8	14	07000800	LOCKNUT M16
9	1	02004300	INSPECTION DOOR
10	2	05000900	NORD-LOCK M10
11	2	05001000	NORD-LOCK M12
12	2	04019700	TCEI M10X40
13	2	03002500	BULKHEAD FITTING 1/2"
14	1	25000200	GREASE FITTING
15	1	29002900	CONTROL ROTATION VALVE
16	4	04001900	TCEI M16X90
17	1	02019600	ADAPTER PLATE
18	1	02019500	JOINT ADAPTER
19	2	04023500	TE M12X30
20	14	04001700	TCEI M16X110

MC10 MOTOR EXPLODED VIEW



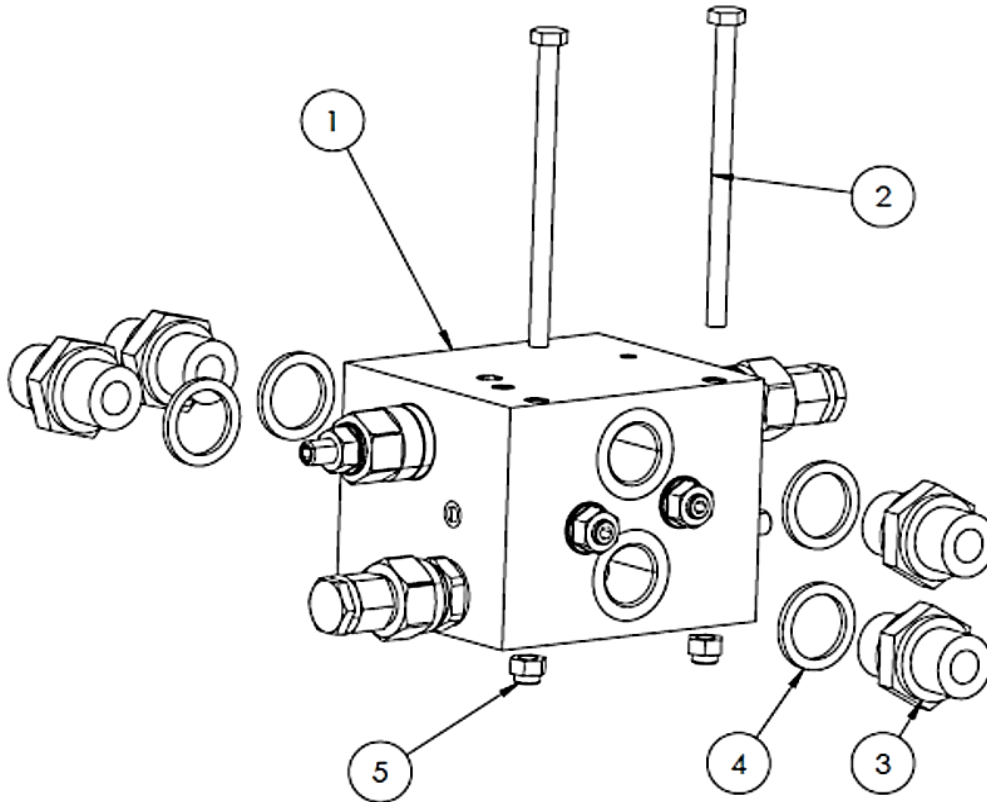
POS.	Q,TY	PART No.	DESCRIPTION
1	1	01001500	ENGINE 3.0
2	1	01001600	SPROCKET
3	1	05005600	SPROCKET WASHER
4	2	03000500	NIPLES 1/2"-1/2"
5	4	05001000	NORD-LOCK M12
6	4	04019300	TCEI M12X80
7	1	17006900	MOTOR BUSHING
8	2	05000600	BONDED SEAL 1/2"
9	1	04022100	TE M8X30
-	1	14003500	SEALS KIT

MC10 VALVE EXPLODED VIEW



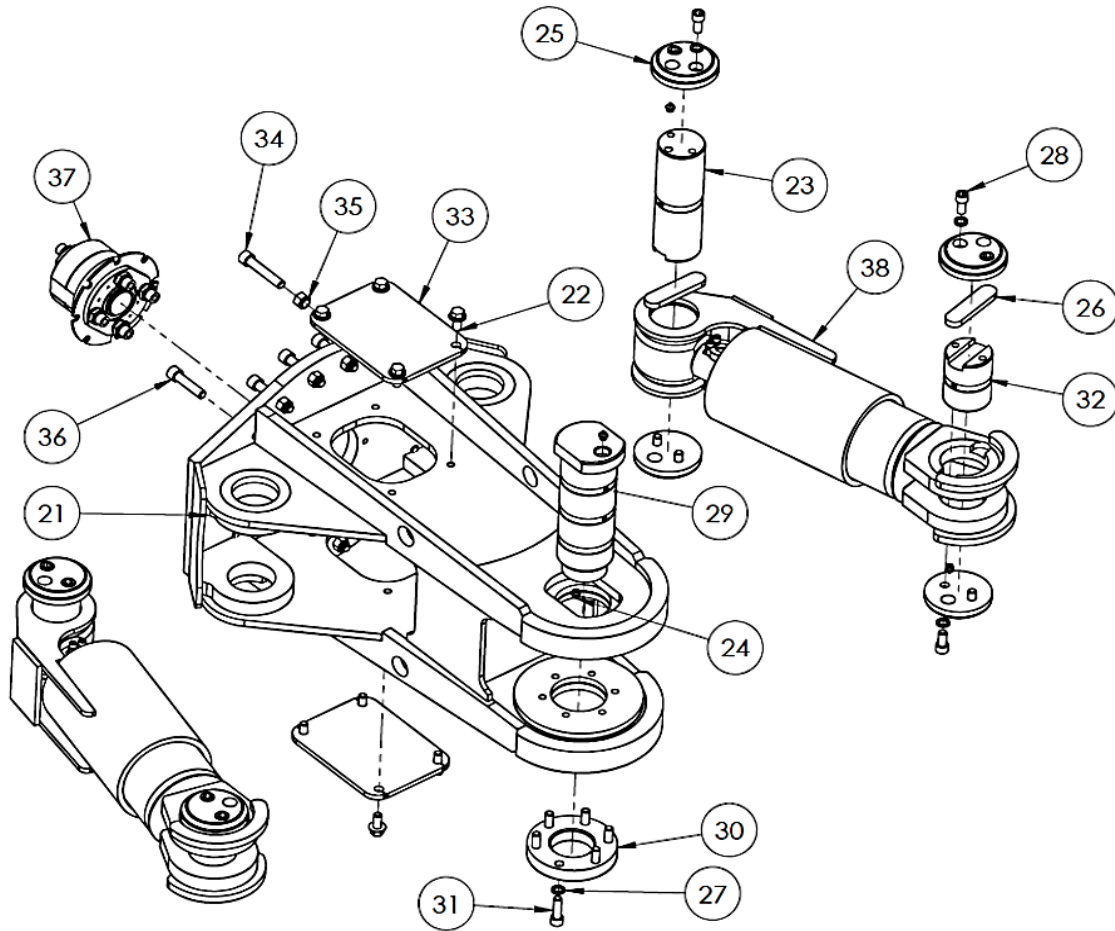
POS.	Q,TY	PART No.	DESCRIPTION
1	1	29000100	PRESSURE RELEIF VALVE
2	4	05000800	BONDED SEAL 1"
3	4	03000700	NIPLES 1" - 1"
4	2	04002100	TE M8X80
5	2	07000400	LOCKNUT M8

MC10 VALVE EXPLODED VIEW



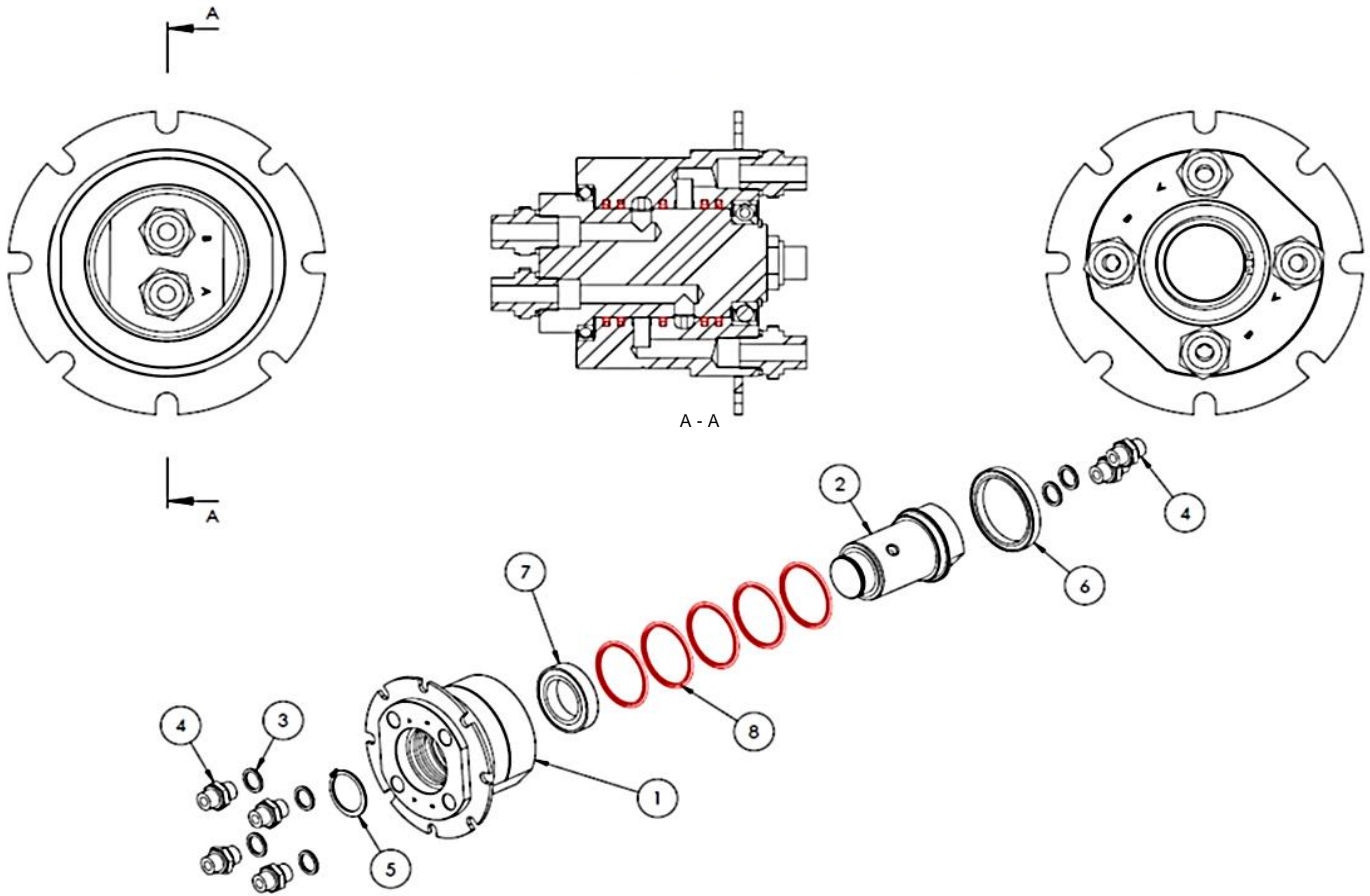
POS.	Q,TY	PART No.	DESCRIPTION
1	1	29001701	ROTATION CONTROL VALVE
2	2	04020300	TE M6X100
3	4	03000500	NIPLES 1/2"-1/2"
4	4	05000600	BONDED SEAL 1/2"
5	2	07002100	LOCKNUT M6

MC10 BODY EXPLODED VIEW



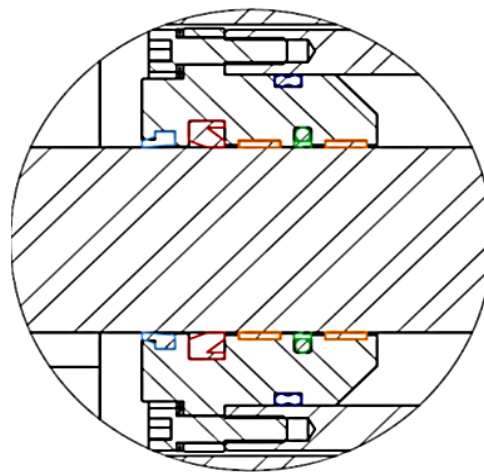
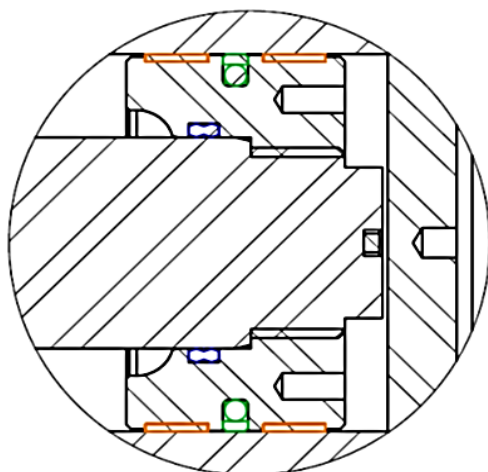
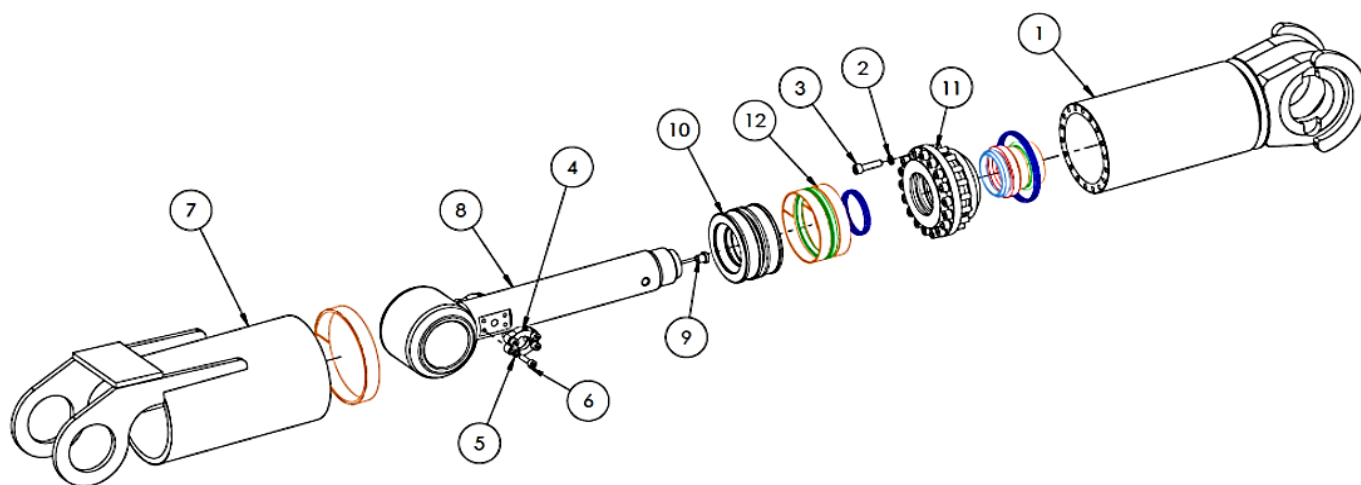
POS.	Q,TY	PART No.	DESCRIPTION
21	1	24002600	BODY
22	8	04019500	TEF M14X30
23	2	16008900	PIN
24	6	25000200	GREASE FITTING
25	8	18000800	FLANGE
26	4	15000300	TAB
27	22	05001100	NORD-LOCK M14
28	16	04001200	TCEI M14X30
29	1	16009000	PIN
30	1	18000600	FLANGE
31	6	04001500	TCEI M14X45
32	2	16008800	PIN
33	2	02004400	DOOR
34	10	04001900	TCEI M16X90
35	10	07000800	LOCKNUT M16
36	8	04021900	TCEI M16X70
37	1	12000601	JOINT 1/2"
38	2	19004800	CYLINDER

MC10 JOINT EXPLODED VIEW



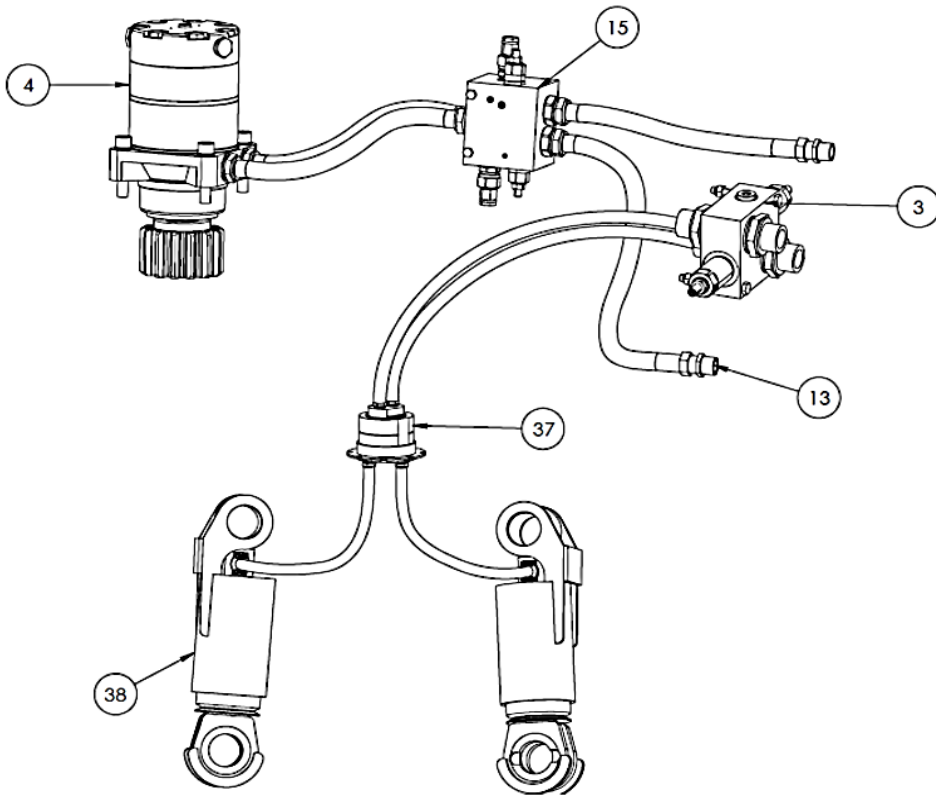
POS.	Q,TY	PART No.	DESCRIPTION
1	1	12001101	STATOR
2	1	12001000	ROTOR
3	6	05000600	BONDED SEAL 1/2"
4	4	03000800	NIPLES 1/2" - 3/8"
5	2	03000500	NIPLES 1/2"-1/2"
6	1	51000300	SEGER
7	1	11000100	BEARING
8	1	11000300	BEARING
9	1	14001000	SEAL KIT

MC10 CYLINDER EXPLODED VIEW

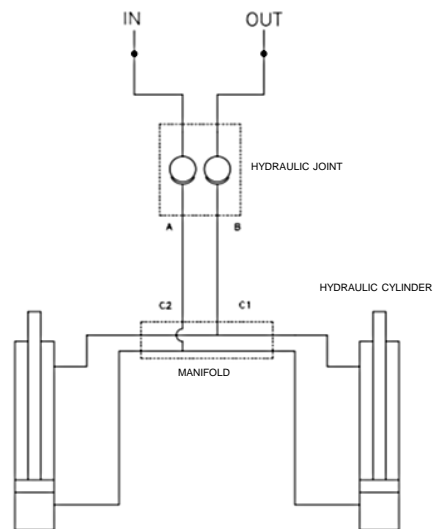
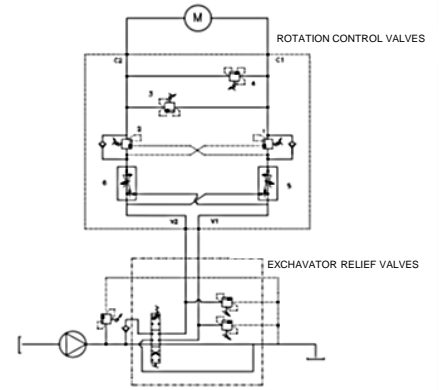


POS.	Q,TY	PART No.	DESCRIPTION
1	1	37001501	CYLINDER LINER
2	18	05000900	NORD-LOCK M10
3	18	04019700	TCEI M10X40
4	2	03001000	SEMIFLANGIA SAE 6000 1/2"
5	8	05002100	NORD-LOCK M8
6	8	04005100	TCEI M8X30
7	1	43000200	CARTER
8	1	36002900	CYLINDER ROD
9	1	06001300	PLUG 1/4
10	1	38000300	PISTON CYLINDER
11	1	39000300	CYLINDER HEAD
12	1	14000101	SEALS CYLINDER KIT

MC10 HYDRAULIC EXPLODED VIEW



HYDRAULIC ROTATION SYSTEM



POS.	Q,TY	PART No.	DESCRIPTION
3	1	29002800	OVERCENTER VALVE
4	1	01001101	COMPLETE ENGINE
13	2	03002500	BULKHEAD FITTING 1/2"
15	1	29002900	CONTROL ROTATION VALVE
37	1	12000601	JOINT 1/2"
38	2	19004800	CYLINDER