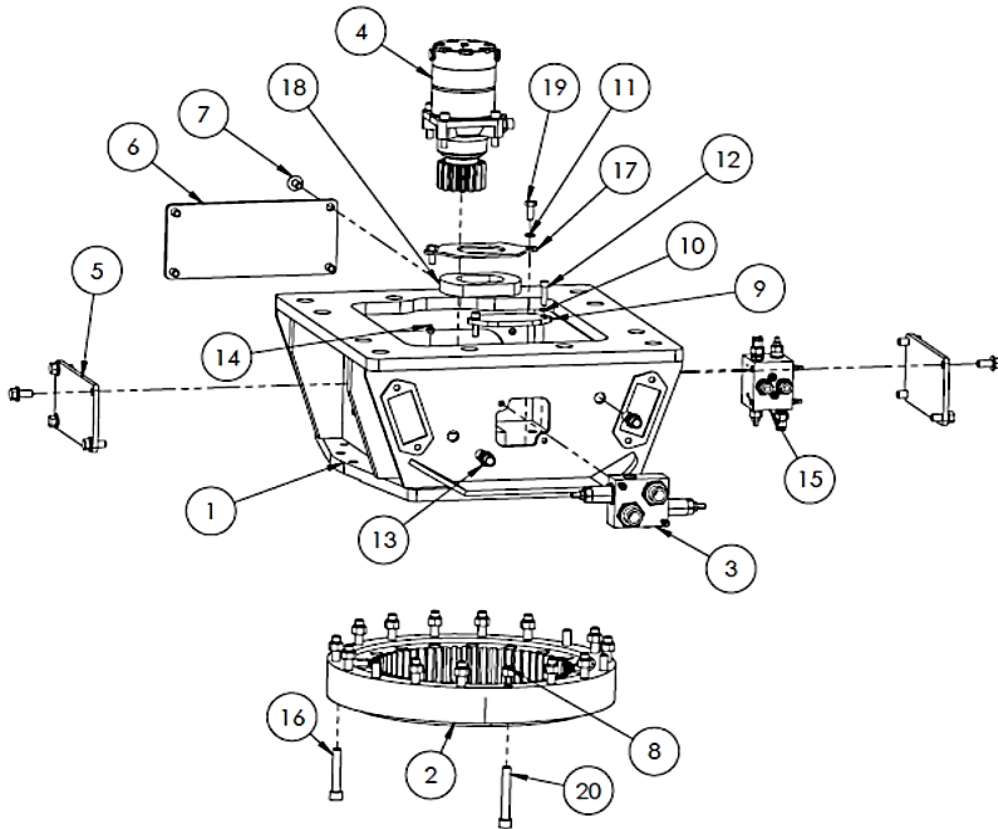
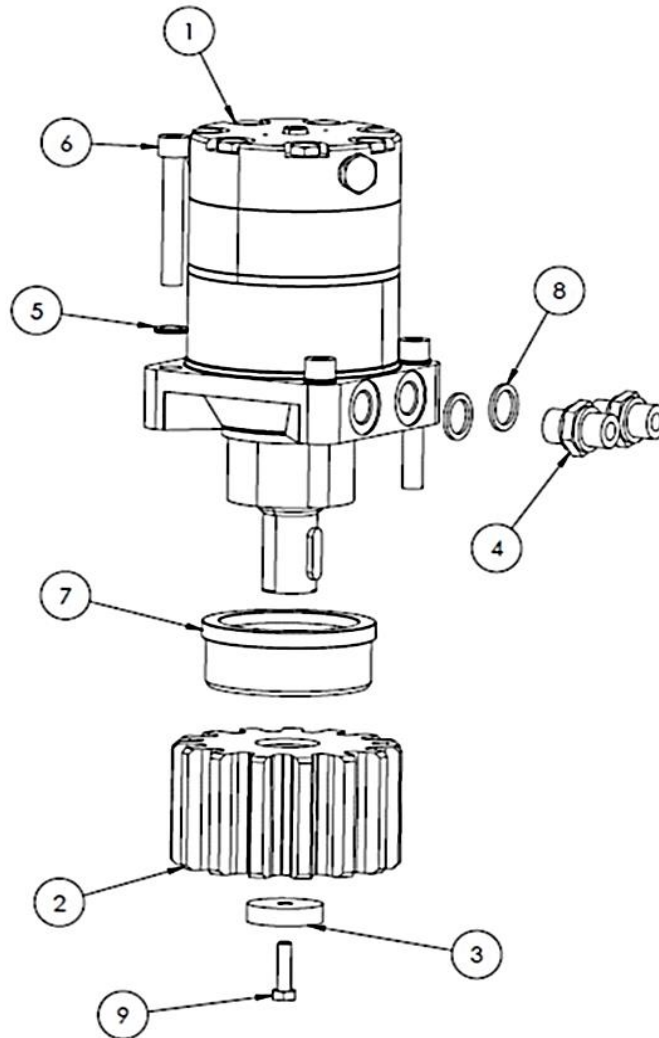


MC15 ROTATION EXPLODED VIEW



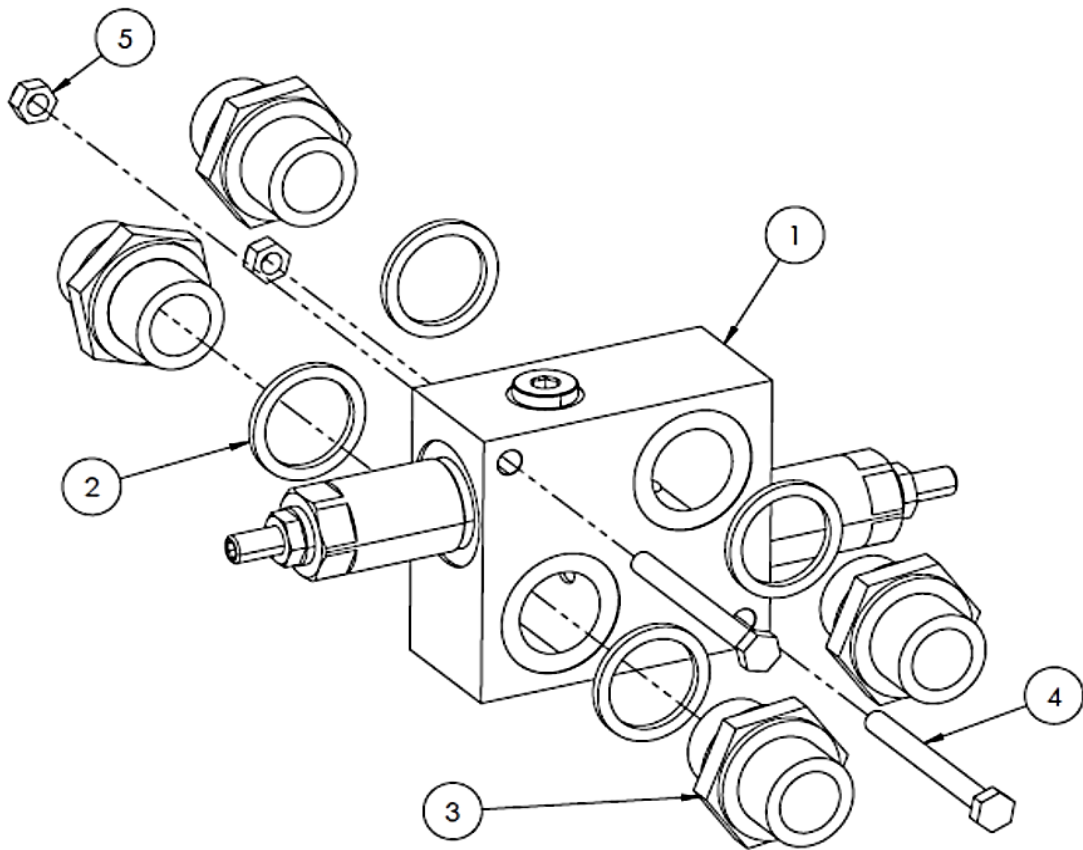
POS.	Q,TY	PART No.	DESCRIPTION
1	1	13000100	ROTATION BOX
2	1	27000100	BEARING
3	1	29002800	OVERCENTER VALVE
4	1	01001101	ENGINE
5	2	02017000	INSPECTION DOOR
6	1	02017100	INSPECTION DOOR
7	12	04019500	TEF M14X30
8	14	07000800	LOCKNUT M16
9	1	02004300	INSPECTION DOOR
10	2	05000900	NORD-LOCK M10
11	2	05001000	NORD-LOCK M12
12	2	04019700	TCEI M10X40
13	2	03002500	BULKHEAD FITTING 1/2"
14	1	25000200	GREASE FITTING
15	1	29002900	CONTROL ROTATION VALVE
16	4	04001900	TCEI M16X90
17	1	02019600	ADAPTER PLATE
18	1	02019500	JOINT ADAPTER
19	2	04023500	TE M12X30
20	14	04001700	TCEI M16X110

MC15 MOTOR EXPLODED VIEW



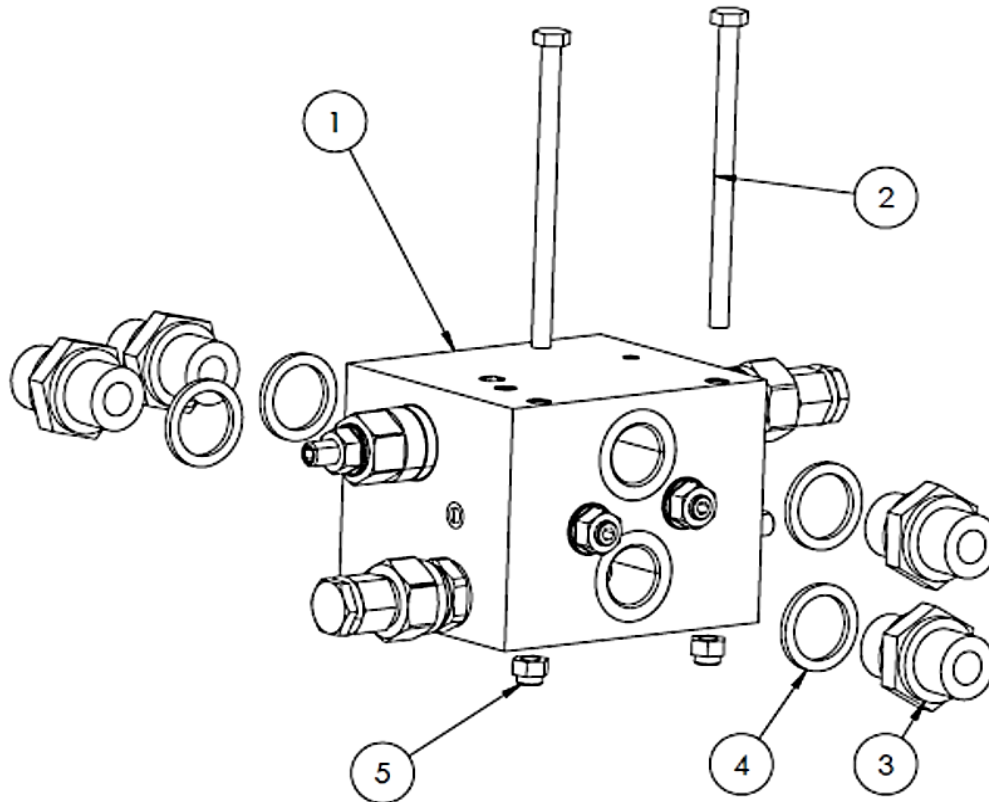
POS.	Q,TY	PART No.	DESCRIPTION
1	1	01001500	ENGINE 3.0
2	1	01001600	SPROCKET
3	1	05005600	SPROCKET WASHER
4	2	03000500	NIPLES 1/2"-1/2"
5	4	05001000	NORD-LOCK M12
6	4	04019300	TCEI M12X80
7	1	17006900	MOTOR BUSHING
8	2	05000600	BONDED SEAL 1/2"
9	1	04022100	TE M8X30
-	1	14003500	SEALS KIT

MC15 VALVE EXPLODED VIEW



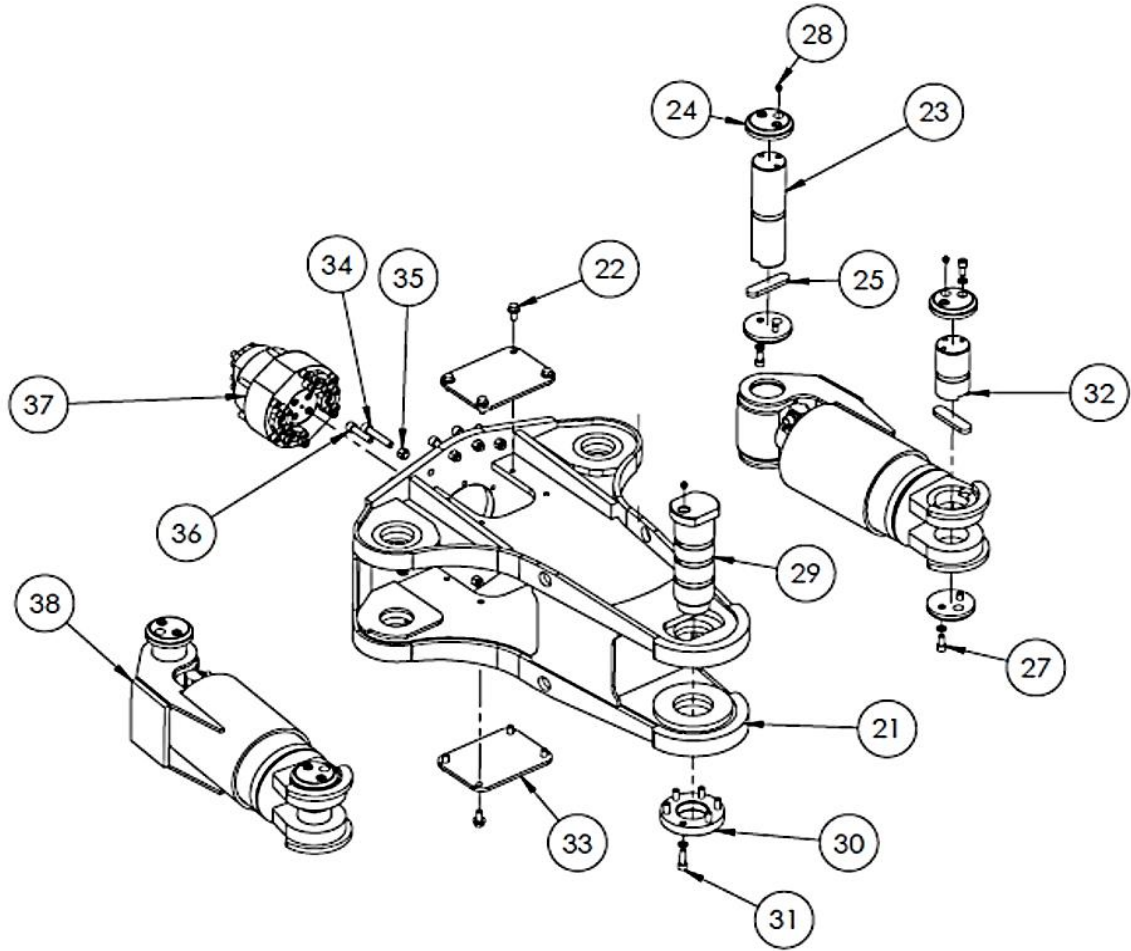
POS.	Q,TY	PART No.	DESCRIPTION
1	1	29000100	PRESSURE RELEIF VALVE
2	4	05000800	BONDED SEAL 1"
3	4	03000700	NIPLES 1" - 1"
4	2	04002100	TE M8X80
5	2	07000400	LOCKNUT M8

MC15 VALVE EXPLODED VIEW



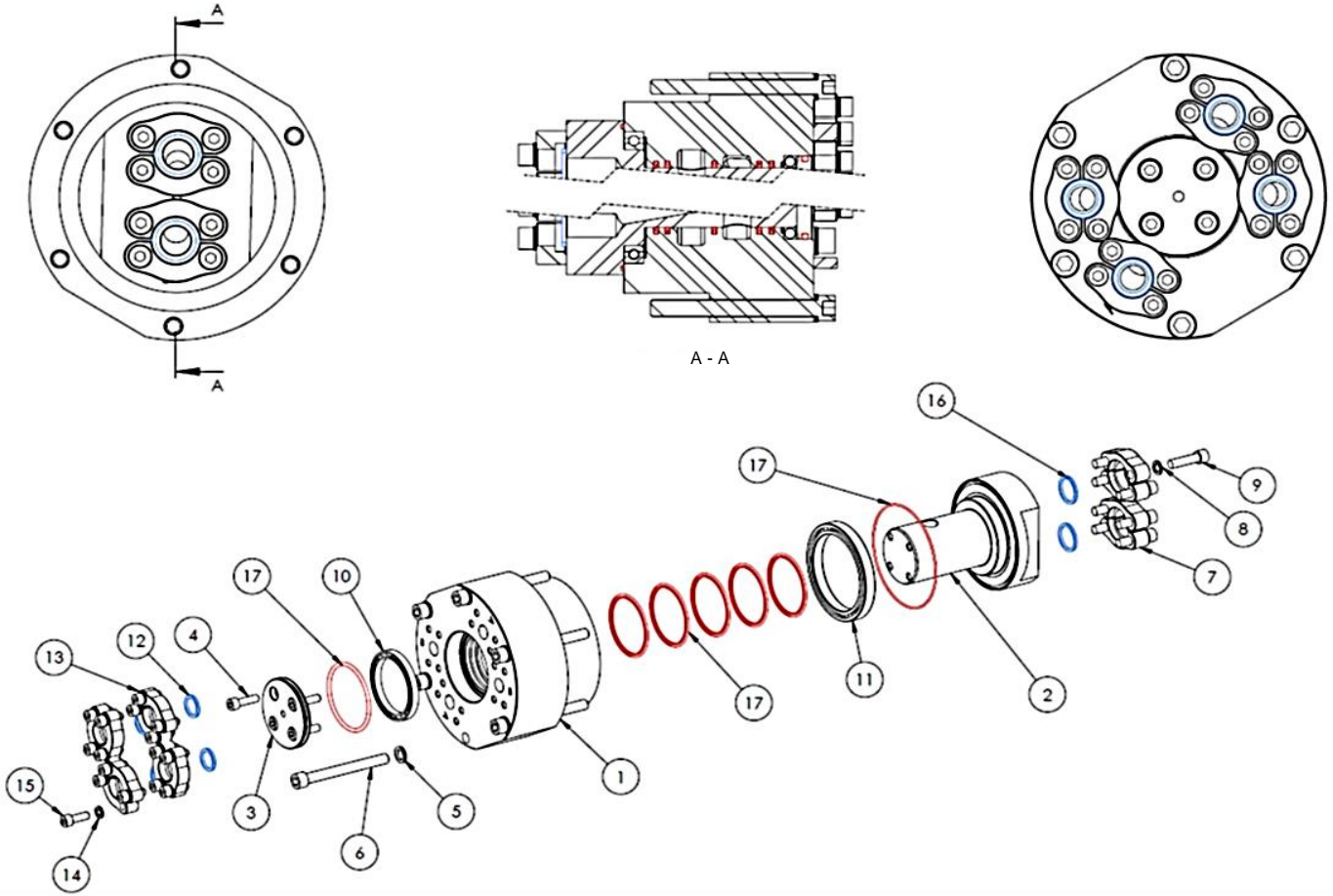
POS.	Q,TY	PART No.	DESCRIPTION
1	1	29001701	ROTATION CONTROL VALVE
2	2	04020300	TE M6X100
3	4	03000500	NIPLES 1/2"-1/2"
4	4	05000600	BONDED SEAL 1/2"
5	2	07002100	LOCKNUT M6

MC15 BODY EXPLODED VIEW



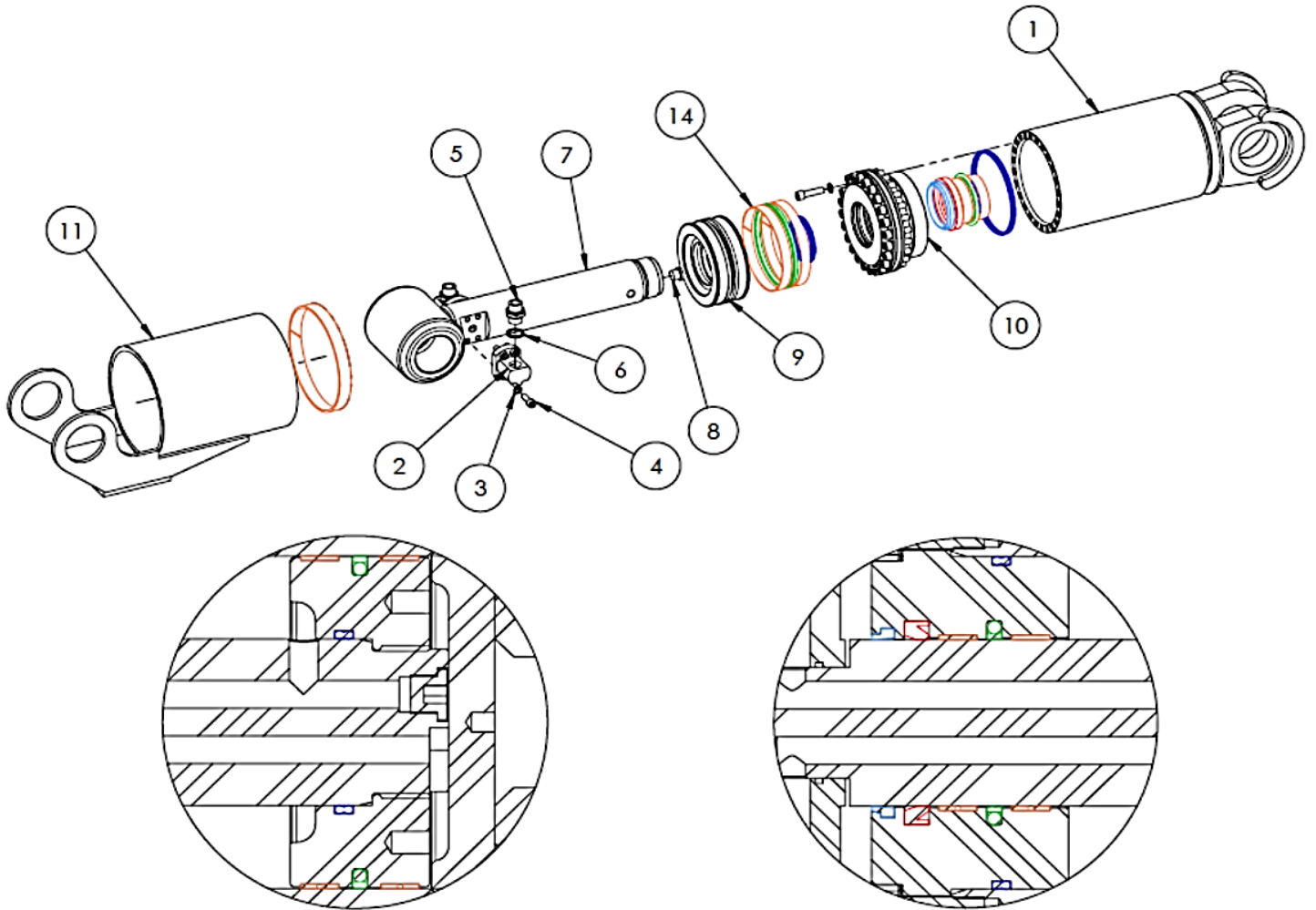
POS.	Q,TY	PART No.	DESCRIPTION
21	1	24002700	BODY
22	8	04019500	TEF M14X30
23	2	16009800	PIN
24	8	18000800	FLANGE
25	4	15000300	TAB
26	22	05001100	NORD-LOCK M14
27	16	04001200	TCEI M14X30
28	5	25000200	GREASE FITTING
29	1	16009400	PIN
30	1	18000600	FLANGE
31	6	04001500	TCEI M14X45
32	2	16005900	PIN
33	2	02004400	DOOR
34	14	04001900	TCEI M16X90
35	14	07000800	LOCKNUT M16
36	4	04021900	TCEI M16X70
37	1	12000101	JOINT 1"
38	2	19004900	CYLINDER

MC15 JOINT EXPLODED VIEW



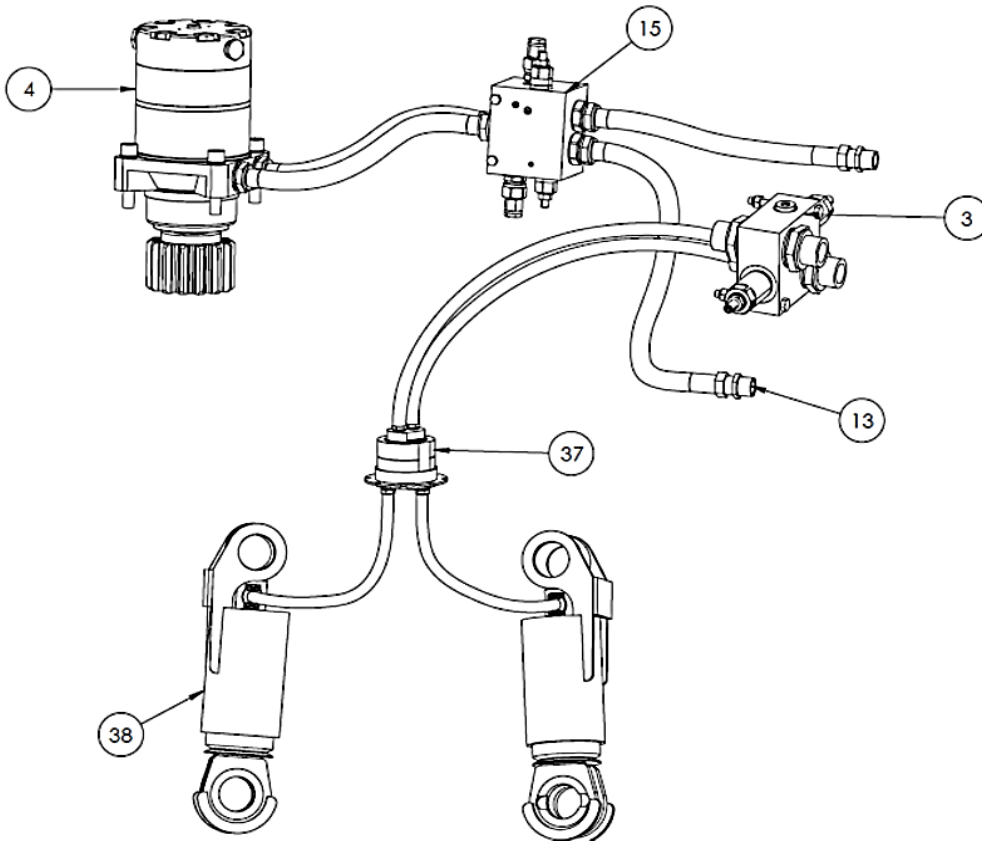
POS.	Q,TY	PART No.	DESCRIPTION
1	1	12000302	STATOR
2	1	12000400	ROTOR
3	1	02010900	FLANGE JOINT
4	4	04008200	TCEI M10X35
5	6	05001100	NORD-LOCK M14
6	6	04001600	TCEI M14X135
7	2	03001200	SEMIFANGIA SAE 6000 1"
8	8	05001000	NORD-LOCK M12
9	8	04007800	TCEI M12X45
10	1	11000100	BEARING
11	1	11000200	BEARING
12	4	05000200	FACE SEAL 3-4"
13	4	03001100	SEMIFLANGIA SAE 6000 3/4"
14	16	05000900	NORD-LOCK M10
15	16	04001300	TCEI M10X30
16	2	05000400	FACE SEAL 1"
17	1	14000700	SEAL KIT

MC15 CYLINDER EXPLODED VIEW

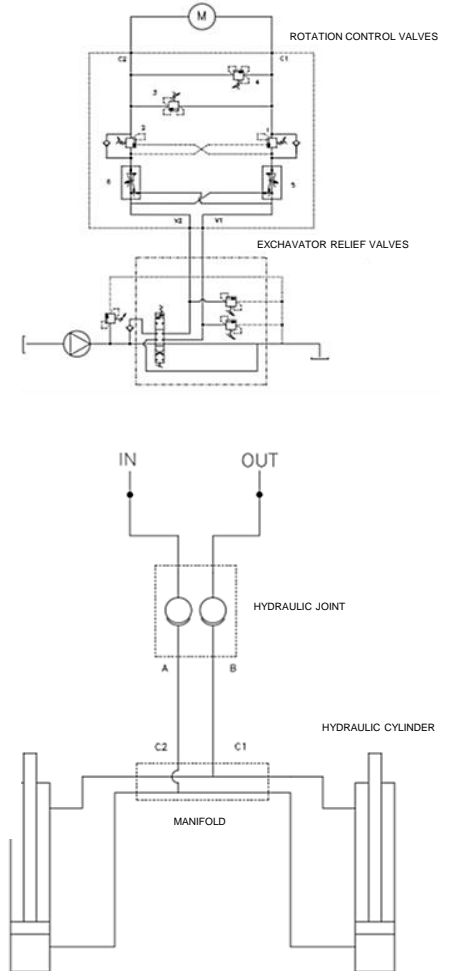


POS.	Q,TY	PART No.	DESCRIPTION
1	1	37002201	CYLINDER LINER
2	2	49000100	OIL NOZZLE
3	8	05000900	NORD-LOCK M10
4	8	04001300	TCEI M10X30
5	2	03000200	NIPLES 3/4"-3/4"
6	2	05000300	BONDED SEAL 3/4"
7	1	36001701	CYLINDER ROD
8	1	06001500	PLUG 1/2
9	1	38000500	PISTON CYLINDER
10	1	39000400	CYLINDER HEAD
11	1	19004000	CARTER
12	24	05001000	NORD-LOCK M12
13	24	04007800	TCEI M12X45
14	1	14000801	SEALS CYLINDER KIT

MC15 HYDRAULIC EXPLODED VIEW



HYDRAULIC ROTATION SYSTEM



POS.	Q,TY	PART No.	DESCRIPTION
3	1	29002800	OVERCENTER VALVE
4	1	01001101	COMPLETE ENGINE
13	2	03002500	BULKHEAD FITTING 1/2"
15	1	29002900	CONTROL ROTATION VALVE
37	1	12000101	JOINT 1/2"
38	2	19004900	CYLINDER