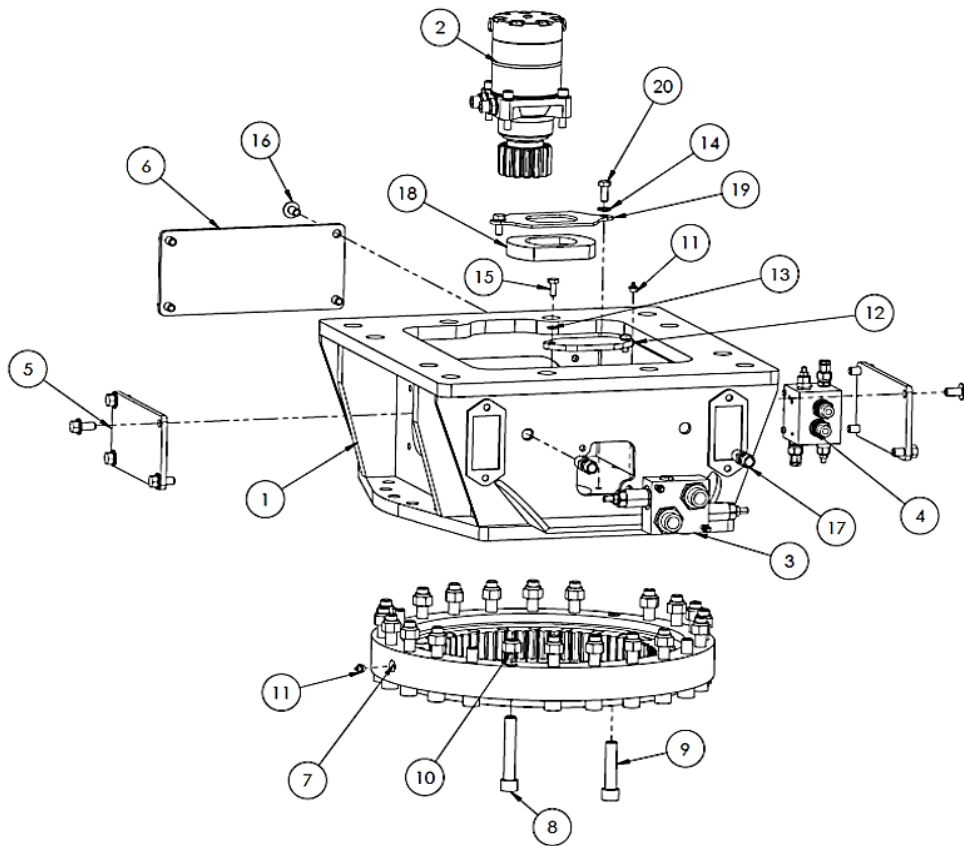
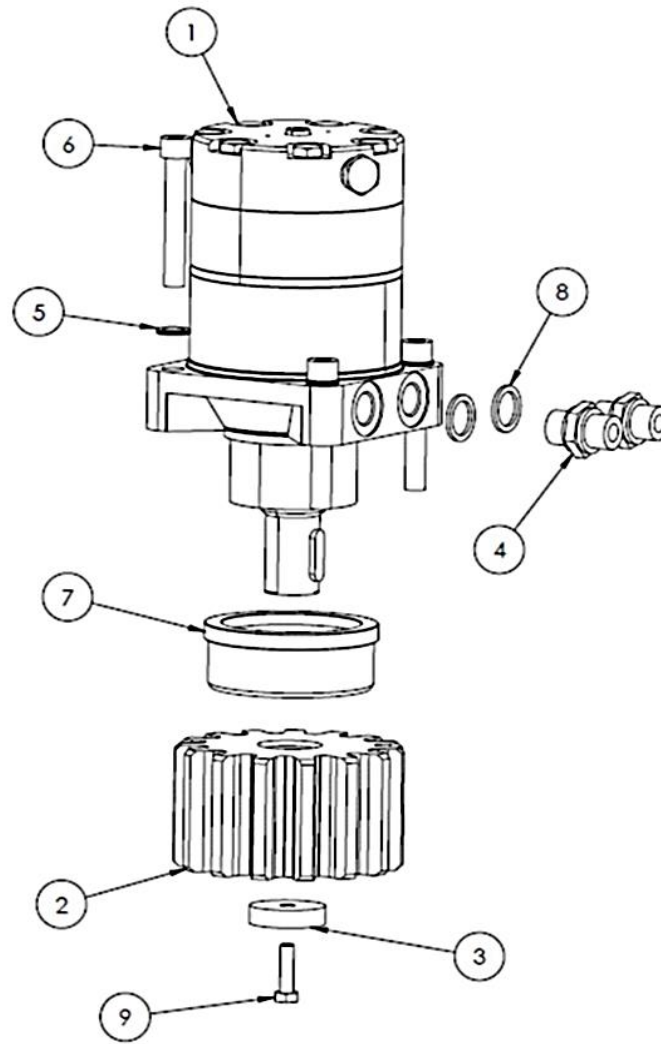


MC18 ROTATION EXPLODED VIEW



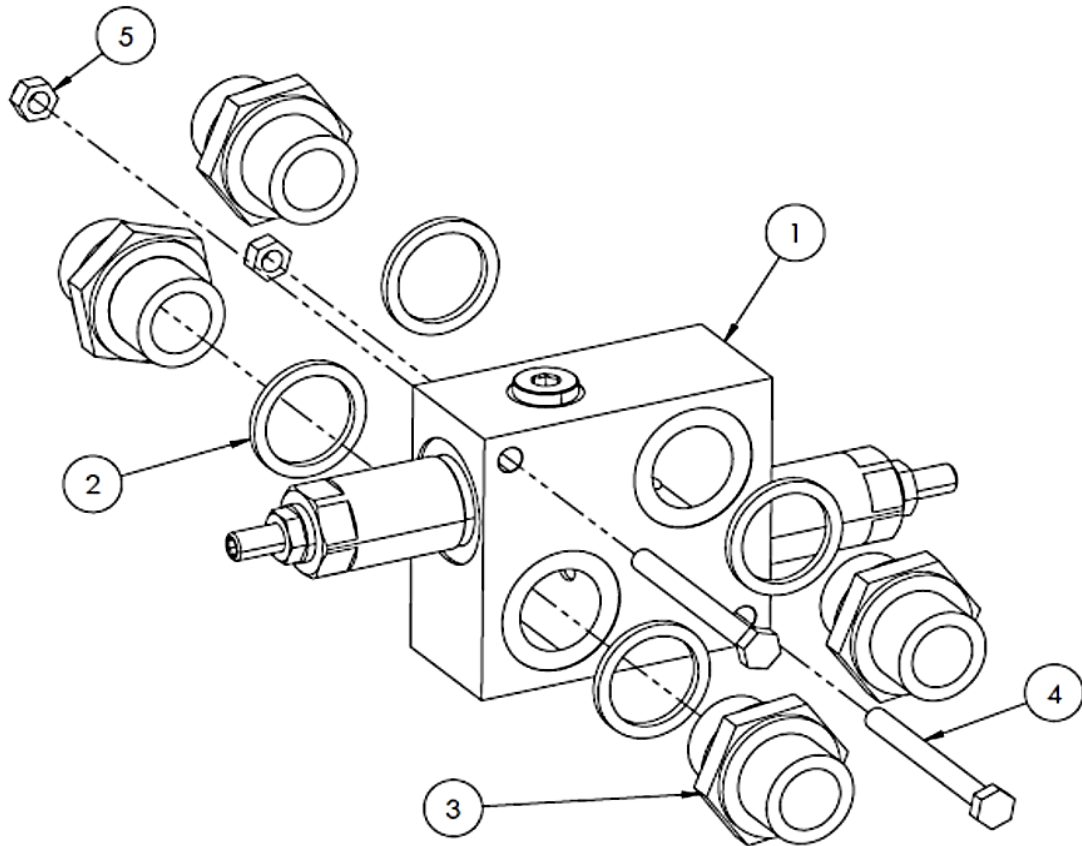
POS.	Q,TY	PART No.	DESCRIPTION
1	1	13001000	ROTATION BOX
2	1	01001101	ENGINE
3	1	29002800	OVERCENTER VALVE
4	1	29002900	CONTROL ROTATION VALVE
5	2	02017000	INSPECTION DOOR
6	1	02017100	INSPECTION DOOR
7	1	27000200	THRUST BEARING
8	20	04002600	TCEI M20X120
9	4	04007100	TCEI M20X90
10	20	07000200	LOCKNUT M20
11	2	25000200	GREASE FITTING
12	1	02004300	INSPECTION DOOR
13	2	05000900	NORD-LOCK M10
14	2	05001000	NORD-LOCK M12
15	2	04010500	TE M10X25
16	12	04019500	TEF M14X30
17	2	03002500	BULKHEAD FITTING 1/2"
18	1	02019500	JOINT ADAPTER
19	1	02019600	ADAPTER PLATE
20	2	04023500	TE M12X30

MC18 MOTOR EXPLODED VIEW



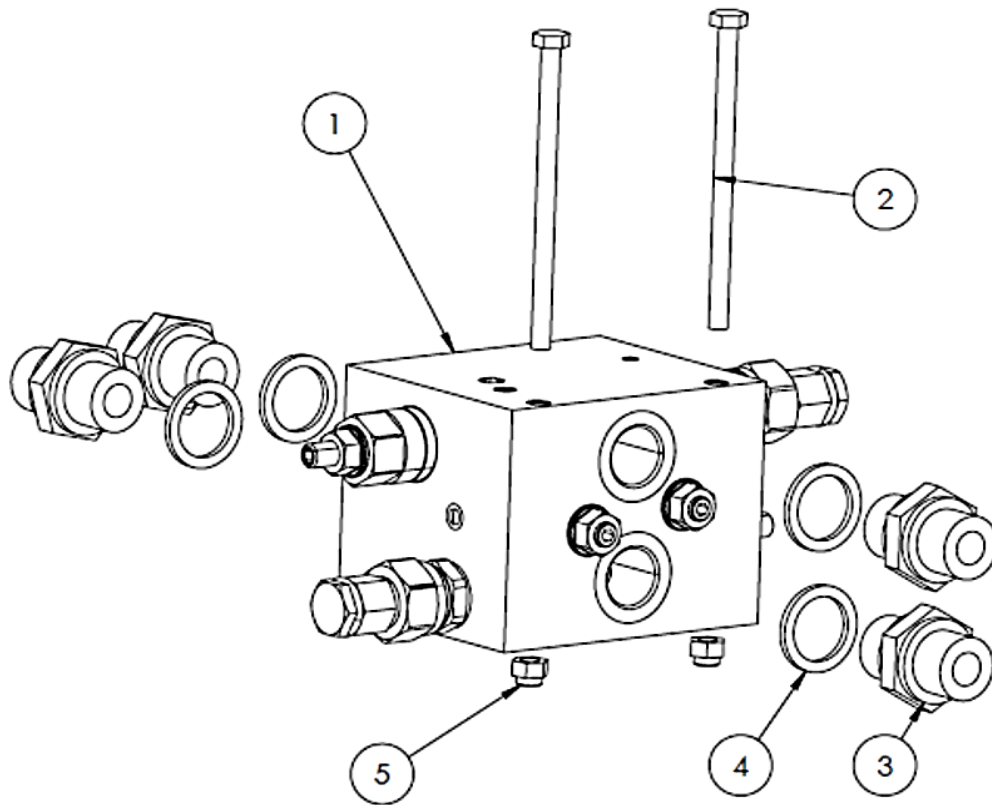
POS.	Q,TY	PART No.	DESCRIPTION
1	1	01001500	ENGINE 3.0
2	1	01001600	SPROCKET
3	1	05005600	SPROCKET WASHER
4	2	03000500	NIPLES 1/2"-1/2"
5	4	05001000	NORD-LOCK M12
6	4	04019300	TCEI M12X80
7	1	17006900	MOTOR BUSHING
8	2	05000600	BONDED SEAL 1/2"
9	1	04022100	TE M8X30
-	1	14003500	SEALS KIT

MC18 VALVE EXPLODED VIEW



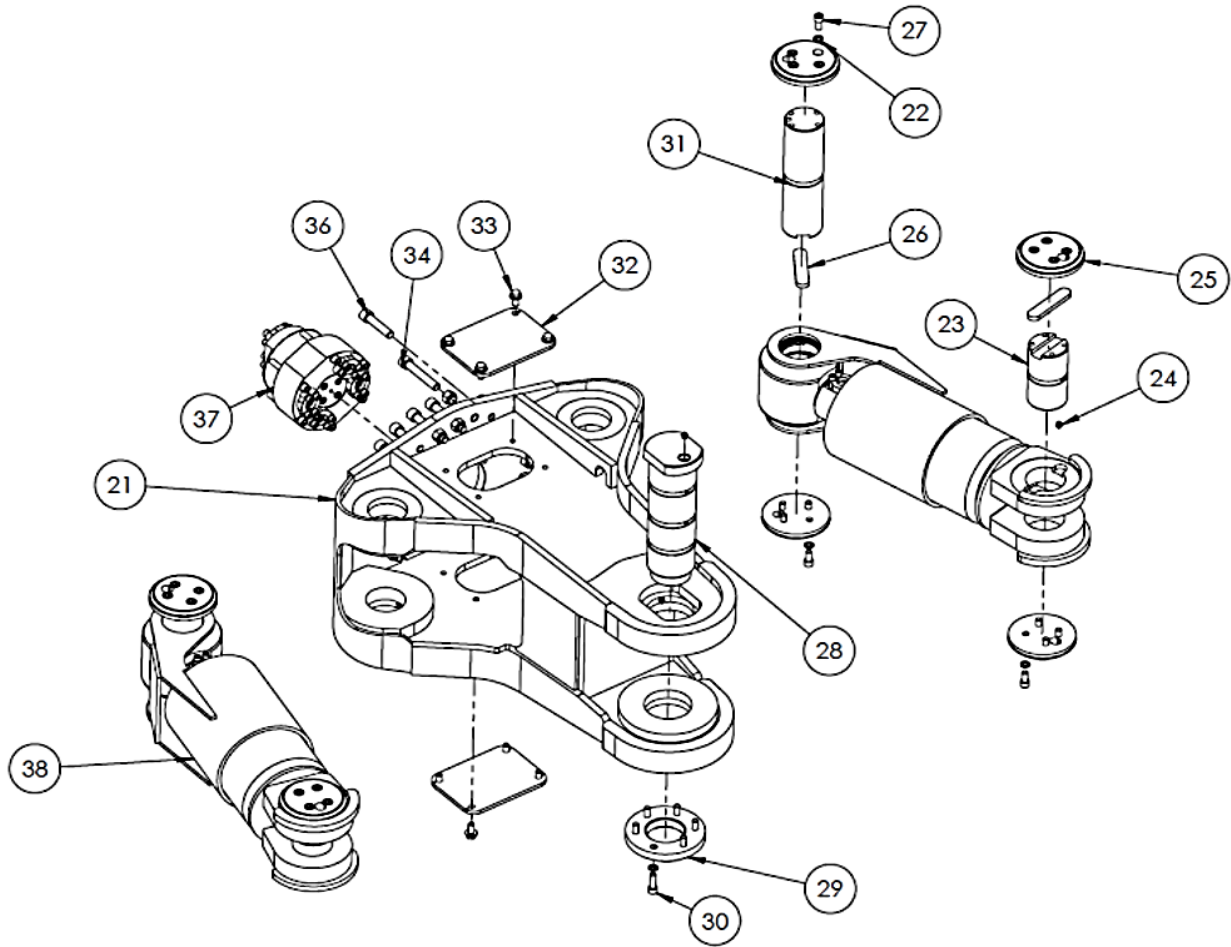
POS.	Q,TY	PART No.	DESCRIPTION
1	1	29000100	PRESSURE RELEIF VALVE
2	4	05000800	BONDED SEAL 1"
3	4	03000700	NIPLES 1" - 1"
4	2	04002100	TE M8X80
5	2	07000400	LOCKNUT M8

MC18 VALVE EXPLODED VIEW



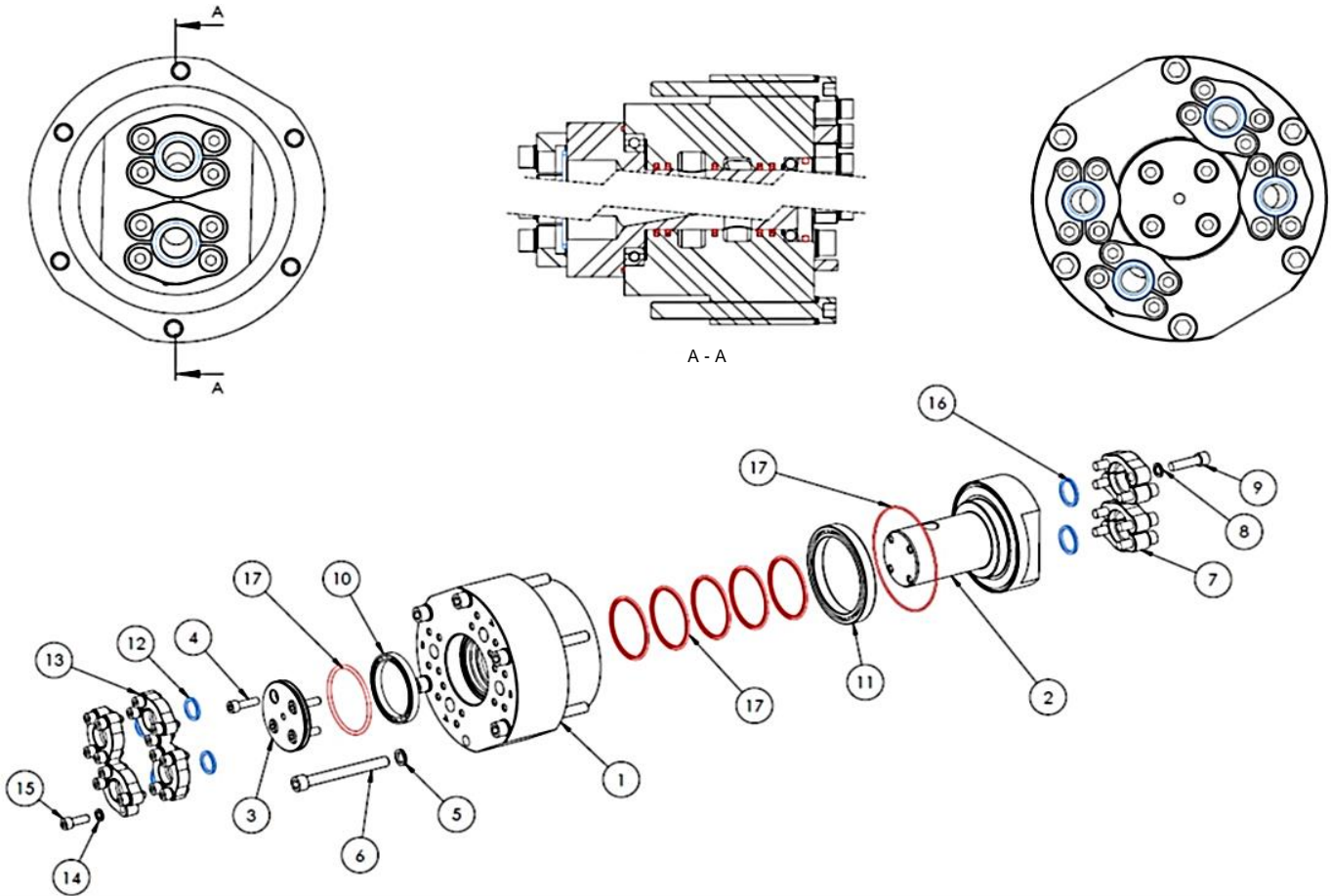
POS.	Q,TY	PART No.	DESCRIPTION
1	1	29001701	ROTATION CONTROL VALVE
2	2	04020300	TE M6X100
3	4	03000500	NIPLES 1/2"-1/2"
4	4	05000600	BONDED SEAL 1/2"
5	2	07002100	LOCKNUT M6

MC18 BODY EXPLODED VIEW



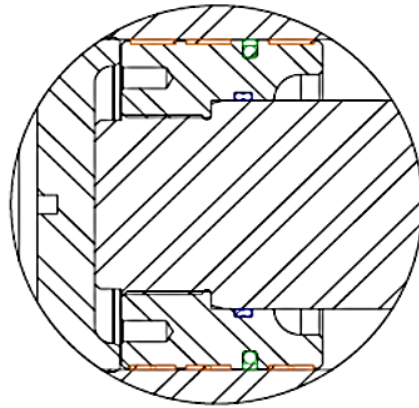
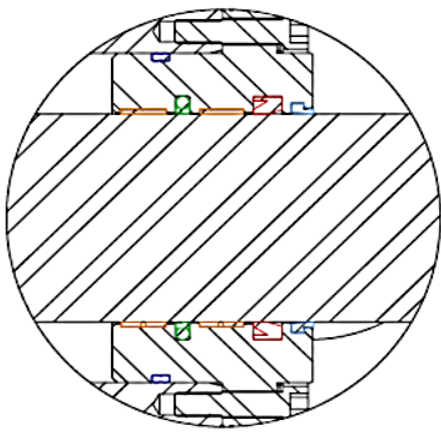
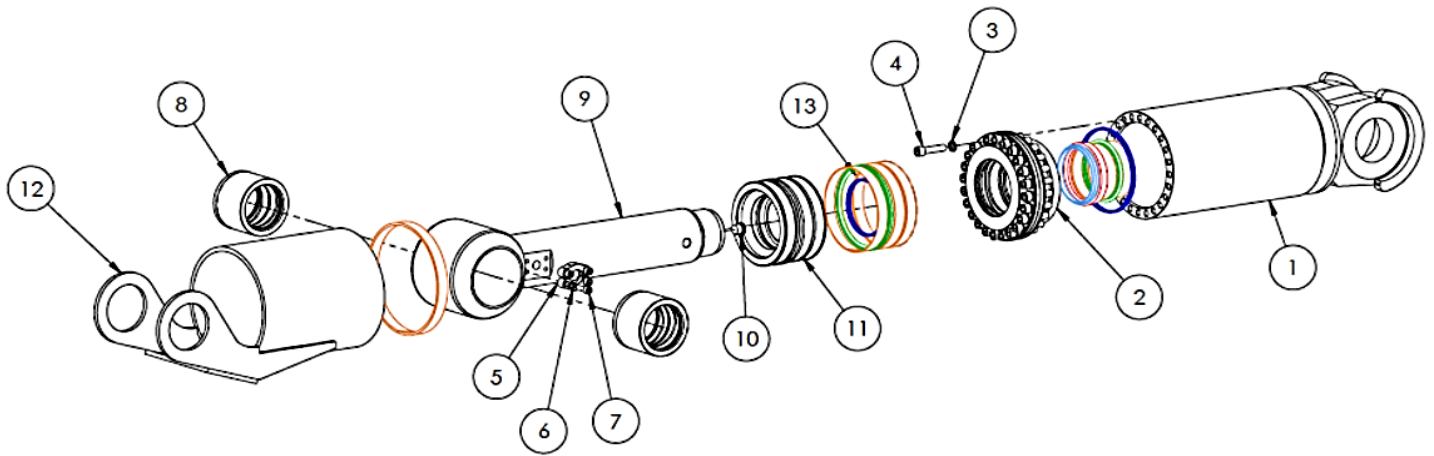
POS.	Q,TY	PART No.	DESCRIPTION
21	1	24002800	BODY
22	38	05001100	NORD-LOCK M14
23	2	16004700	PIN
24	6	25000200	GREASE FITTING
25	8	18000100	FLANGE
26	4	15000400	TAB
27	32	04001200	TCEI M14X30
28	1	16004900	PIN
29	1	18000200	FLANGE
30	6	04001500	TCEI M14X45
31	2	16004800	PIN
32	2	02004400	DOOR
33	8	04019500	TEF M14X30
34	16	04002600	TCEI M20X120
35	16	07000200	LOCKNUT M20
36	8	04007100	TCEI M20X90
37	1	12000101	JOINT 1"
38	2	19002700	CYLINDER

MC18 JOINT EXPLODED VIEW



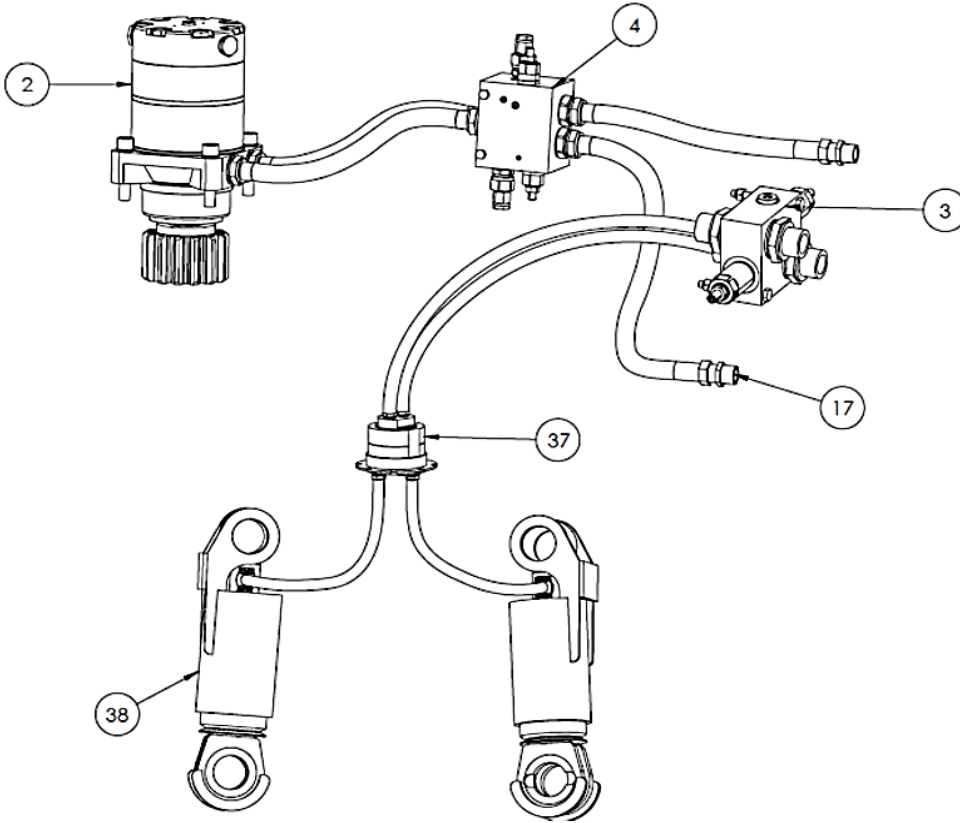
POS.	Q,TY	PART No.	DESCRIPTION
1	1	12000302	STATOR
2	1	12000400	ROTOR
3	1	02010900	FLANGE JOINT
4	4	04008200	TCEI M10X35
5	6	05001100	NORD-LOCK M14
6	6	04001600	TCEI M14X135
7	2	03001200	SEMIFANGIA SAE 6000 1"
8	8	05001000	NORD-LOCK M12
9	8	04007800	TCEI M12X45
10	1	11000100	BEARING
11	1	11000200	BEARING
12	4	05000200	FACE SEAL 3-4"
13	4	03001100	SEMIFLANGIA SAE 6000 3/4"
14	16	05000900	NORD-LOCK M10
15	16	04001300	TCEI M10X30
16	2	05000400	FACE SEAL 1"
17	1	14000700	SEAL KIT

MC18 CYLINDER EXPLODED VIEW

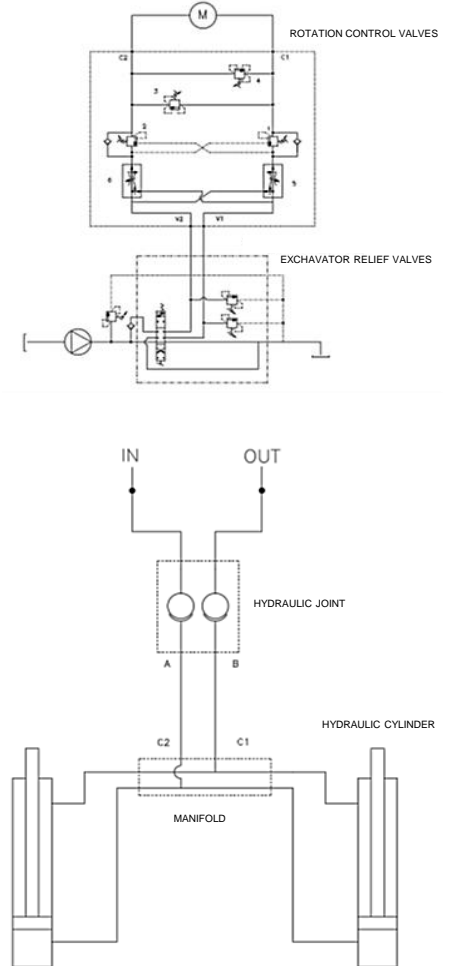


POS.	Q,TY	PART No.	DESCRIPTION
1	1	37002401	CYLINDER LINER
2	1	39000900	CYLINDER HEAD
3	24	05001100	NORD-LOCK M14
4	24	04013900	TCEI M14X60
5	2	03001100	SEMIFLANGIA SAE 6000 3/4"
6	8	05000900	NORD-LOCK M10
7	8	04001300	TCEI M10X30
8	2	17000800	BUSH
9	1	36001800	CYLINDER ROD
10	1	06001500	PLUG 1/2
11	1	38001000	CYLINDER ROD
12	1	43000400	CARTER
13	1	14002900	SEALS CYLINDER KIT
14	1	14000801	SEALS CYLINDER KIT

MC18 HYDRAULIC EXPLODED VIEW



HYDRAULIC ROTATION SYSTEM



POS.	Q,TY	PART No.	DESCRIPTION
3	1	29002800	OVERCENTER VALVE
2	1	01001101	COMPLETE ENGINE
17	2	03002500	BULKHEAD FITTING 1/2"
4	1	29002900	CONTROL ROTATION VALVE
37	1	12000101	JOINT 1/2"
38	2	19002700	CYLINDER