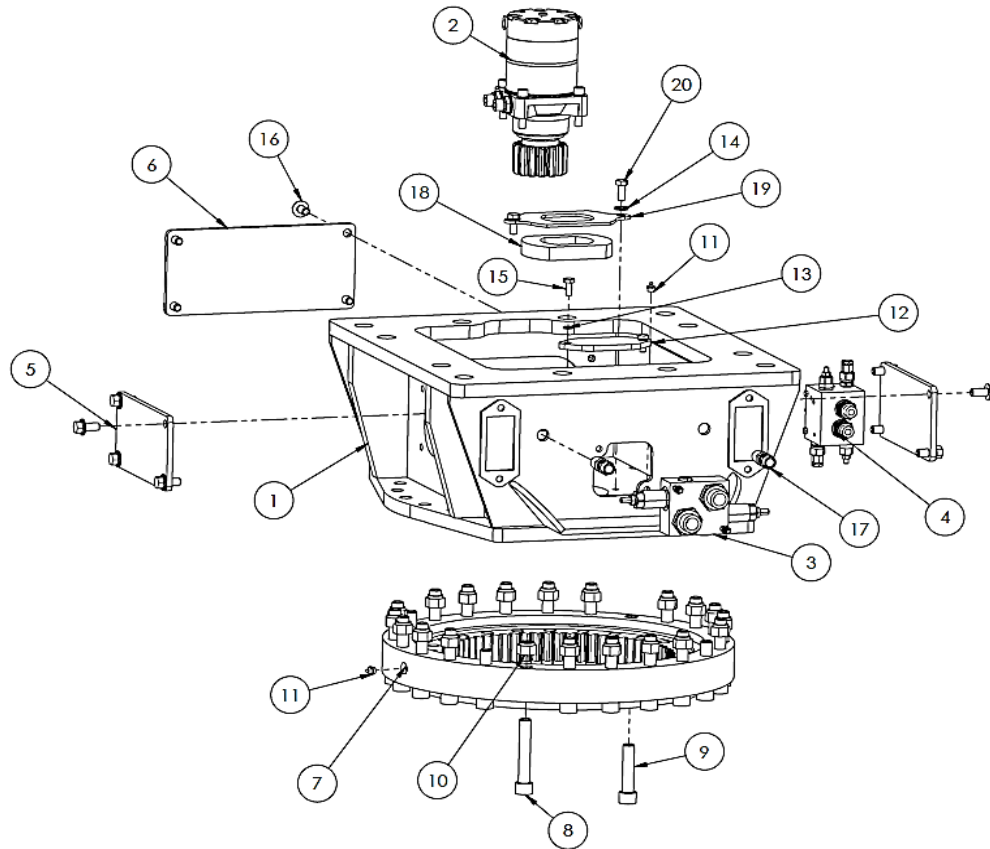
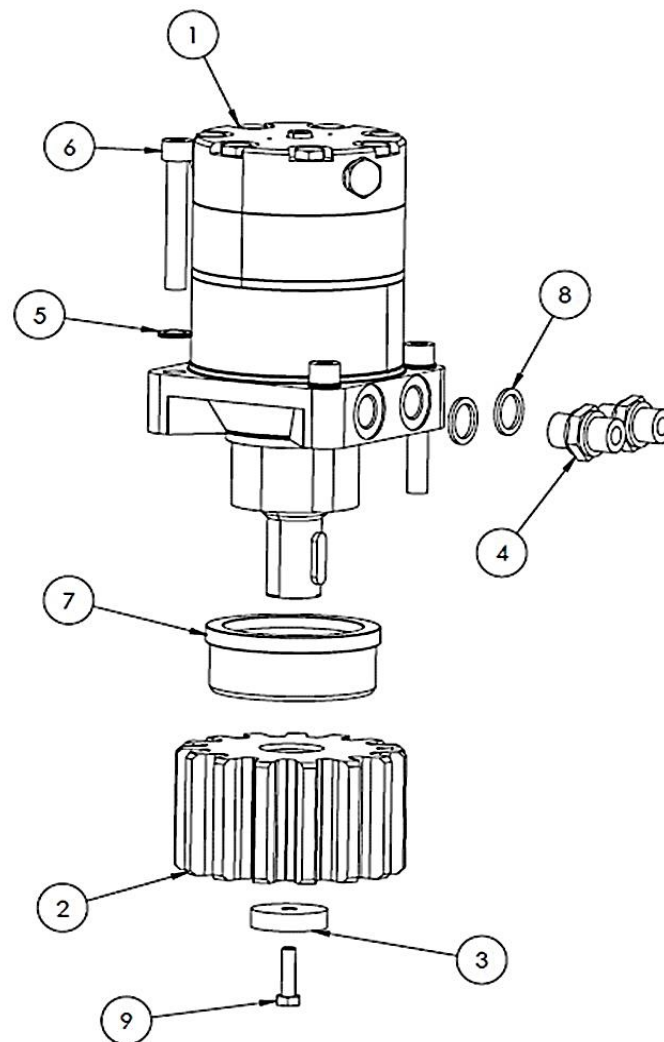


# MC24 ROTATION EXPLODED VIEW



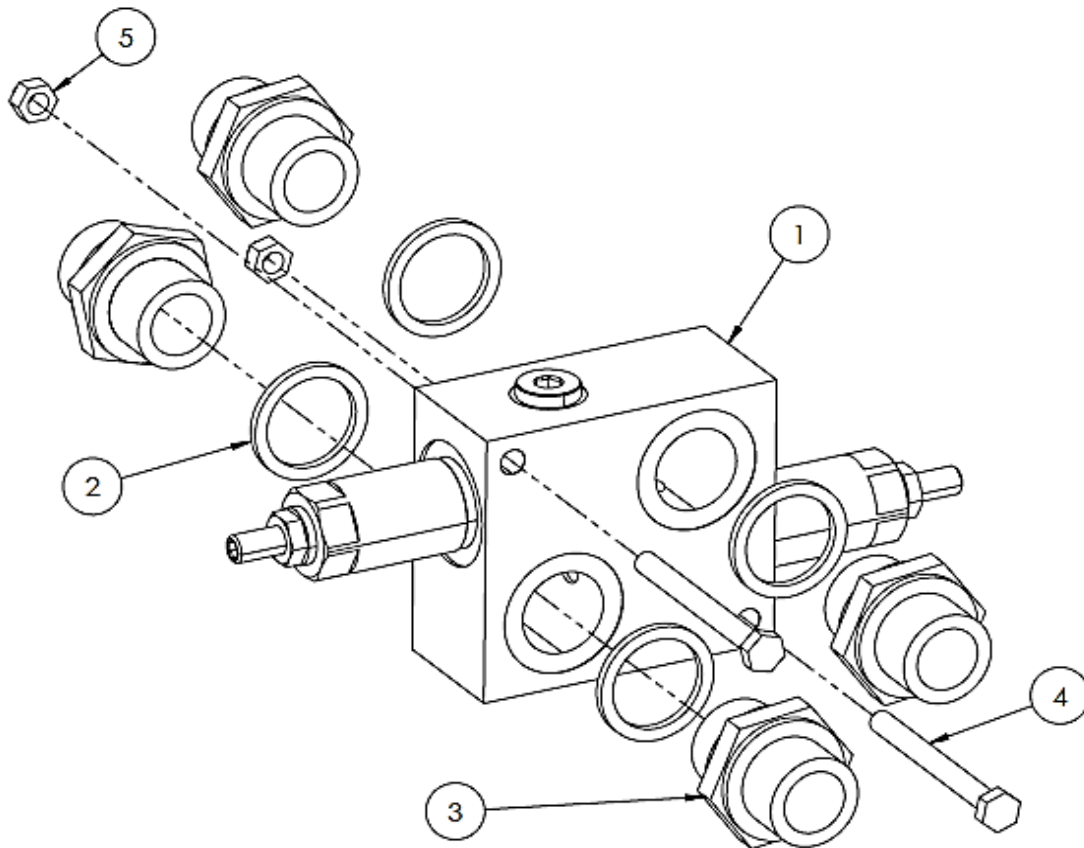
POS.	Q,TY	PART No.	DESCRIPTION
1	1	13001000	ROTATION BOX
2	1	01001101	ENGINE
3	1	29002800	OVERCENTER VALVE
4	1	29002900	CONTROL ROTATION VALVE
5	2	02017000	INSPECTION DOOR
6	1	02017100	INSPECTION DOOR
7	1	27000200	THRUST BEARING
8	20	04002600	TCEI M20X120
9	4	04007100	TCEI M20X90
10	20	07000200	LOCKNUT M20
11	2	25000200	GREASE FITTING
12	1	02004300	INSPECTION DOOR
13	2	05000900	NORD-LOCK M10
14	2	05001000	NORD-LOCK M12
15	2	04010500	TE M10X25
16	12	04019500	TEF M14X30
17	2	03002500	BULKHEAD FITTING 1/2"
18	1	02019500	JOINT ADAPTER
19	1	02019600	ADAPTER PLATE
20	2	04023500	TE M12X30

# MC24 MOTOR EXPLODED VIEW



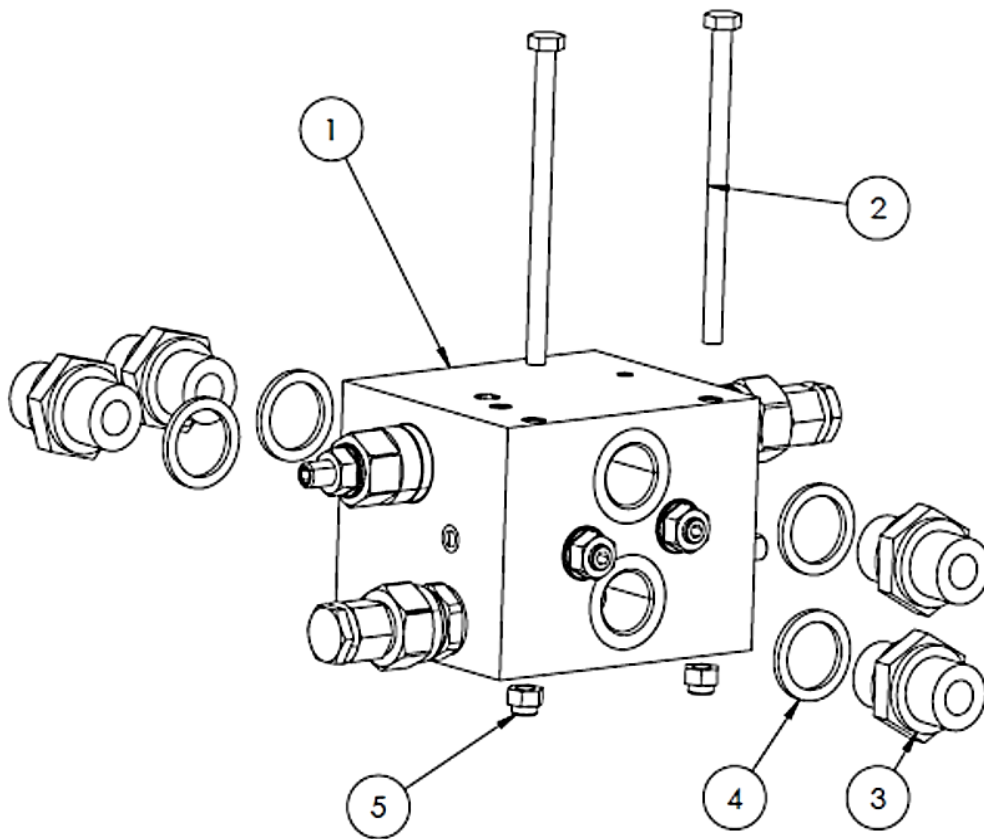
POS.	Q,TY	PART No.	DESCRIPTION
1	1	01001500	ENGINE 3.0
2	1	01001600	SPROCKET
3	1	05005600	SPROCKET WASHER
4	2	03000500	NIPLES 1/2"-1/2"
5	4	05001000	NORD-LOCK M12
6	4	04019300	TCEI M12X80
7	1	17006900	MOTOR BUSHING
8	2	05000600	BONDED SEAL 1/2"
9	1	04022100	TE M8X30
-	1	14003500	SEALS KIT

# MC24 VALVE EXPLODED VIEW



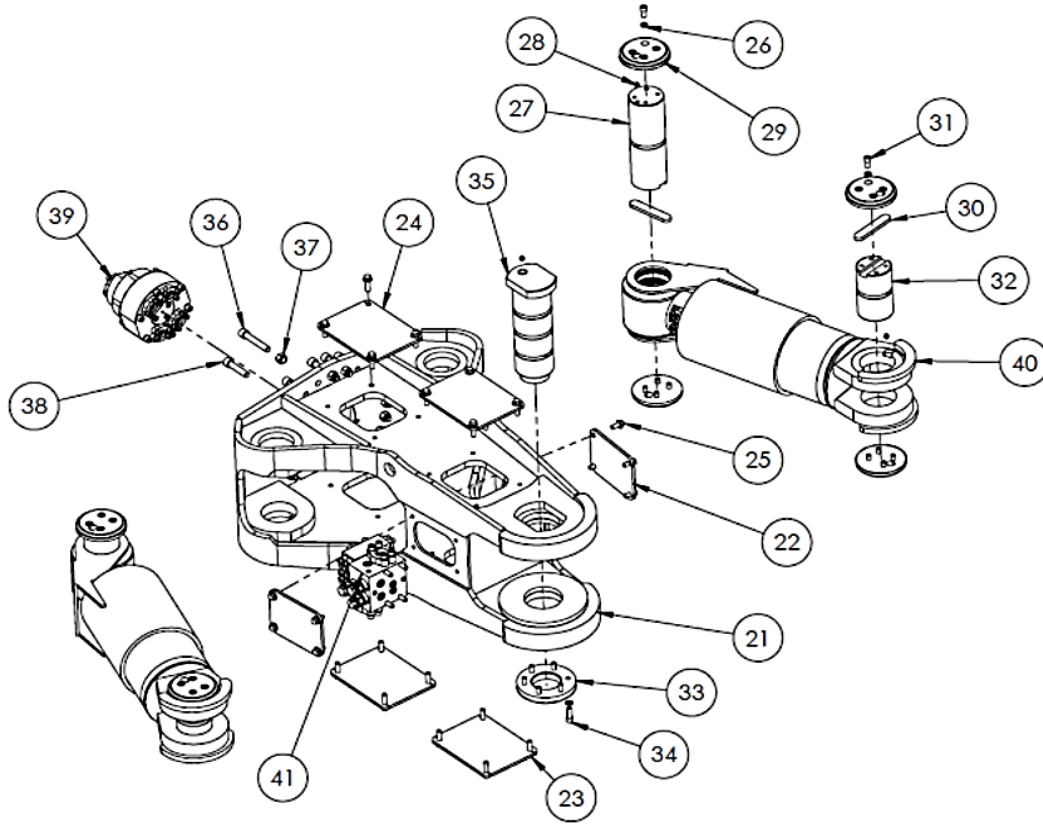
POS.	Q,TY	PART No.	DESCRIPTION
1	1	29000100	PRESSURE RELEIF VALVE
2	4	05000800	BONDED SEAL 1"
3	4	03000700	NIPLES 1" - 1"
4	2	04002100	TE M8X80
5	2	07000400	LOCKNUT M8

# MC24 VALVE EXPLODED VIEW



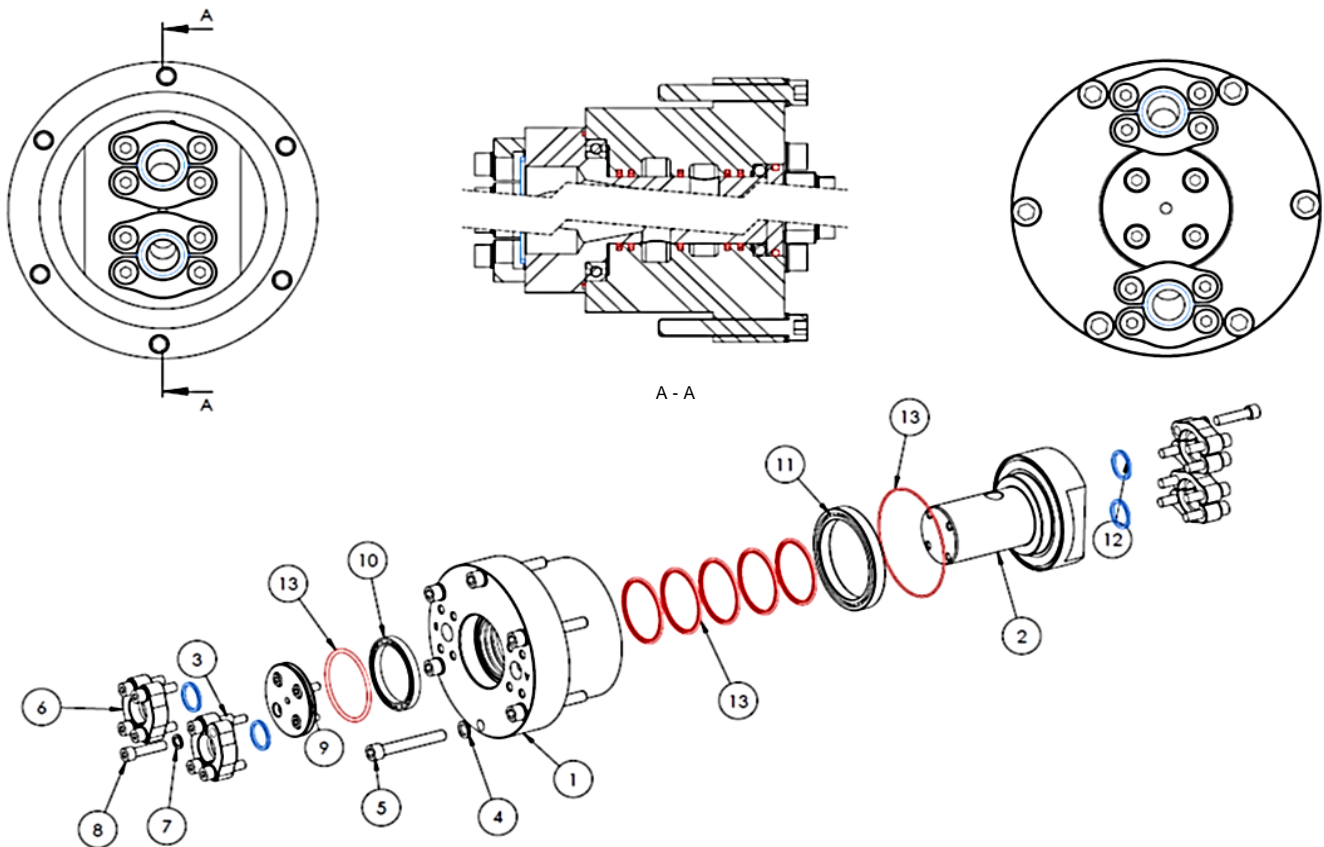
POS.	Q,TY	PART No.	DESCRIPTION
1	1	29001701	ROTATION CONTROL VALVE
2	2	04020300	TE M6X100
3	4	03000500	NIPLES 1/2"-1/2"
4	4	05000600	BONDED SEAL 1/2"
5	2	07002100	LOCKNUT M6

# MC24 BODY EXPLODED VIEW



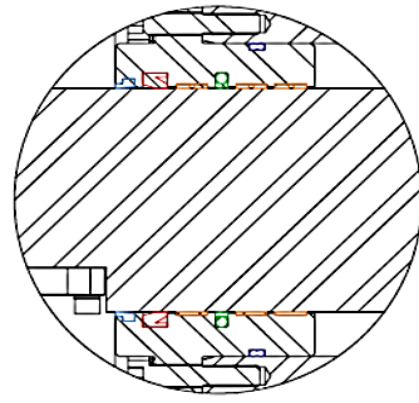
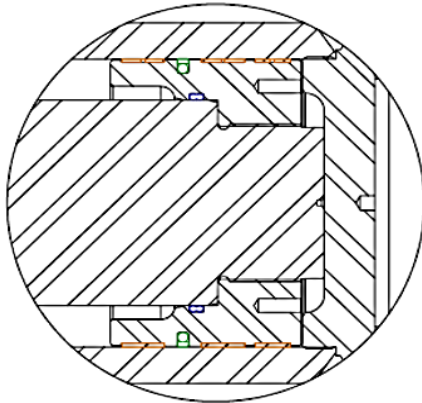
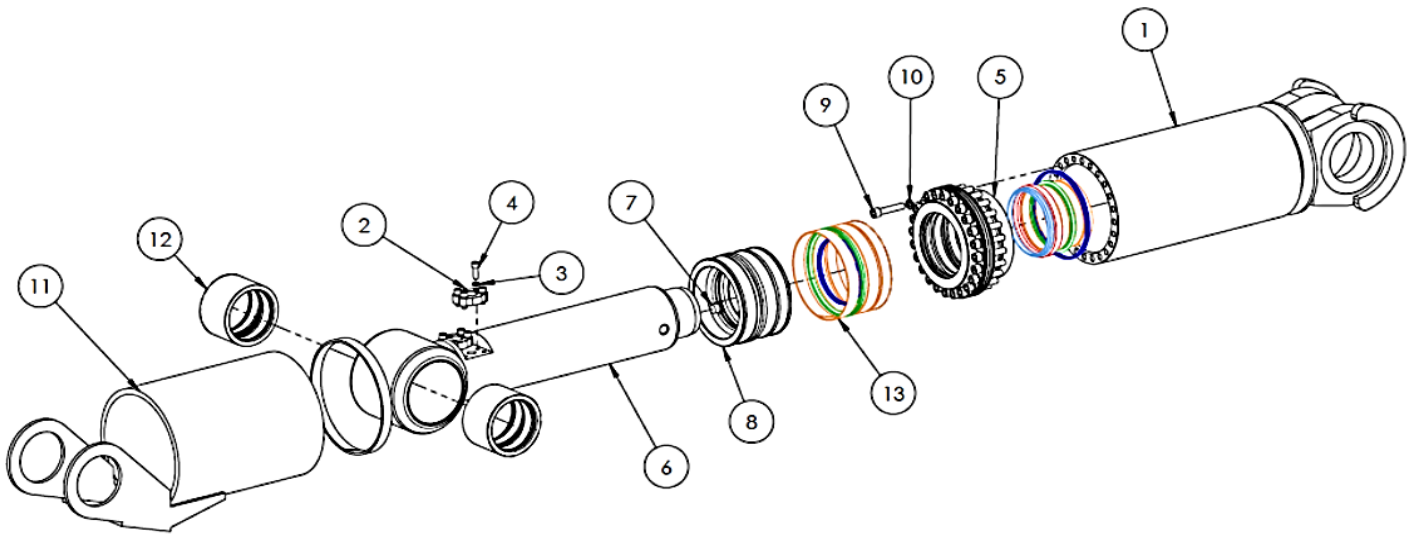
POS.	Q,TY	PART No.	DESCRIPTION
21	1	24002900	BODY
22	2	02004400	DOOR
23	16	04022000	TEF M14X50
24	4	02003500	DOOR
25	8	04019500	TEF M14X30
26	38	05001100	NORD-LOCK M14
27	2	16004000	PIN
28	3	25000200	GREASE FITTING
29	8	18000100	FLANGE
30	4	15000500	TAB
31	32	04001200	TCEI M14X30
32	2	16003900	PIN
33	1	18000200	FLANGE
34	6	04001500	TCEI M14X45
35	1	16004100	PIN
36	16	04002600	TCEI M20X120
37	16	07000200	LOCKNUT M20
38	8	04007100	TCEI M20X90
39	1	12000100	JOINT 1"
40	2	19002500	CYLINDER
41	1	29003100	REGEN VALVE 3/4"

# MC24 JOINT EXPLODED VIEW



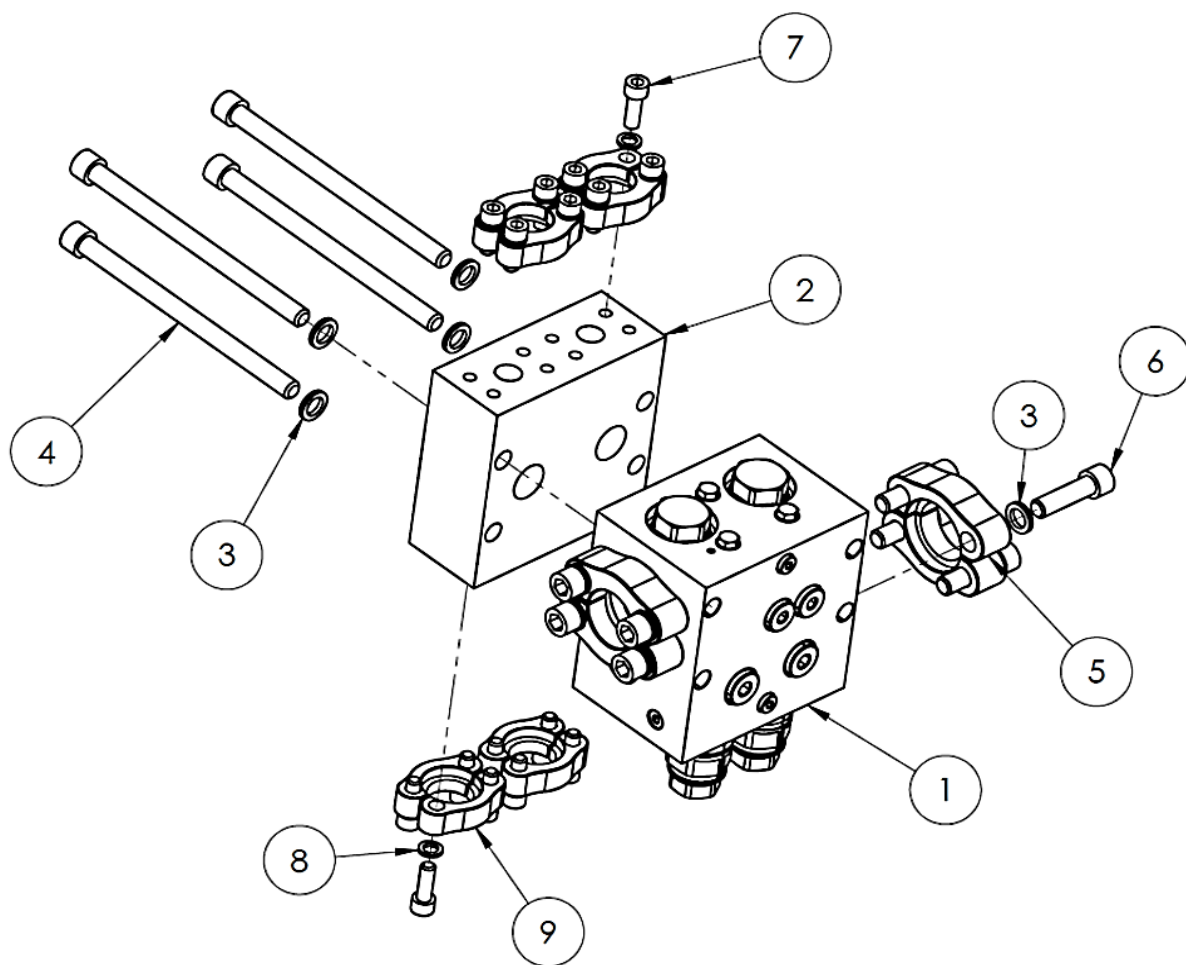
POS.	Q,TY	PART No.	DESCRIPTION
1	1	12000300	STATOR
2	1	12000400	ROTOR
3	4	04002300	TCEI M10X25
4	6	05001100	NORD-LOCK M14
5	6	04008700	TCEI M14X100
6	4	03001200	SEMIFANGIA SAE 6000 1"
7	16	05001000	NORD-LOCK M12
8	16	04003300	TCEI M12X50
9	1	02010900	FLANGE JOINT
10	1	11000100	BEARING
11	1	11000200	BEARING
12	4	05000400	FACE SEAL 1"
13	1	14000700	SEAL KIT

# MC24 CYLINDER EXPLODED VIEW



POS.	Q,TY	PART No.	DESCRIPTION
1	1	37000901	CYLINDER LINER
2	2	03001100	SEMIFLANGIA SAE 6000 3/4"
3	8	05000900	NORD-LOCK M10
4	8	04001300	TCEI M10X30
5	1	39001000	CYLINDER HEAD
6	1	36003400	CYLINDER ROD
7	1	06001500	PLUG 1/2
8	1	38001100	CYLINDER PISTON
9	24	04013901	TCEI M14X70
10	24	05001100	NORD-LOCK M14
11	1	19003400	CARTER
12	2	17000201	BUSH
13	1	14002800	SEALS CYLINDER KIT

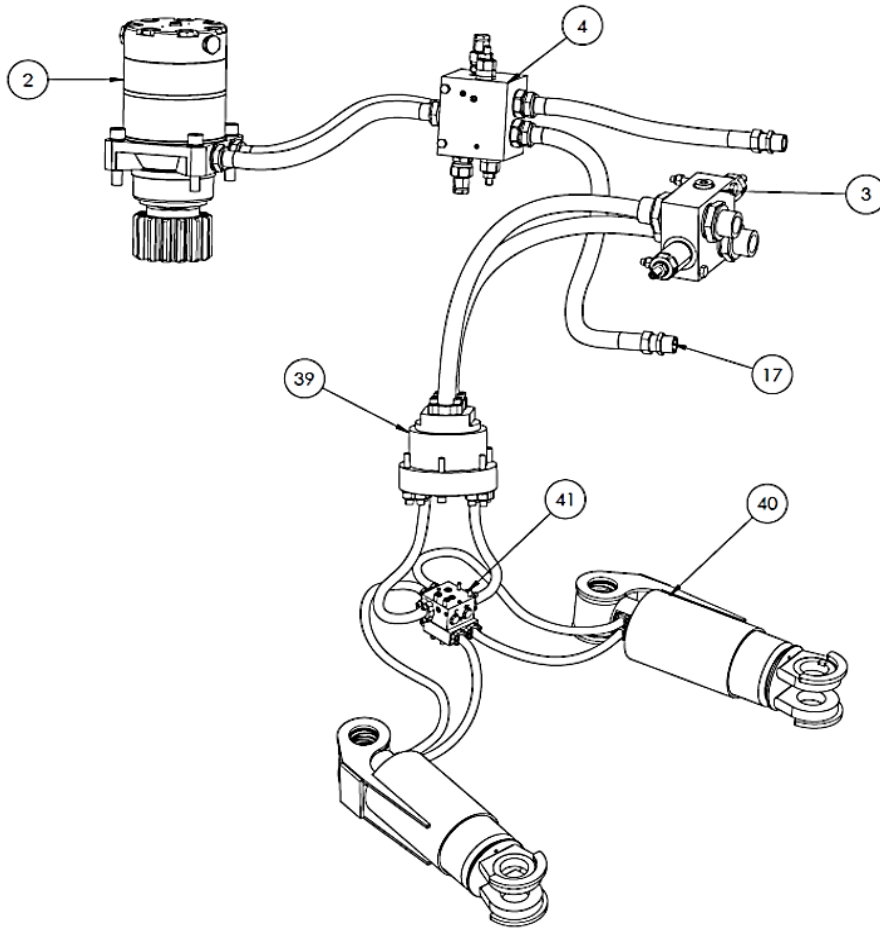
# MC24 VALVE EXPLODED VIEW



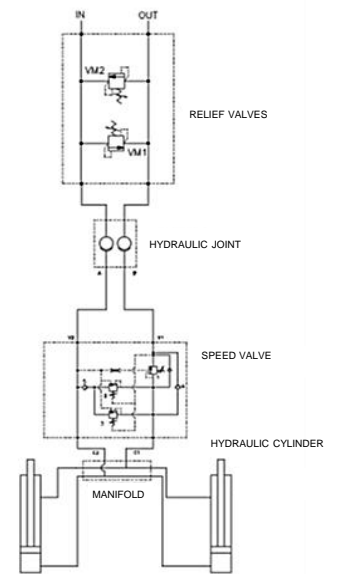
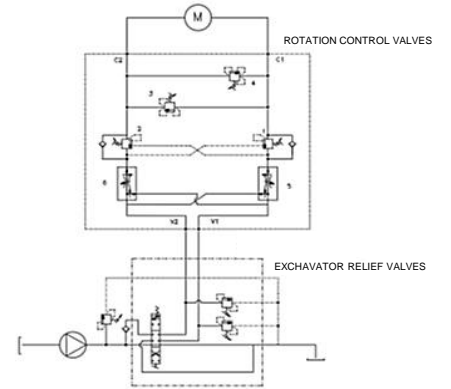
POS.	Q,TY	PART No.	DESCRIPTION
1	1	29000400	SPEED VALVE
2	1	20000301	REGEN MANIFOLD 3/4"
3	12	05001100	NORD-LOCK M14
4	4	04021400	TCEI M14X210
5	2	03001300	SEMIFLANGIA SAE 6000 1_1/4"
6	8	04022200	TCEI M14X50
7	16	04001300	TCEI M10X30
8	16	05000900	NORD-LOCK M10
9	4	03001100	SEMIFLANGIA SAE 6000 3/4"



# MC24 HYDRAULIC EXPLODED VIEW



HYDRAULIC ROTATION SYSTEM



POS.	Q,TY	PART No.	DESCRIPTION
3	1	29002800	OVERCENTER VALVE
2	1	01001101	COMPLETE ENGINE
17	2	03002500	BULKHEAD FITTING 1/2"
4	1	29002900	CONTROL ROTATION VALVE
39	1	12000100	JOINT 1"
40	2	19002500	CYLINDER
41	1	29003100	REGEN VALVE 3/4"