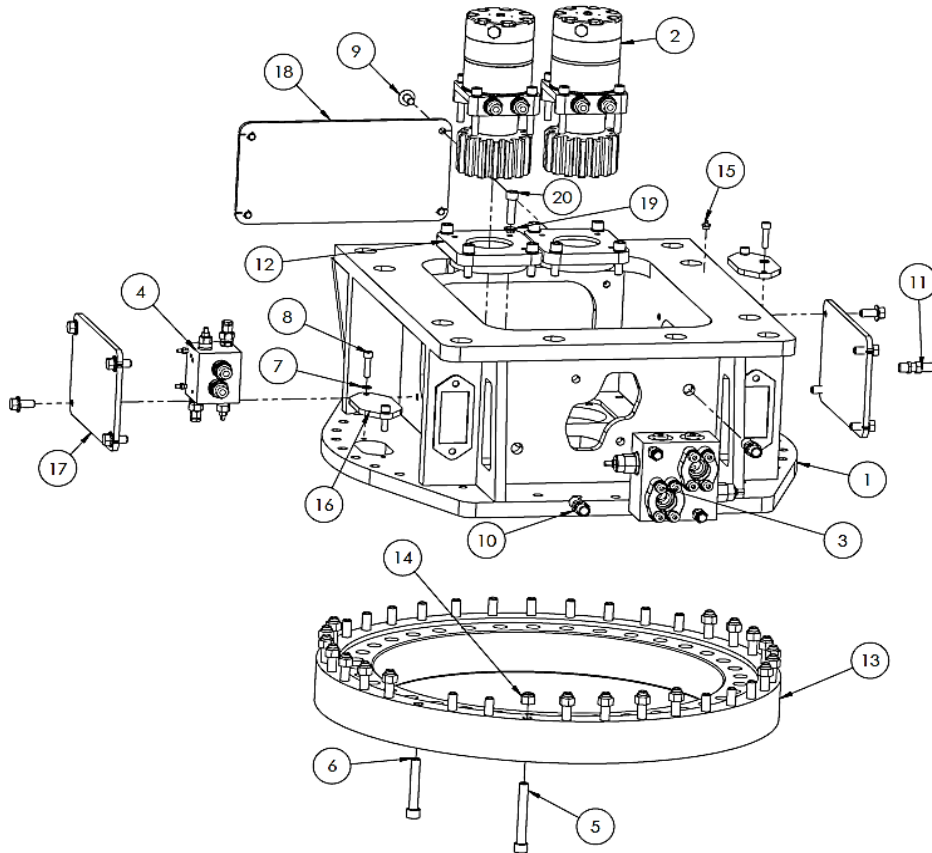
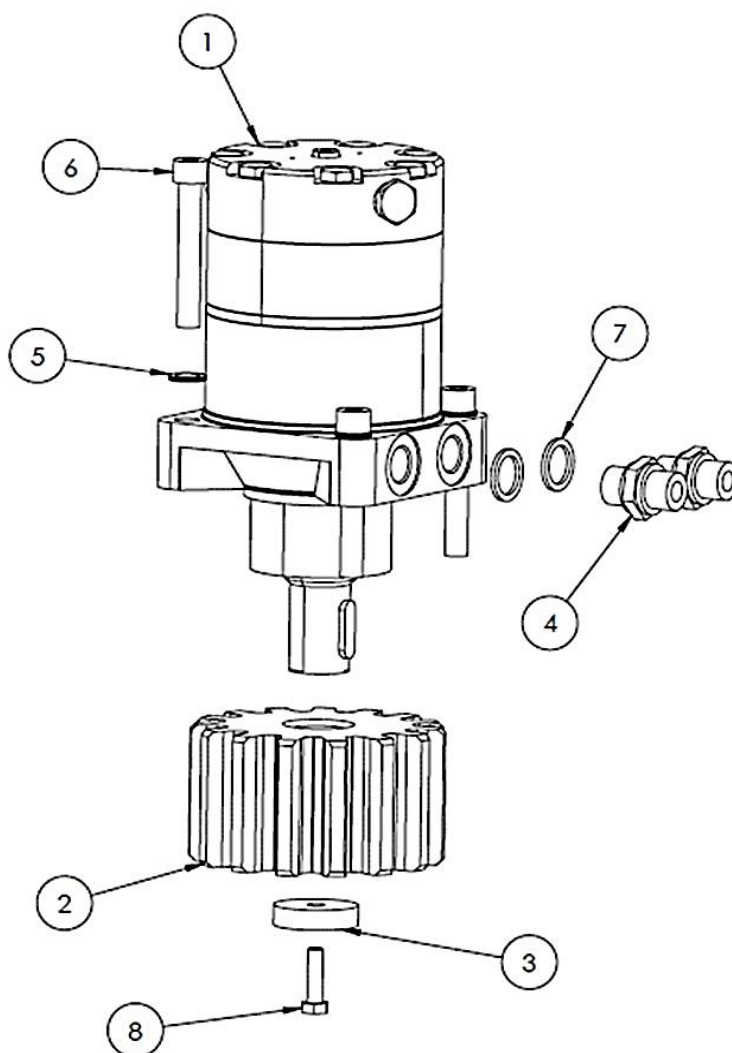


MC30 ROTATION EXPLODED VIEW



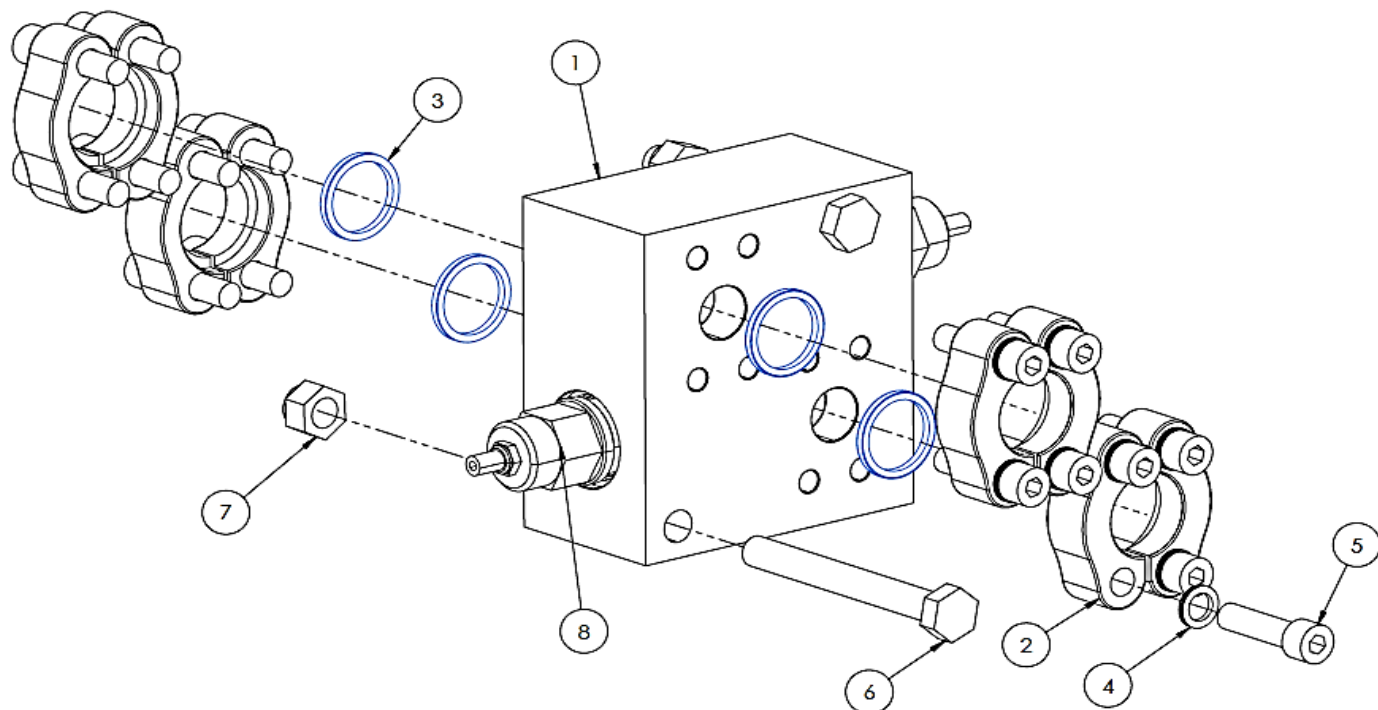
POS.	Q,TY	PART No.	DESCRIPTION
1	1	13000300	ROTATION BOX
2	2	01001111	ENGINE
3	1	29003000	OVERCENTER VALVE 1"
4	1	29002900	CONTROL ROTATION VALVE
5	19	04002900	TCEI M16X120
6	17	04002000	TCEI M16X100
7	4	05000900	NORD-LOCK M10
8	4	04019700	TCEI M10X40
9	12	04019500	TEF M14X30
10	2	03002500	BULKHEAD FITTING 1/2"
11	1	03009500	BULKHEAD 3/8"
12	2	02017900	ENGINE FLANGE
13	1	27000300	THRUST BEARING
14	19	07000800	LOCKNUT M16
15	1	25000200	GREASE FITTING
16	2	02004300	INSPECTION DOOR
17	2	02017600	INSPECTION DOOR
18	1	02017700	INSPECTION DOOR
19	8	05001100	NORD-LOCK M14
20	8	04022200	TCEI M14X50

MC30 MOTOR EXPLODED VIEW



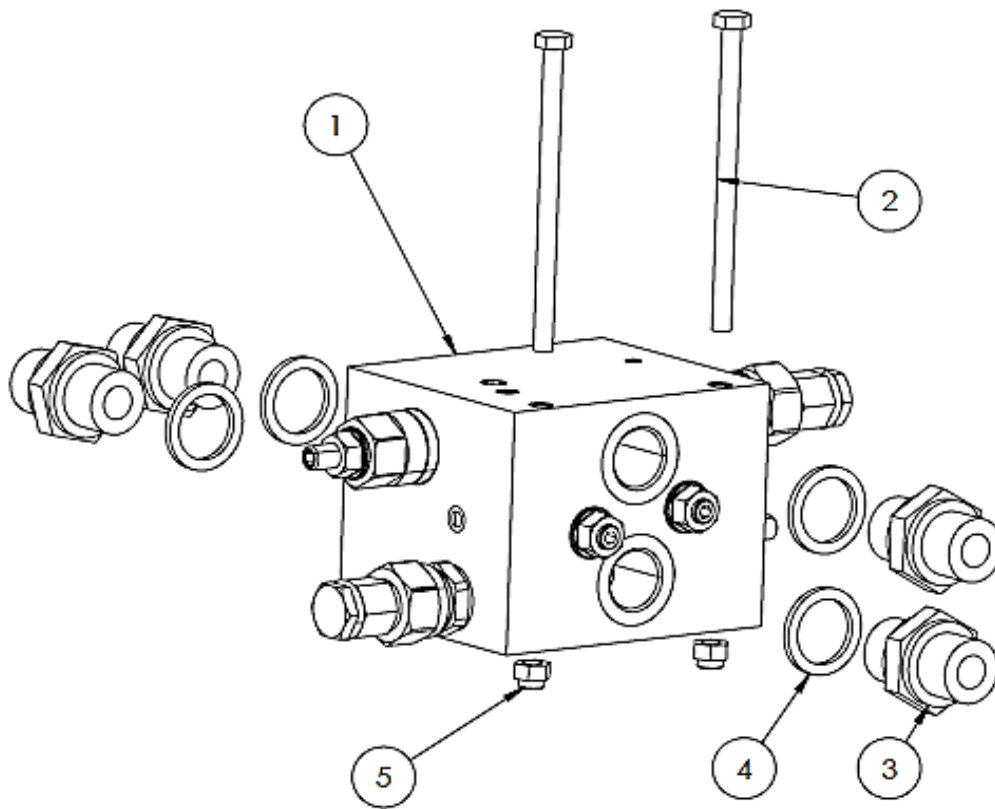
POS.	Q,TY	PART No.	DESCRIPTION
1	1	01001500	ENGINE 3.0
2	1	01001700	SPROCKET
3	1	05005600	SPROCKET WASHER
4	2	03000500	NIPLES 1/2"-1/2"
5	4	05001000	NORD-LOCK M12
6	4	04019300	TCEI M12X80
7	2	05000600	BONDED SEAL 1/2"
8	1	04022100	TE M8X30
-	1	14003500	SEALS KIT

MC30 VALVE EXPLODED VIEW



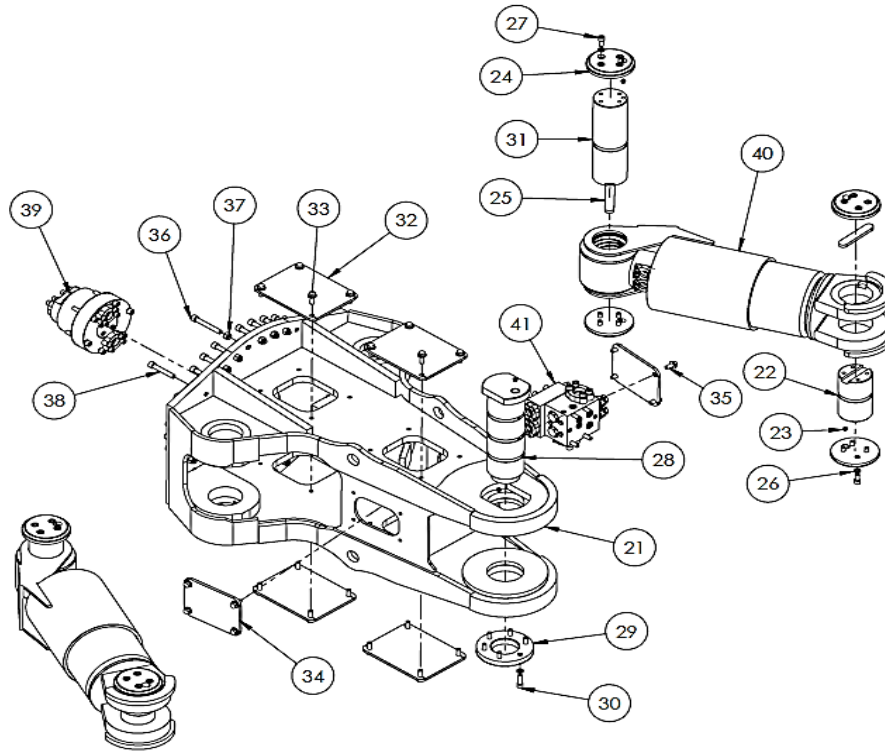
POS.	Q,TY	PART No.	DESCRIPTION
1	1	29000200	PRESSURE RELEIF VALVE
2	4	03001200	SEMIFANGIA SAE 6000 1"
3	4	05000400	FACE SEAL 1"
4	16	05001000	NORD-LOCK M12
5	16	04007800	TCEI M12X45
6	2	04022300	TE M14X120
7	2	07000700	LOCKNUT M14
8	2	10000100	CARTRIDGE

MC30 VALVE EXPLODED VIEW



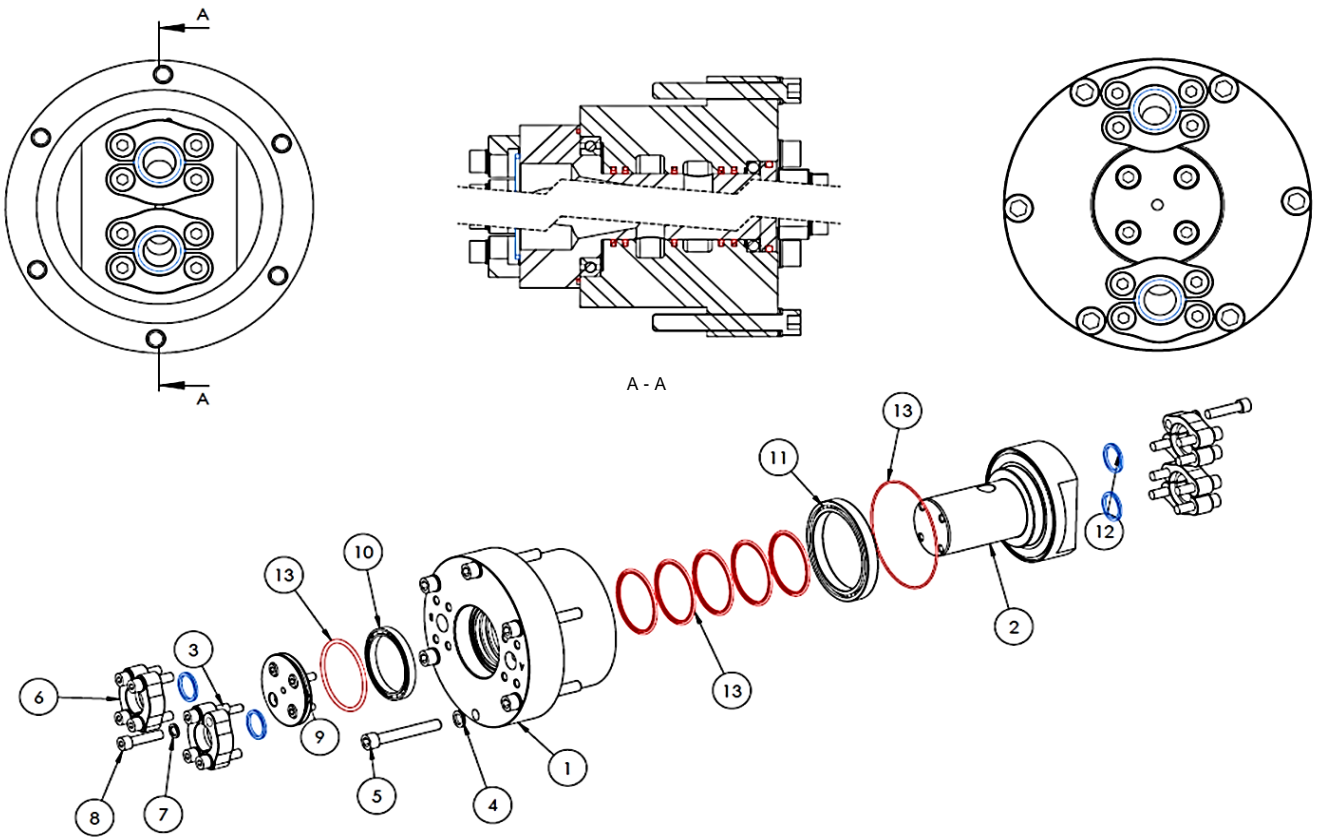
POS.	Q,TY	PART No.	DESCRIPTION
1	1	29001701	ROTATION CONTROL VALVE
2	2	04020300	TE M6X100
3	4	03000500	NIPLES 1/2"-1/2"
4	4	05000600	BONDED SEAL 1/2"
5	2	07002100	LOCKNUT M6

MC30 BODY EXPLODED VIEW



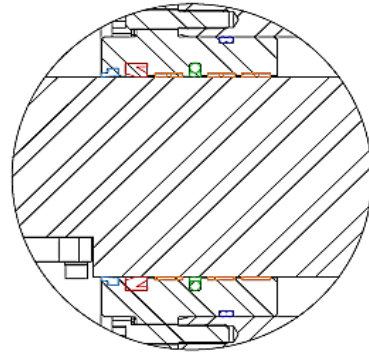
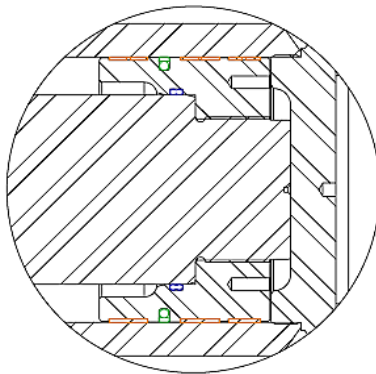
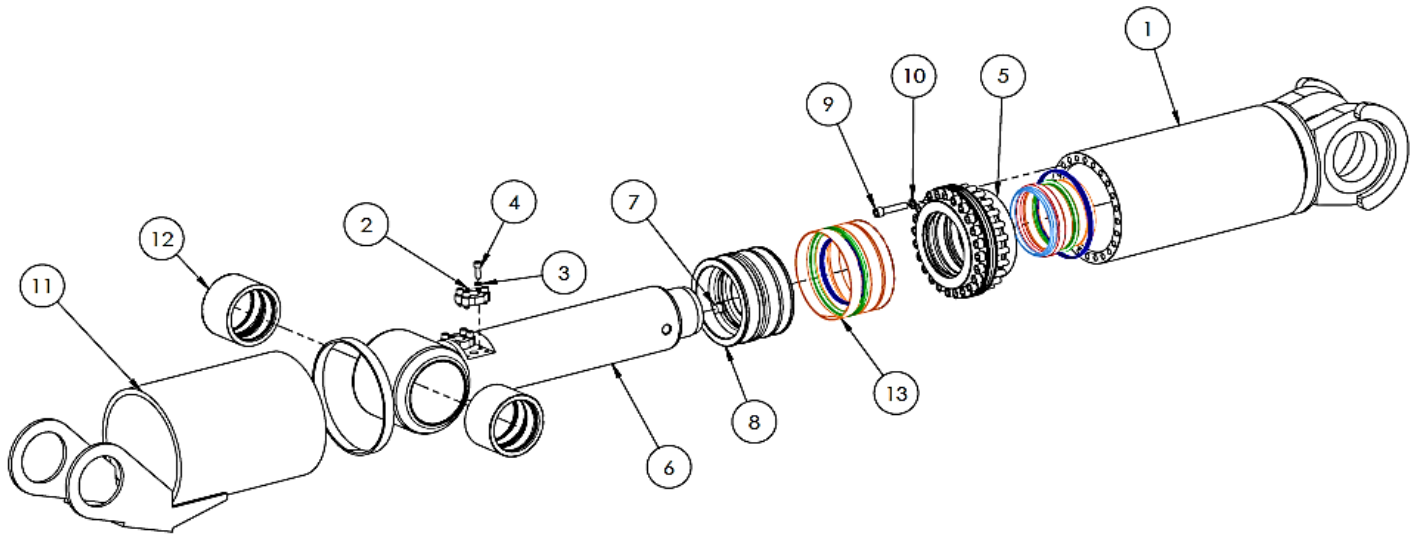
POS.	Q,TY	PART No.	DESCRIPTION
21	1	24003000	BODY
22	2	16003900	PIN
23	6	25000200	GREASE FITTING
24	8	18000100	FLANGE
25	4	15000500	TAB
26	38	05001100	NORD-LOCK M14
27	32	04001200	TCEI M14X30
28	1	16004300	PIN
29	1	18000200	FLANGE
30	6	04001500	TCEI M14X45
31	2	16002600	PIN
32	4	02003500	DOOR
33	16	04022000	TEF M14X40
34	2	02004400	DOOR
35	8	04019500	TEF M14X30
36	17	04002900	TCEI M16X120
37	17	07000800	LOCKNUT M16
38	19	04002000	TCEI M16X100
39	1	12000100	JOINT 1"
40	2	19005100	CYLINDER
41	1	29003200	REGEN VALVE 3/4"

MC30 JOINT EXPLODED VIEW



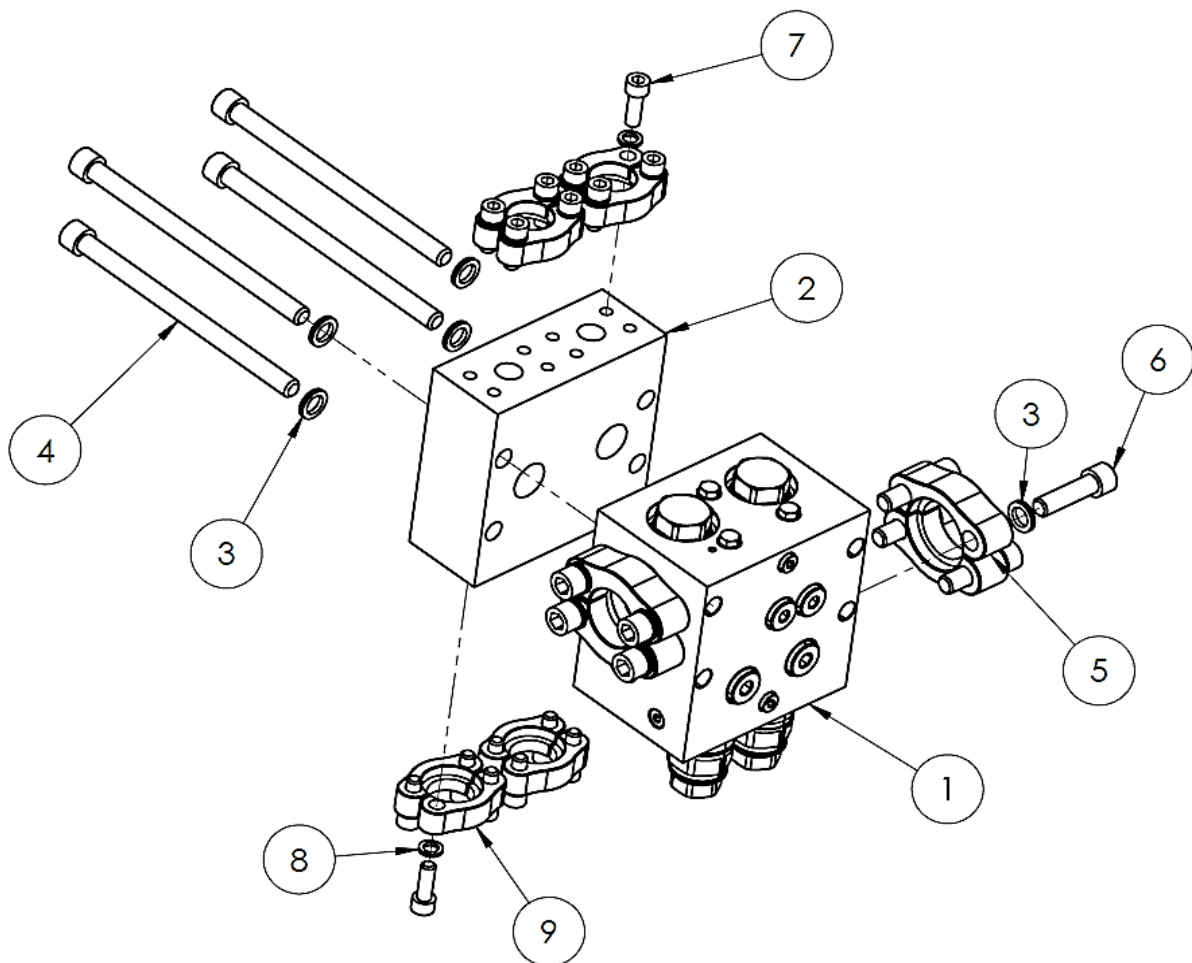
POS.	Q,TY	PART No.	DESCRIPTION
1	1	12000300	STATOR
2	1	12000400	ROTOR
3	4	04002300	TCEI M10X25
4	6	05001100	NORD-LOCK M14
5	6	04008700	TCEI M14X100
6	4	03001200	SEMIFANGIA SAE 6000 1"
7	16	05001000	NORD-LOCK M12
8	16	04003300	TCEI M12X50
9	1	02010900	FLANGE JOINT
10	1	11000100	BEARING
11	1	11000200	BEARING
12	4	05000400	FACE SEAL 1"
13	1	14000700	SEAL KIT

MC30 CYLINDER EXPLODED VIEW



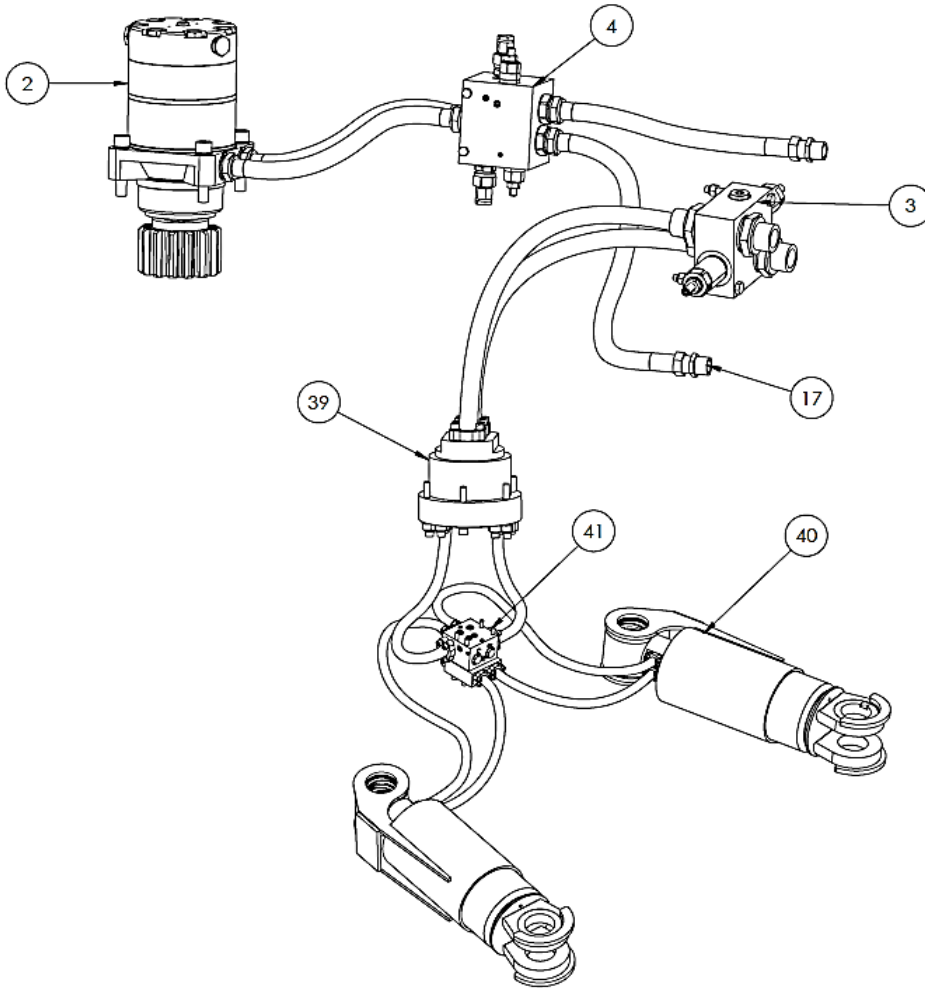
POS.	Q,TY	PART No.	DESCRIPTION
1	1	37000901	CYLINDER LINER
2	2	03001100	SEMIFLANGIA SAE 6000 3/4"
3	8	05000900	NORD-LOCK M10
4	8	04001300	TCEI M10X30
5	1	39001000	CYLINDER HEAD
6	1	36003400	CYLINDER ROD
7	1	06001500	PLUG 1/2
8	1	38001100	CYLINDER PISTON
9	24	04013901	TCEI M14X70
10	24	05001100	NORD-LOCK M14
11	1	19003400	CARTER
12	2	17000201	BUSH
13	1	14002800	SEALS CYLINDER KIT

MC30 VALVE EXPLODED VIEW

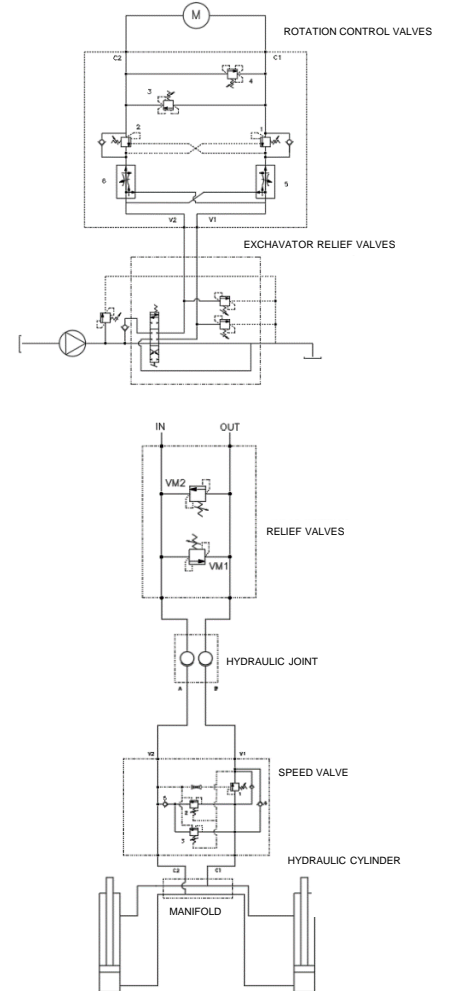


POS.	Q,TY	PART No.	DESCRIPTION
1	1	29000400	SPEED VALVE
2	1	20000301	REGEN MANIFOLD 3/4"
3	12	05001100	NORD-LOCK M14
4	4	04021400	TCEI M14X210
5	2	03001300	SEMIFLANGIA SAE 6000 1_1/4"
6	8	04022200	TCEI M14X50
7	16	04001300	TCEI M10X30
8	16	05000900	NORD-LOCK M10
9	4	03001100	SEMIFLANGIA SAE 6000 3/4"

MC30 HYDRAULIC EXPLODED VIEW



HYDRAULIC ROTATION SYSTEM



POS.	Q,TY	PART No.	DESCRIPTION
3	1	29003000	OVERCENTER VALVE
2	2	01001101	COMPLETE ENGINE
10	2	03002500	BULKHEAD FITTING 1/2"
11	1	03009500	BULKHEAD 3/8"
4	1	29002900	CONTROL ROTATION VALVE
41	1	29003200	REGEN VALVE 3/4"
39	1	12000100	JOINT 1"
40	2	19002500	CYLINDER