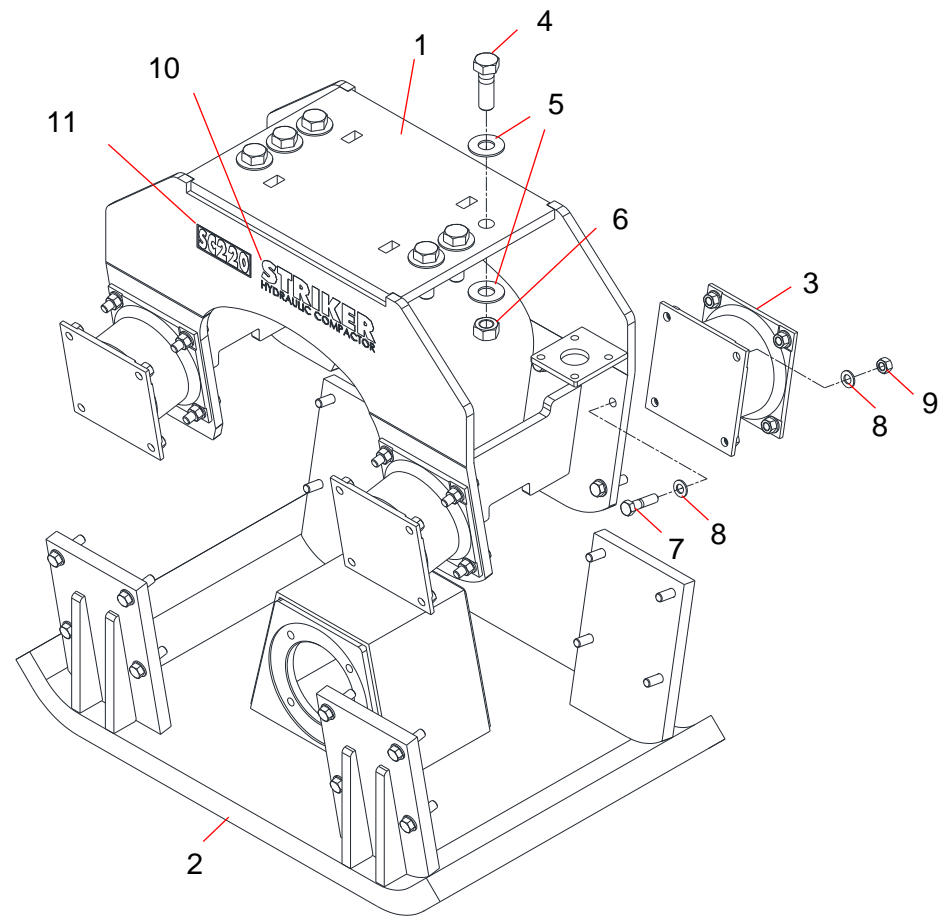


SC-220



Parts

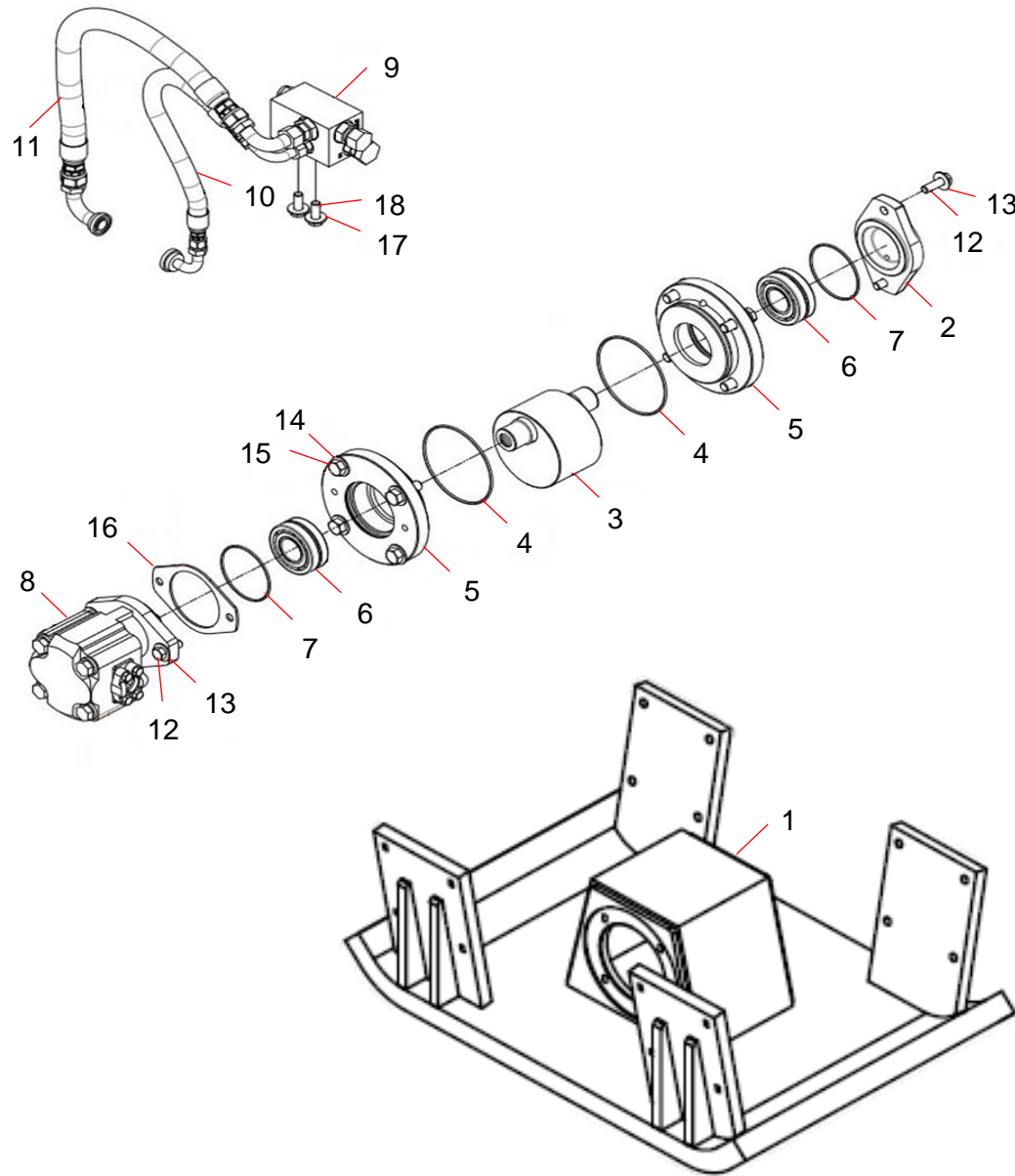
Sym	Part Code	Description	Q'ty	Int	Kit
1	-	SC-220 Tower	1		
2	-	SC-220 Base	1		
3	-	SC-220 Rubber	4		
4	-	1 1/4-7 UNC x 4.00 Bolt	6		
5	-	1 1/4-7 Washer	12		
6	-	1 1/4-7 Nut	6		
7	-	3/4-13 UNC x 3.00 Bolt	32		
8	-	3/4 Washer	64		
9	-	3/4 Nut	32		
10	-	STRIKER Sticker	2		
11	-	SC-220 Sticker	2		

For Decal and/or Tool Box information, please contact your Dealer

INT(interchangeability)

- Interchangeable old ↔ new
- △ Interchangeable old → new
- ▲ Interchangeable old ← new
- × Not interchangeable

SC-220



Parts

Sym	Part Code	Description	Q'ty	Int	Kit
1		SC-220 Base	1		
2	SC07-11	Bearing Plate	1		
3	SC06-05	Rotating Weight	1		
4	*	Bearing Housing O-Ring	2		S
5	SC07-10	Bearing Housing	2		
6	SC07-12	Bearing Spherical Roller	2		
7	*	Motor O'Ring	2		S
8	SC05-04	Permco Motor	1		
9	SC12-04AS	Flow Control Block CP	1		
10	SC12-04	Flow Control Block	1		
11	SC11-11	Pressure Hose	1		
12	SC11-12	Return Hose	1		
13	HHCS 3/4-10UNC x 2.000	Bearing Plate Screw	2		
14	Washer 1/2" LD	Bearing Plate Washer	2		
15	Washer 3/4"LD	Bearing Housing Washer	8		
16	HHCS 5/8-11unc X 2.500	Bearing Housing Screw	8		
17	N/A	Motor Mount Adapter	1		
18	Washer 5/8" LD	Flow control Block Washer			
19	(4EA) 5/8-11UNC X 1.750"	Flow control Block Screw			
N/A	SC09-13	Seat Kit	1		

Flow Control Block CP consists of (4) hose port adapters and control block

Seal Kit consists of the parts marked "S". (Individual seals NOT sold separately)

INT(interchangeability)

○ Interchangeable old ↔ new

△ Interchangeable old → new

▲ Interchangeable old ← new

x Not interchangeable