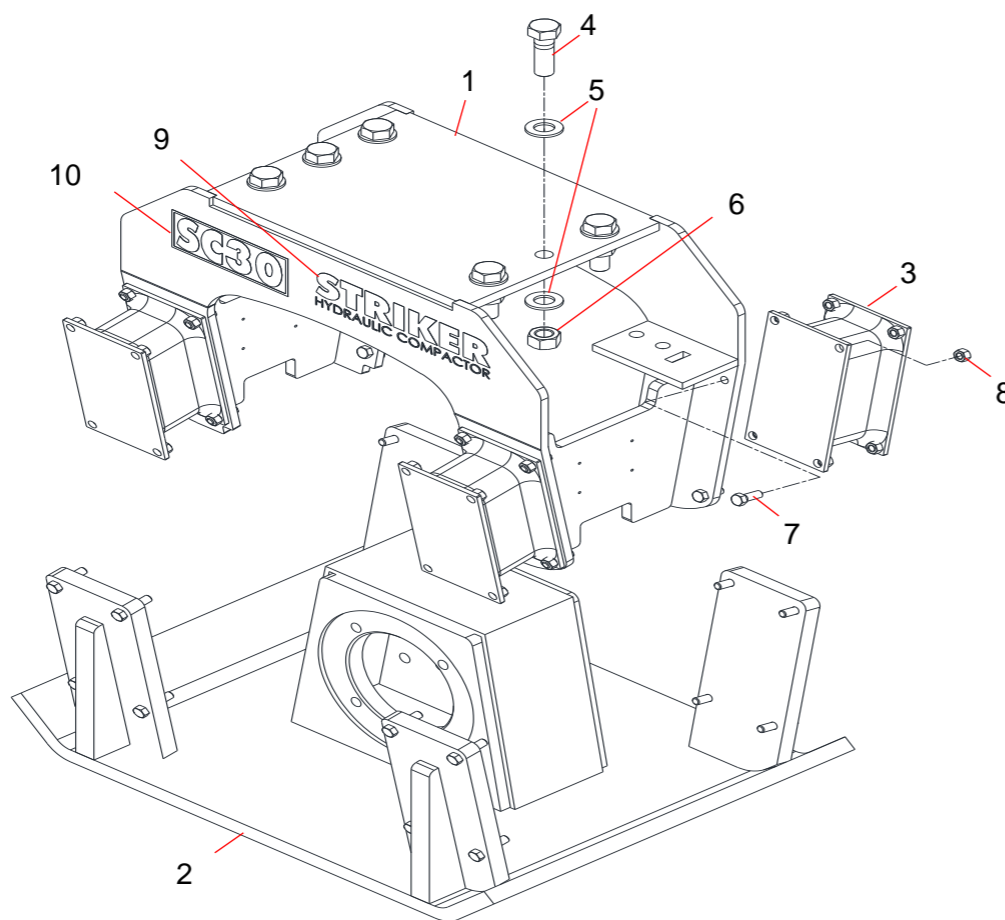


SC-30



Parts

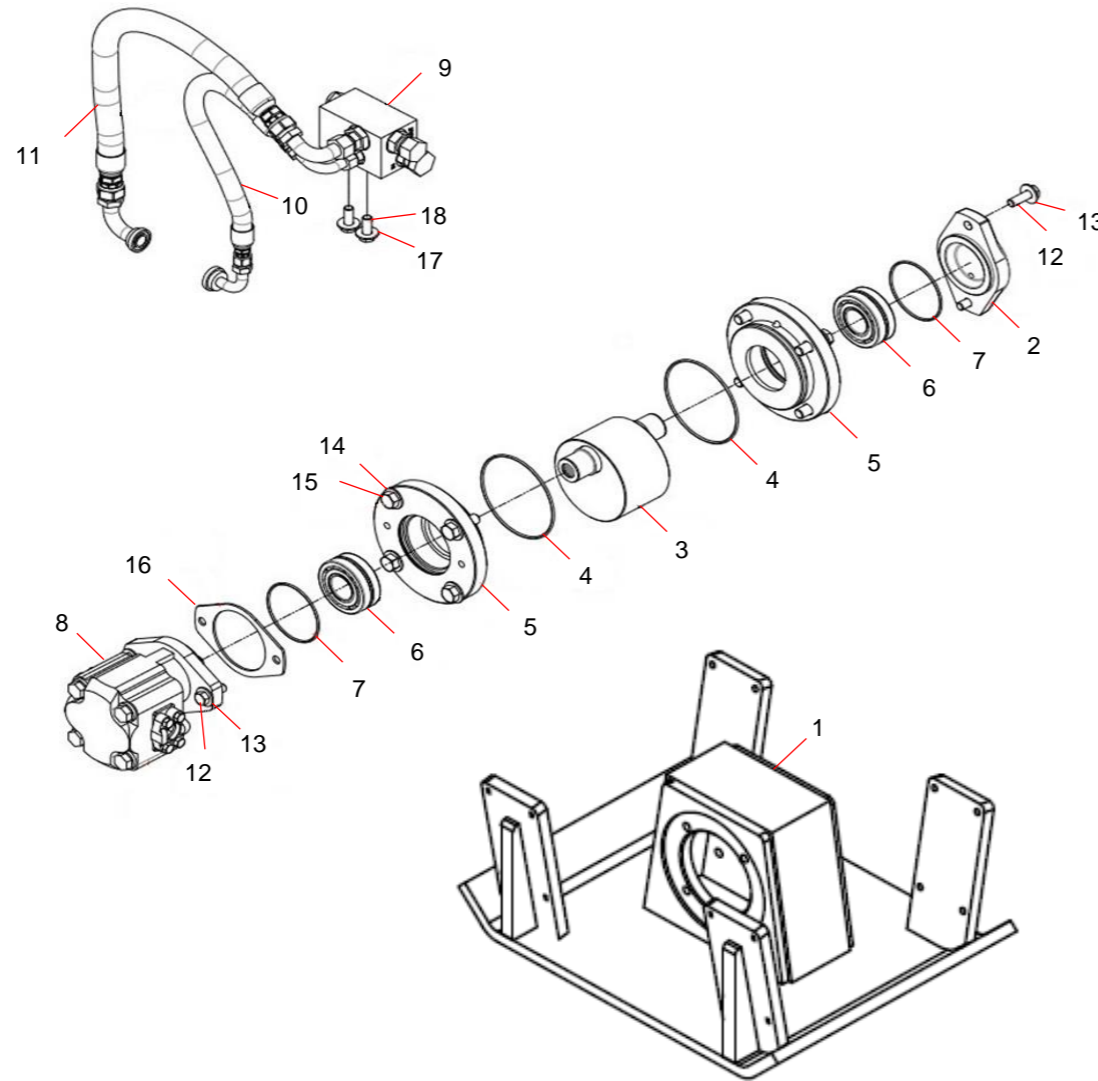
Sym	Part Code	Description	Q'ty	Int	Kit
1	SC04-01	SC-30 Tower	1		
2	SC04-02	SC-30 Base	1		
3	SC08-01	SC-30 Rubber	4		
4	-	3/4-10UNC x 2.50 Bolt	6		
5	-	3/4 Washer	12		
6	-	3/4 Nut	6		
7	-	3/8 -16UNC x 1.25	32		
8	-	3/8 Nut	32		
9	DE-STRK-CMP-S	STRIKER Sticker	2		
10	DE-SC-30	SC-30 Sticker	2		

For Decal and/or Tool Box information, please contact your Dealer

INT(interchangeability)

- Interchangeable old ↔ new
- △ Interchangeable old → new
- ▲ Interchangeable old ← new
- × Not interchangeable

SC-30



Parts

Sym	Part Code	Description	Q'ty	Int	Kit
1	SC04-02	SC-30 Base	1		
2	SC07-02	Bearing Plate	1		
3	SC06-01	Rotating Weight	1		
4	*	Bearing Housing O-Ring	2		S
5	SC07-03	Bearing Housing	2		
6	SC07-01	Bearing Spherical Roller	2		
7	*	Motor O'Ring	2		S
8	SC05-01	Permco Motor	1		
*	SC12-01AS	Flow Control Block CP	1		
9	SC12-01	Flow Control Block	1		
10	SC11-01	Pressure Hose	1		
11	SC11-02	Return Hose	1		
12	BLT-1/2-1.5	Bearing Plate Screw	2		
13	WASHER-1/2	Bearing Plate Washer	2		
14	*	Bearing Housing Washer	8		
15	BLT-5/8-11-2	Bearing Housing Screw	8		
16	SC13-01	Motor Mount Adapter	1		
17	WASHER-1/2	Flow control Block Washer	-		
18	*	Flow control Block Screw	-		
N/A	SC09-10	Seat Kit	1		

Flow Control Block CP consists of (4) hose port adapters and control block

Seal Kit consists of the parts marked "S". (Individual seals NOT sold separately)

INT(interchangeability)

○ Interchangeable old ↔ new

△ Interchangeable old → new

▲ Interchangeable old ← new

× Not interchangeable