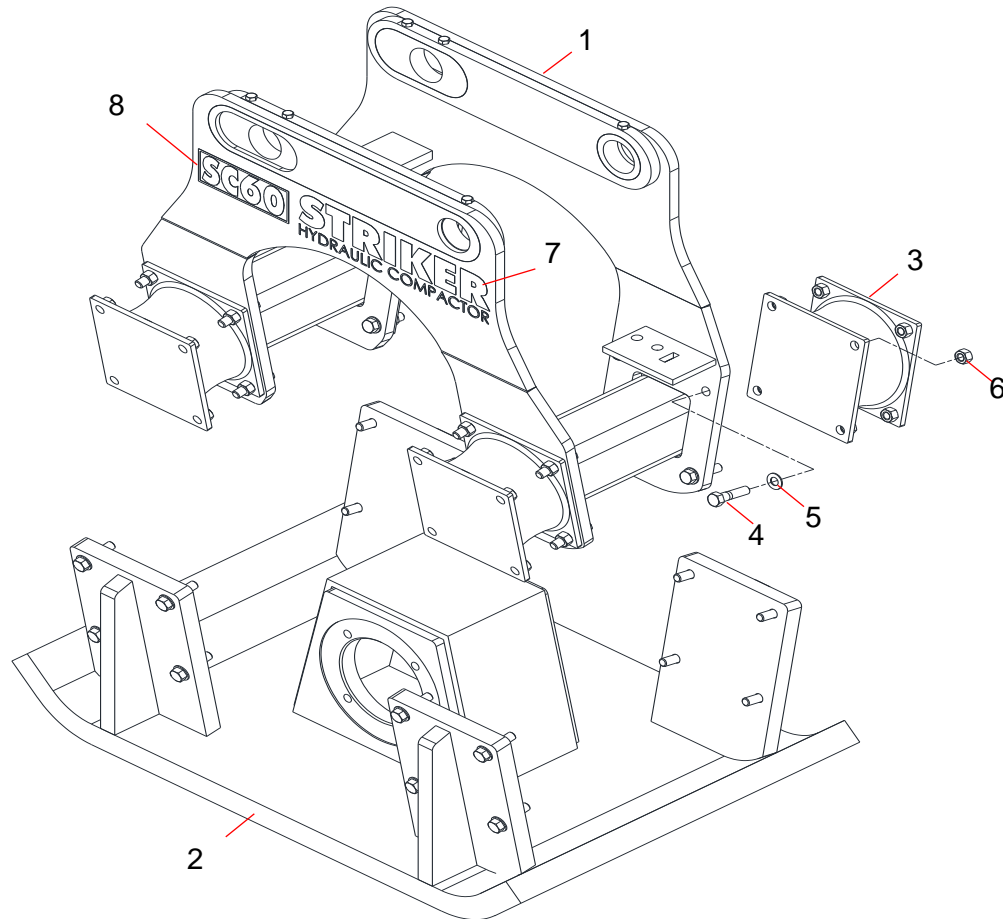


SC-60T



Parts

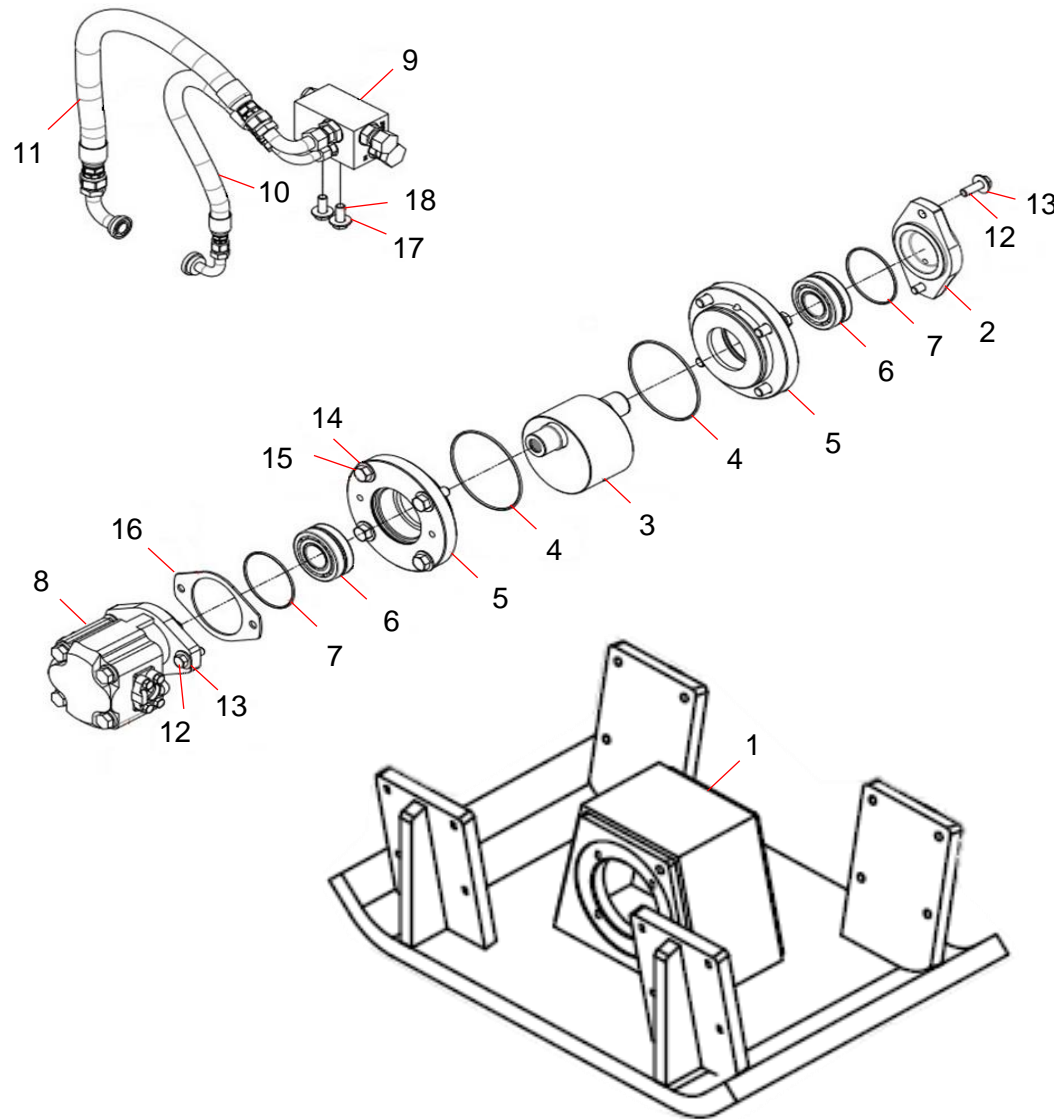
Sym	Part Code	Description	Q'ty	Int	Kit
1	-	SC-60T Tower	1		
2	-	SC-60T Base	1		
3	-	SC-60 Rubber	4		
4	-	1/2-13UNC x 2.00 Bolt	32		
5	-	1/2 Washer	32		
6	-	1/2 Nut	32		
7	-	STRIKER Sticker	2		
8	-	SC-60 Sticker	2		

For Decal and/or Tool Box information, please contact your Dealer

INT(interchangeability)

- Interchangeable old ↔ new
- △ Interchangeable old → new
- ▲ Interchangeable old ← new
- × Not interchangeable

SC-60T



Parts

Sym	Part Code	Description	Q'ty	Int	Kit
1		SC-60T Base	1		
2	SC07-02	Bearing Plate	1		
3	SC06-02	Rotating Weight	1		
4	*	Bearing Housing O-Ring	2		S
5	SC07-03	Bearing Housing	2		
6	SC07-01	Bearing Spherical Roller	2		
7	*	Motor O'Ring	2		S
8	SC05-01	Permco Motor	1		
9	SC12-01AS	Flow Control Block CP	1		
10	SC12-01	Flow Control Block	1		
11	SC11-03	Pressure Hose	1		
12	SC11-04	Return Hose	1		
13	HHCS 1/2-13UNC x 1.500	Bearing Plate Screw	2		
14	Washer 1/2" LD	Bearing Plate Washer	2		
15	Washer 5/8"LD	Bearing Housing Washer	8		
16	HHCS 5/8-11unc X 2.000	Bearing Housing Screw	8		
17	SC13-01	Motor Mount Adapter	1		
18	Washer 1/2" LD	Flow control Block Washer			
19	(2EA) 1/2-13UNC 1-1/4"	Flow control Block Screw			
N/A	SC09-10	Seat Kit	1		

Flow Control Block CP consists of (4) hose port adapters and control block

Seal Kit consists of the parts marked "S". (Individual seals NOT sold separately)

INT(interchangeability)

○ Interchangeable old ↔ new

△ Interchangeable old → new

▲ Interchangeable old ← new

x Not interchangeable