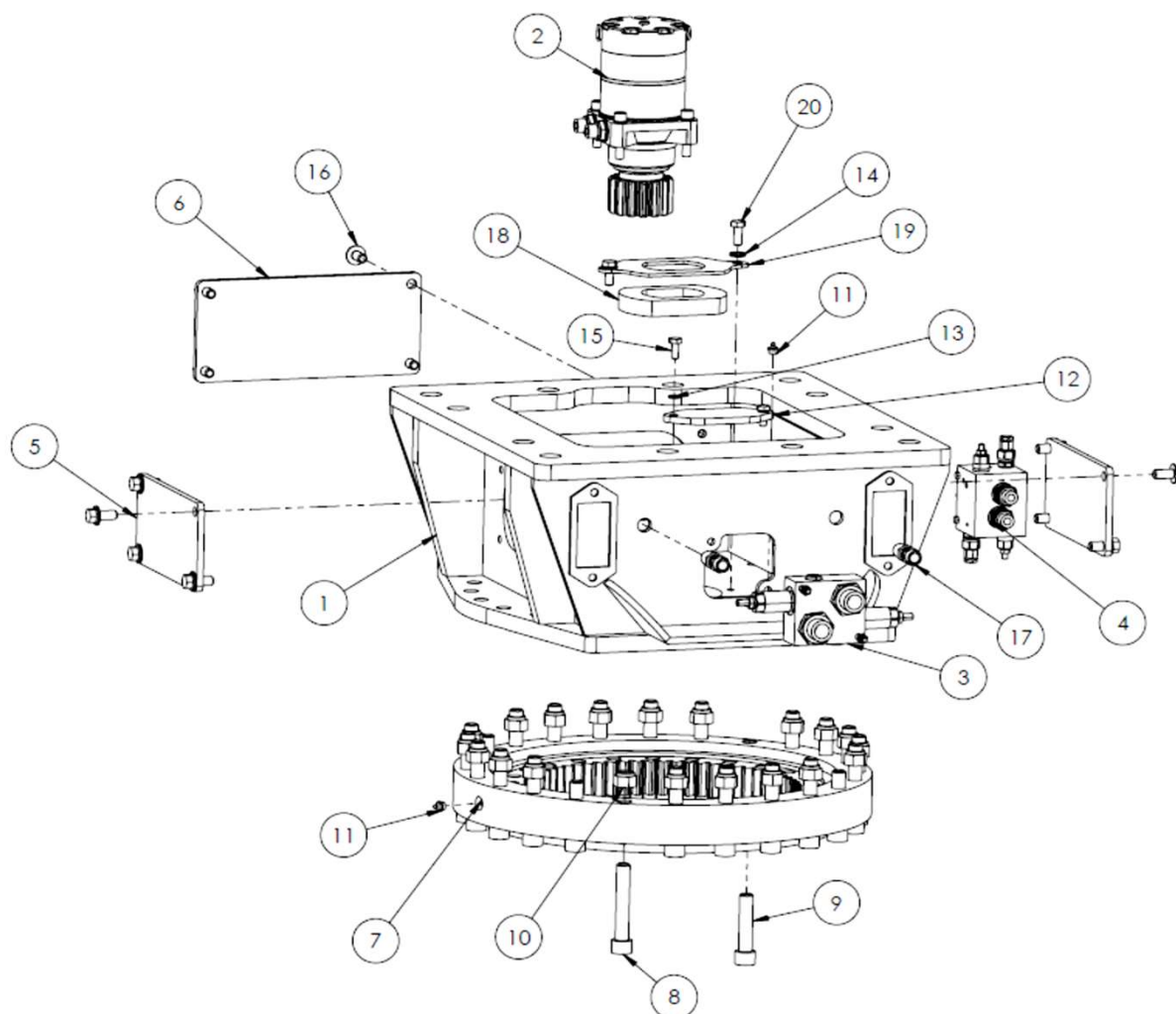
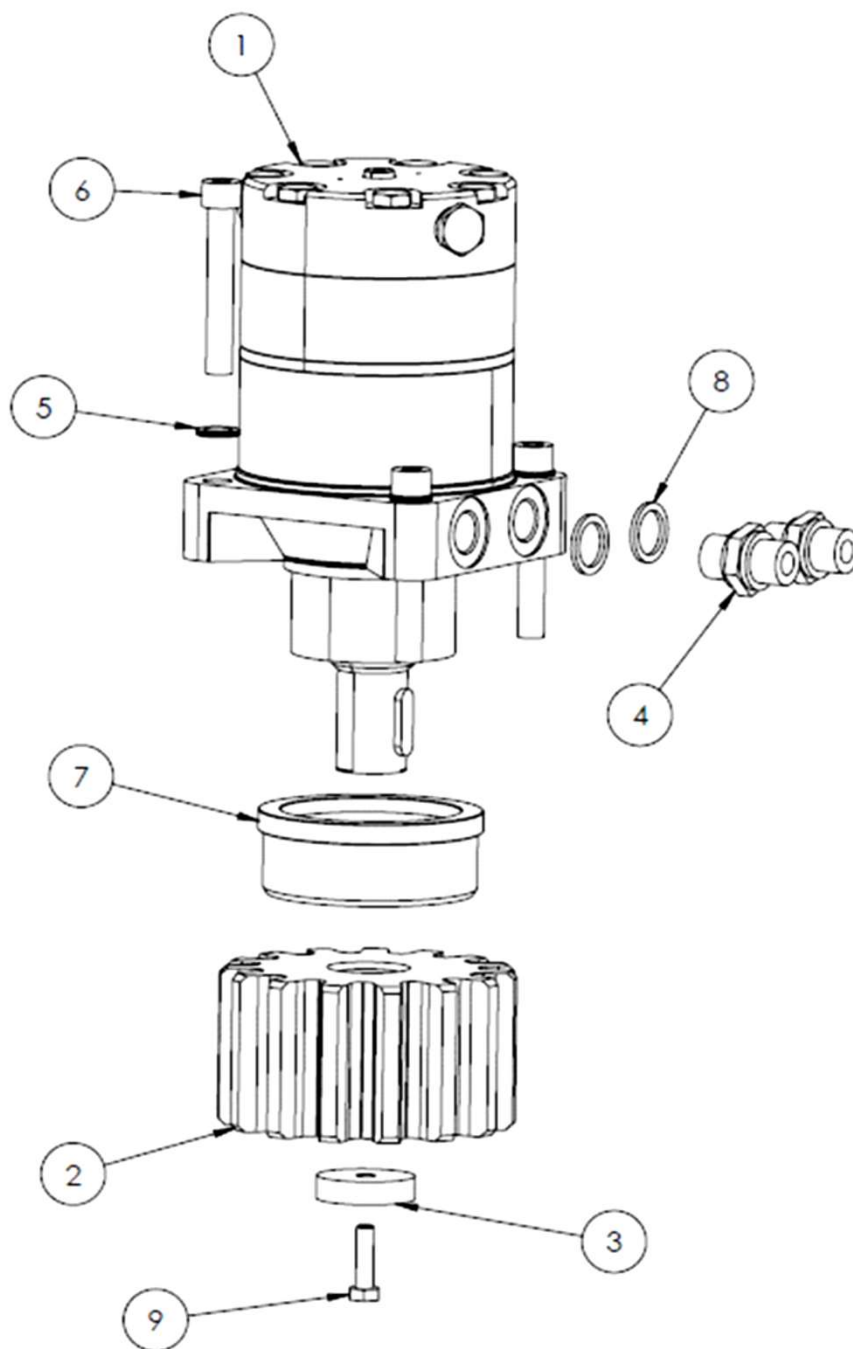


# SH25 ROTATION EXPLDED VIEW



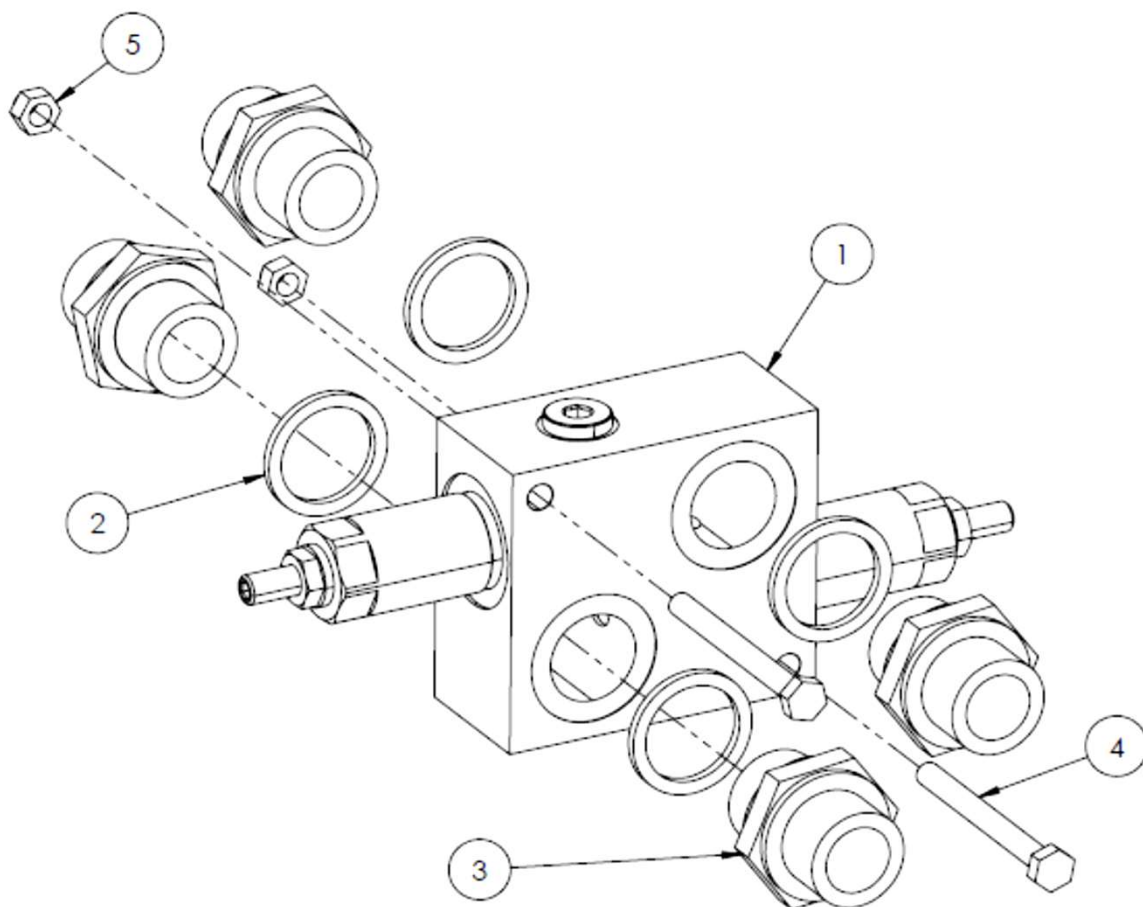
POS.	Q,TY	PART No.	DESCRIPTION
1	1	13001000	ROTATION BOX
2	1	01001101	ENGINE
3	1	29002800	OVERCENTER VALVE
4	1	29002900	CONTROL ROTATION VALVE
5	2	02017000	INSPECTION DOOR
6	1	02017100	INSPECTION DOOR
7	1	27000200	THRUST BEARING
8	20	04002600	TCEI M20X120
9	4	04007100	TCEI M20X90
10	20	07000200	LOCKNUT M20
11	2	25000200	GREASE FITTING
12	1	02004300	INSPECTION DOOR
13	2	05000900	NORD-LOCK M10
14	2	05001000	NORD-LOCK M12
15	2	04010500	TE M10X25
16	12	04019500	TEF M14X30
17	2	03002500	BULKHEAD FITTING 1/2"
18	1	02019500	JOINT ADAPTER
19	1	02019600	ADAPTER PLATE
20	2	04023500	TE M12X30

# SH25 MOTOR EXPLODED VIEW



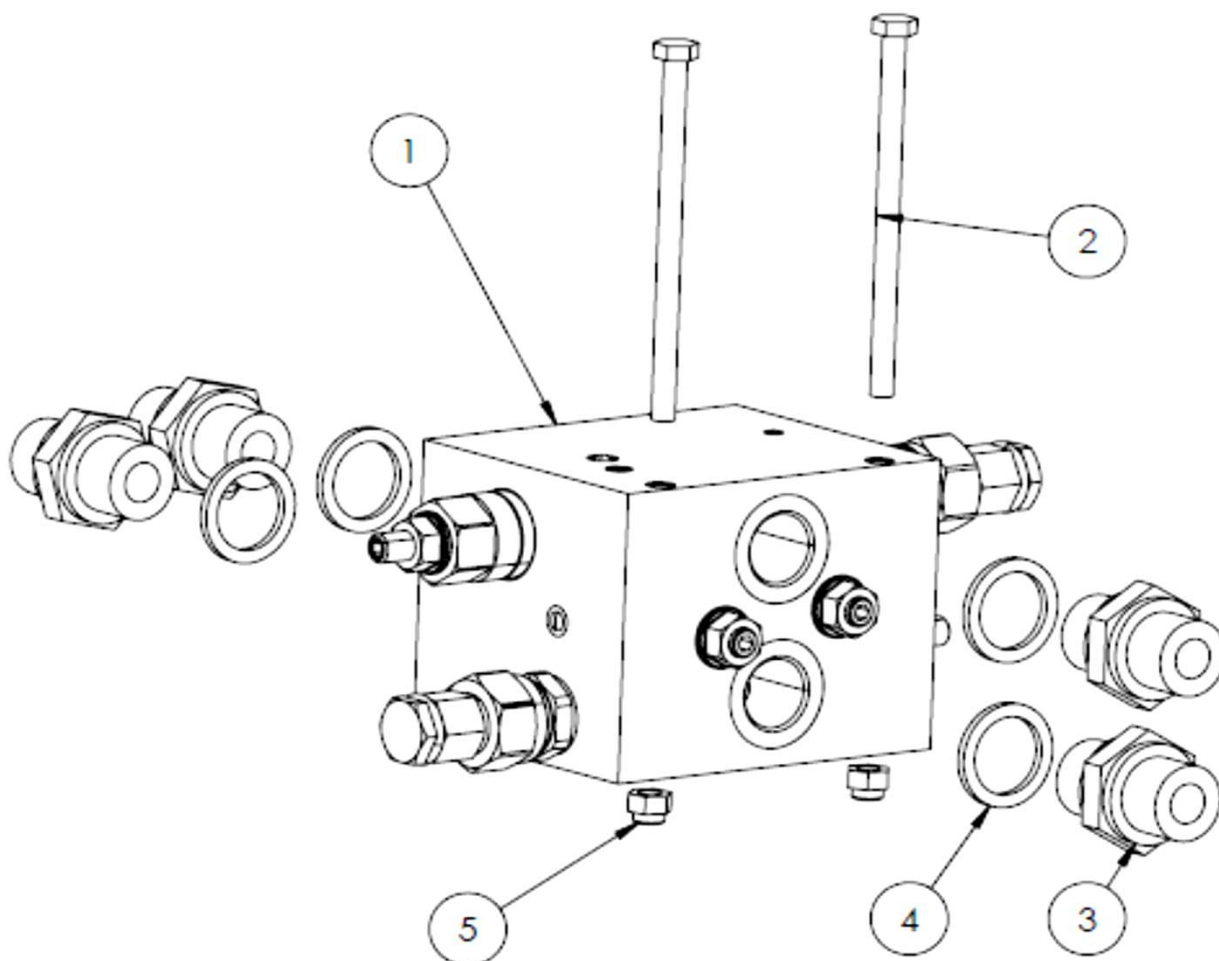
POS.	Q.TY	PART No.	DESCRIPTION
1	1	01001500	ENGINE 3.0
2	1	01001600	SPROCKET
3	1	05005600	SPROCKET WASHER
4	2	03000500	NIPLES 1/2"-1/2"
5	4	05001000	NORD-LOCK M12
6	4	04019300	TCEI M12X80
7	1	17006900	MOTOR BUSHING
8	2	05000600	BONDED SEAL 1/2"
9	1	04022100	TE M8X30
-	1	14003500	SEALS KIT

# SH25 VALVE EXPLODED VIEW 1



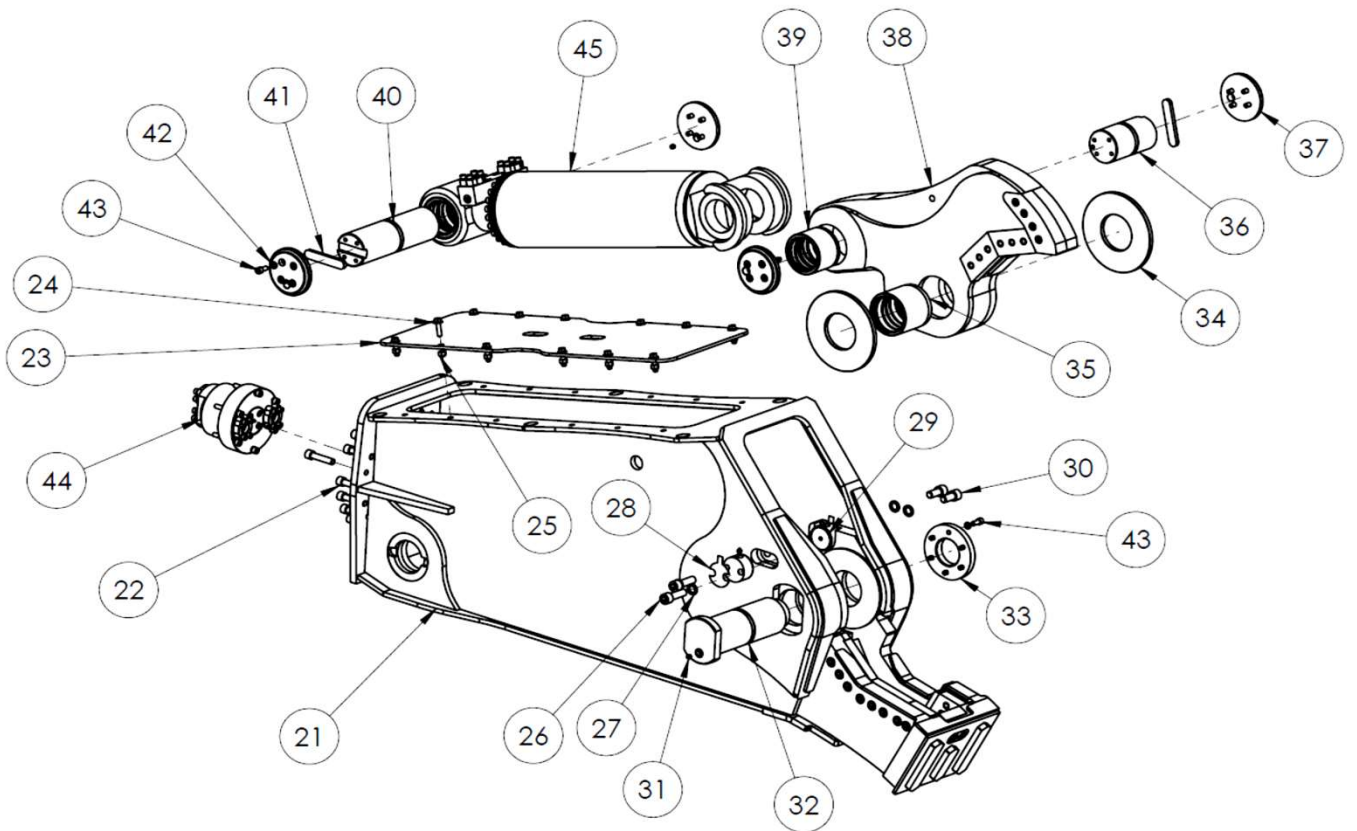
POS.	Q,TY	PART No.	DESCRIPTION
1	1	29000100	PRESSURE RELEIF VALVE
2	4	05000800	BONDED SEAL 1"
3	4	03000700	NIPLES 1" - 1"
4	2	04002100	TE M8X80
5	2	07000400	LOCKNUT M8

## SH25 VALVE EXPLODED VIEW 2



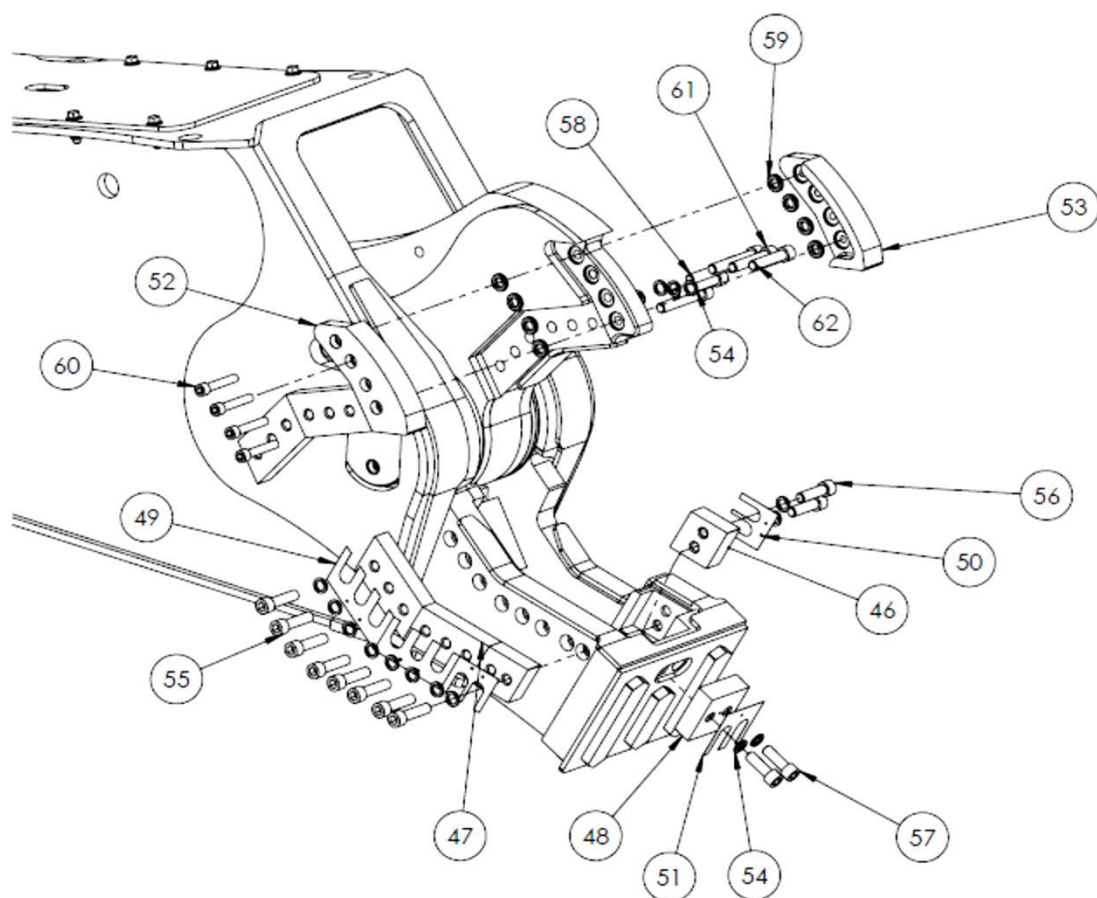
POS.	Q,TY	PART No.	DESCRIPTION
1	1	29001701	ROTATION CONTROL VALVE
2	2	04020300	TE M6X100
3	4	03000500	NIPLES 1/2"-1/2"
4	4	05000600	BONDED SEAL 1/2"
5	2	07002100	LOCKNUT M6

# SH25 BODY EXPLODED VIEW (1/2)



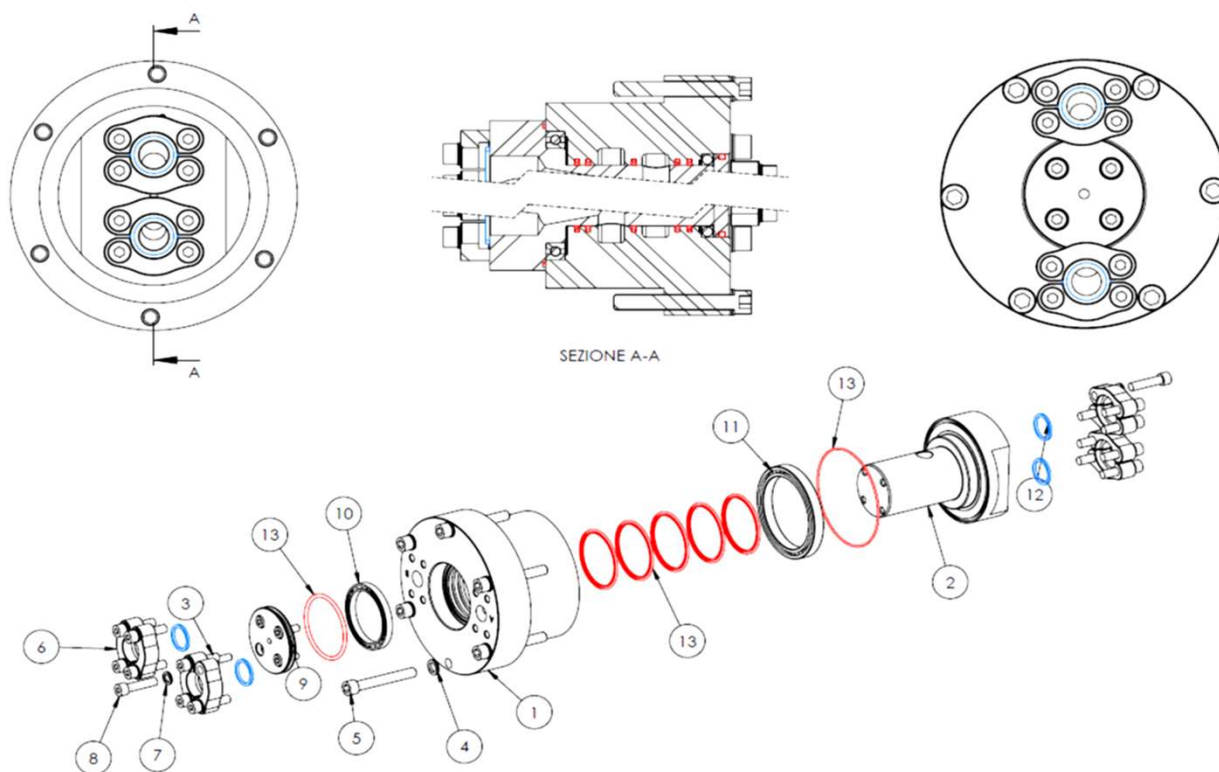
POS.	Q,TY	PART No.	DESCRIPTION
21	1	24001601	BODY
22	24	04007100	TCEI M20X90
23	1	02020400	DOOR
24	12	04022000	TEF M14X50
25	12	07000700	LOCKNUT M14
26	2	04006100	TCEI M24X80
27	4	05004200	NORD-LOCK M24
28	2	18001100	THICKNESS PAD
29	2	18000700	PAD
30	2	04007000	TCEI M24X50
31	5	25000200	GREASE FITTING
32	1	16003100	PIN
33	1	18000200	FLANGE
34	2	35003400	SPACER
35	1	17001400	BUSH
36	1	16002900	PIN
37	4	18000100	FLANGE
38	1	23001901	JAW
39	1	17009200	BUSH
40	1	16003000	PIN
41	2	15000500	TAB
42	22	05001100	NORD-LOCK M14
43	22	04001200	TCEI M14X30
44	1	12000100	JOINT 1"
45	1	19002202	CYLINDER

## SH25 BODY EXPLODED VIEW (2/2)



POS.	Q,TY	PART No.	DESCRIPTION
46	2	21015200	BLADE
47	4	21015300	BLADE
48	1	21015400	FRONT BLADE
49	2	21015300_D_0.5	BLADE SHIM
50	2	21015200_D_0.5	BLADE SHIM
51	1	21015400_D_0.5	FRONT BLADE SHIM
52	1	22001100	PEAK DX
53	1	22001200	PEAK SX
54	18	05001400	NORD-LOCK M20
55	8	04004000	TCEI M20X80
56	2	04003900	TCEI M20X70
57	2	04000800	TCEI M20X60
58	4	04002600	TCEI M20X120
59	8	05006800	WASHER
60	4	04001900	TCEI M16X90
61	1	04001000	TCEI M20X100
62	1	04007100	TCEI M20X90

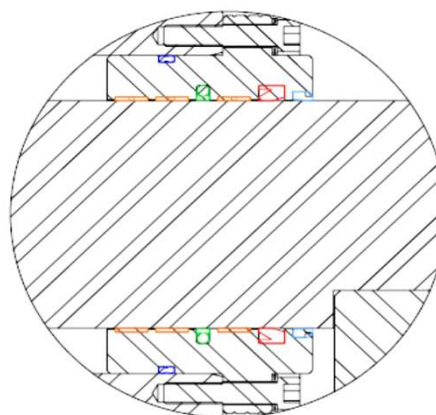
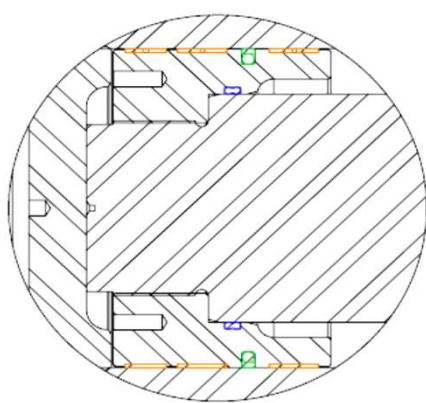
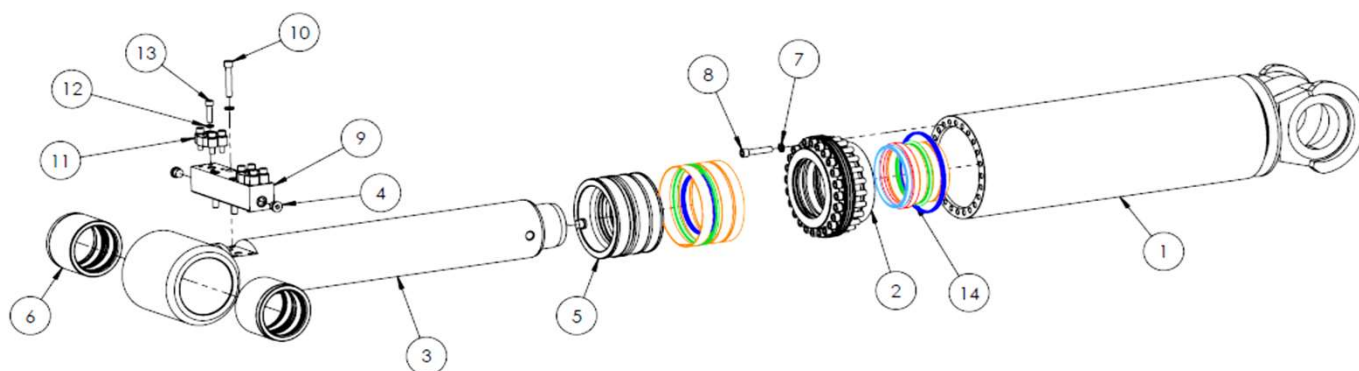
# SH25 JOINT EXPLODED VIEW



POS.	Q.TY	PART No.	DESCRIPTION
1	1	12000300	STATOR
2	1	12000400	ROTOR
3	4	04002300	TCEI M10X25
4	6	05001100	NORD-LOCK M14
5	6	04008700	TCEI M14X100
6	4	03001200	SEMIFANGIA SAE 6000 1"
7	16	05001000	NORD-LOCK M12
8	16	04003300	TCEI M12X50
9	1	02010900	FLANGE JOINT
10	1	11000100	BEARING
11	1	11000200	BEARING
12	4	05000400	FACE SEAL 1"
13	1	14000700	SEAL KIT



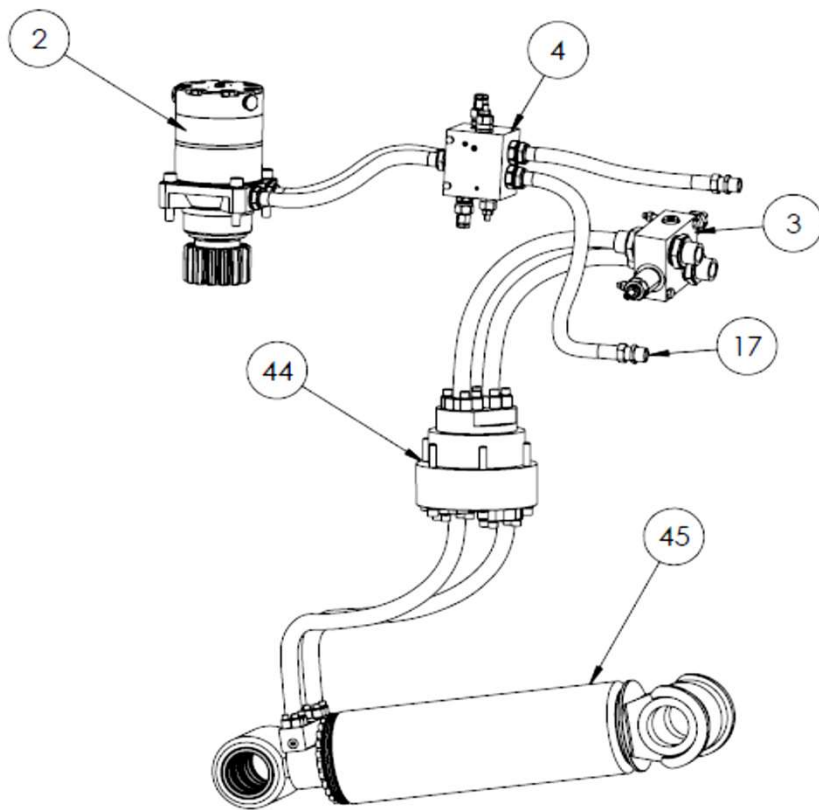
## SH25 CYLINDER EXPLODED VIEW



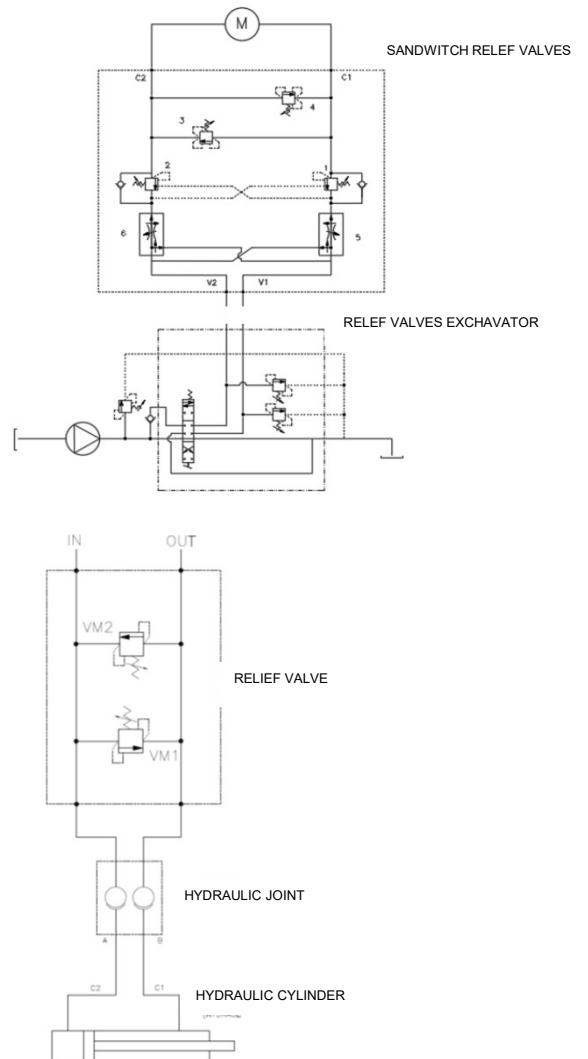
POS.	Q,TY	PART No.	DESCRIPTION
1	1	37003203	CYLINDER LINER
2	1	39001000	CYLINDER HEAD
3	1	36002203	CYLINDER ROD
4	3	06001500	PLUG 1/2
5	1	38001100	CYLINDER PISTON
6	2	17001001	BUSH
7	28	05001100	NORD-LOCK M14
8	24	04013901	TCEI M14X70
9	1	20000100	MANIFOLD
10	4	04013400	TCEI M14X80
11	2	03001200	SEMIFANGIA SAE 6000 1"
12	8	05001000	NORD-LOCK M12
13	8	04007800	TCEI M12X45
13	1	14002800	SEALS CYLINDER KIT



# SH25 HYDRAULIC EXPLODED VIEW



## HYDRAULIC ROTATION SYSTEM



POS.	Q,TY	PART No.	DESCRIPTION
3	1	29002800	OVERCENTER VALVE
2	1	01001101	COMPLETE ENGINE
17	2	03002500	BULKHEAD FITTING 1/2"
4	1	29002900	CONTROL ROTATION VALVE
44	1	12000100	JOINT 1"
45	1	19000800	CYLINDER