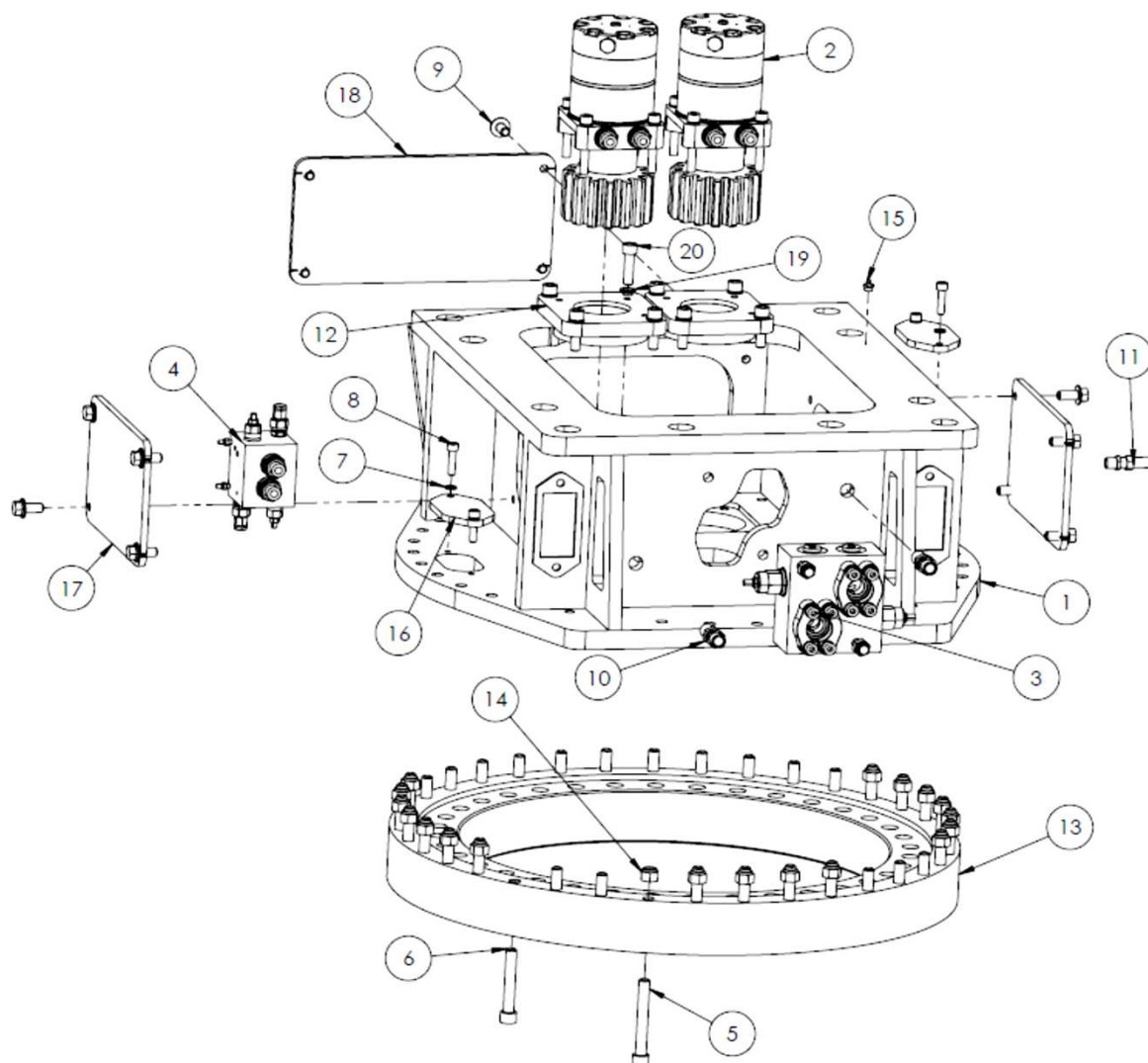
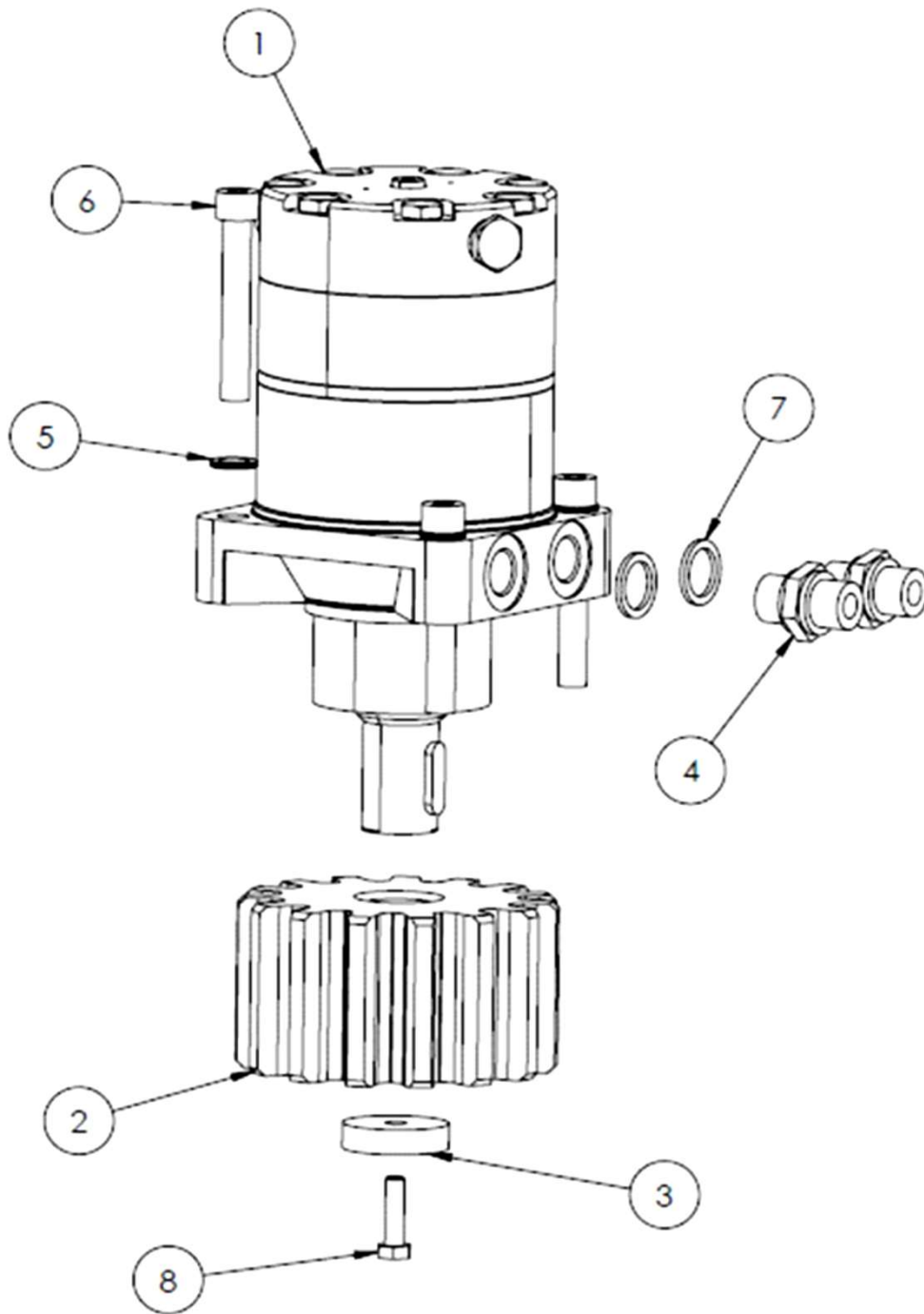


# SH35 ROTATION EXPLDED VIEW



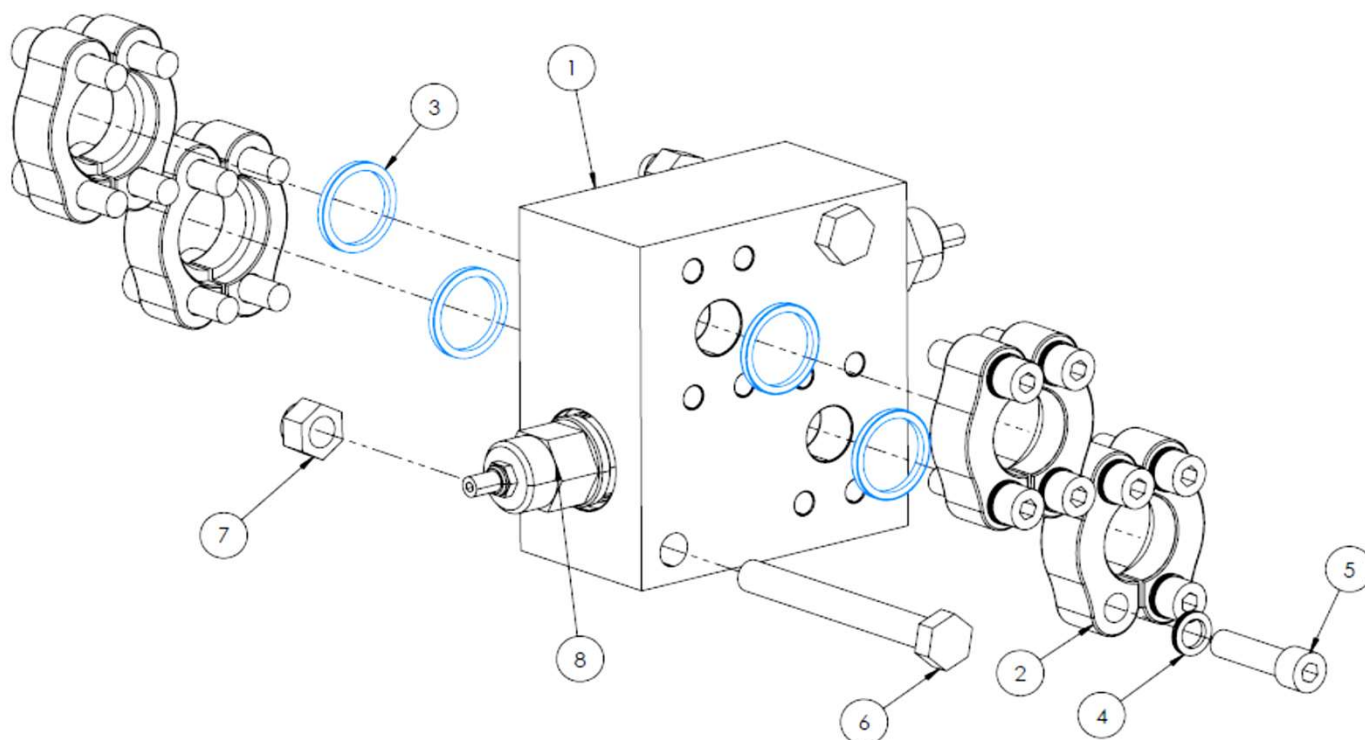
| POS. | Q,TY | PART No. | DESCRIPTION            |
|------|------|----------|------------------------|
| 1    | 1    | 13000300 | ROTATION BOX           |
| 2    | 2    | 01001111 | ENGINE                 |
| 3    | 1    | 29003000 | OVERCENTER VALVE 1"    |
| 4    | 1    | 29002900 | CONTROL ROTATION VALVE |
| 5    | 19   | 04002900 | TCEI M16X120           |
| 6    | 17   | 04002000 | TCEI M16X100           |
| 7    | 4    | 05000900 | NORD-LOCK M10          |
| 8    | 4    | 04019700 | TCEI M10X40            |
| 9    | 12   | 04019500 | TEF M14X30             |
| 10   | 2    | 03002500 | BULKHEAD FITTING 1/2"  |
| 11   | 1    | 03009500 | BULKHEAD 3/8"          |
| 12   | 2    | 02017900 | ENGINE FLANGE          |
| 13   | 1    | 27000300 | THRUST BEARING         |
| 14   | 19   | 07000800 | LOCKNUT M16            |
| 15   | 1    | 25000200 | GREASE FITTING         |
| 16   | 2    | 02004300 | INSPECTION DOOR        |
| 17   | 2    | 02017600 | INSPECTION DOOR        |
| 18   | 1    | 02017700 | INSPECTION DOOR        |
| 19   | 8    | 05001100 | NORD-LOCK M14          |
| 20   | 8    | 04022200 | TCEI M14X50            |

# SH35 MOTOR EXPLODED VIEW



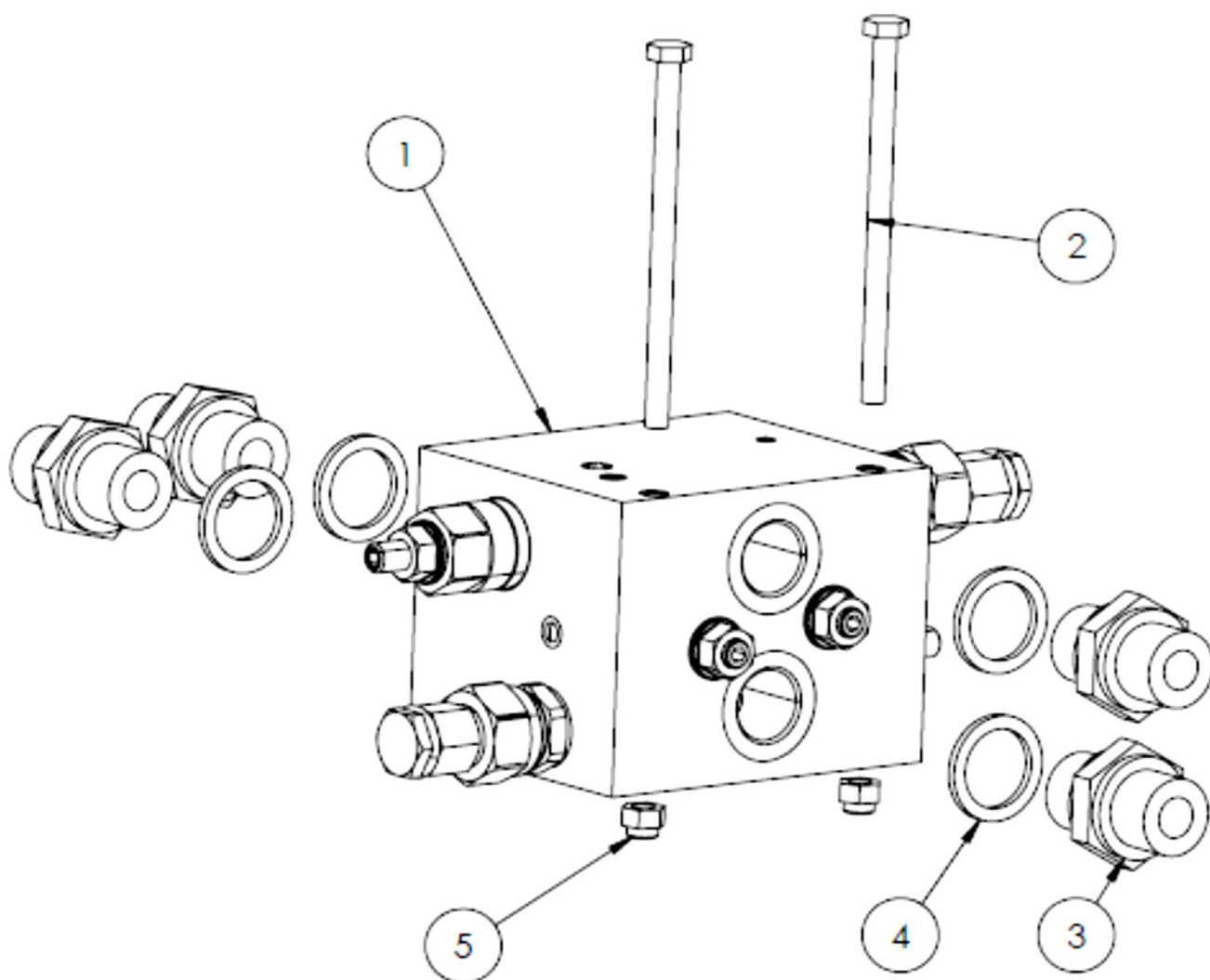
| POS. | Q.TY | PART No. | DESCRIPTION      |
|------|------|----------|------------------|
| 1    | 1    | 01001500 | ENGINE 3.0       |
| 2    | 1    | 01001700 | SPROCKET         |
| 3    | 1    | 05005600 | SPROCKET WASHER  |
| 4    | 2    | 03000500 | NIPLES 1/2"-1/2" |
| 5    | 4    | 05001000 | NORD-LOCK M12    |
| 6    | 4    | 04019300 | TCEI M12X80      |
| 7    | 2    | 05000600 | BONDED SEAL 1/2" |
| 8    | 1    | 04022100 | TE M8X30         |
| -    | 1    | 14003500 | SEALS KIT        |

# SH35 VALVE EXPLODED VIEW 1



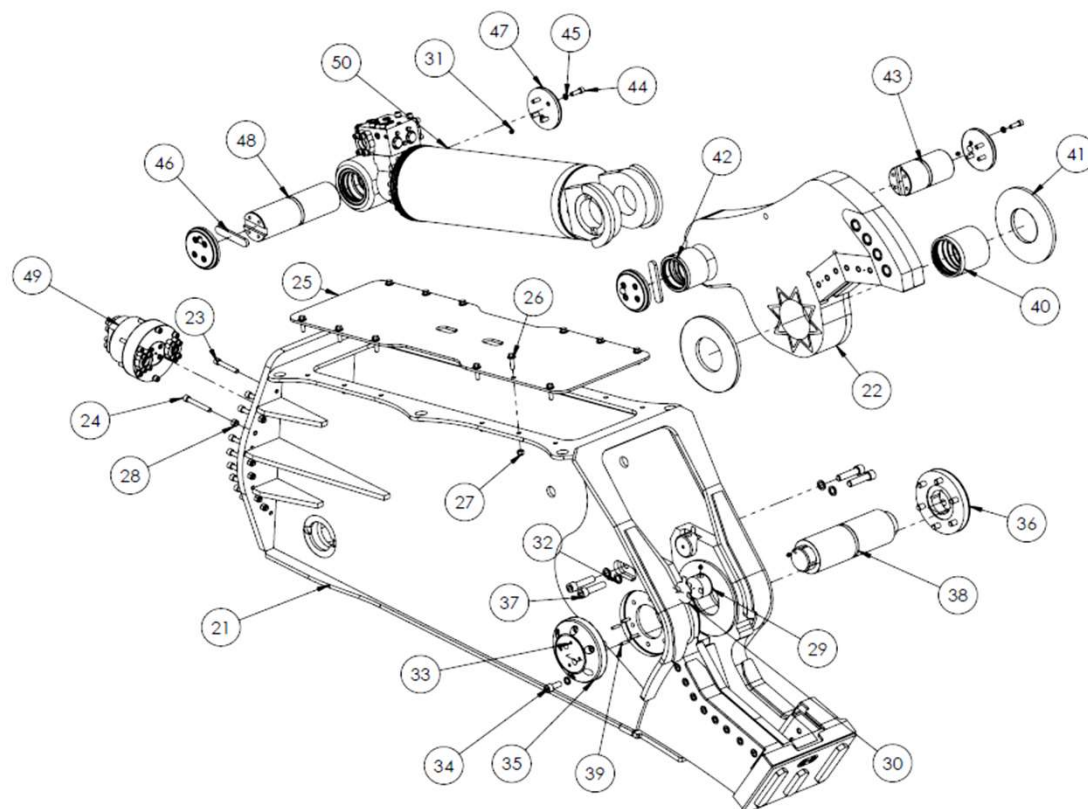
| POS. | Q.TY | PART No. | DESCRIPTION            |
|------|------|----------|------------------------|
| 1    | 1    | 29000200 | PRESSURE RELEIF VALVE  |
| 2    | 4    | 03001200 | SEMIFANGIA SAE 6000 1" |
| 3    | 4    | 05000400 | FACE SEAL 1"           |
| 4    | 16   | 05001000 | NORD-LOCK M12          |
| 5    | 16   | 04007800 | TCEI M12X45            |
| 6    | 2    | 04022300 | TE M14X120             |
| 7    | 2    | 07000700 | LOCKNUT M14            |
| 8    | 2    | 10000100 | CARTRIDGE              |

## SH35 VALVE EXPLODED VIEW 2



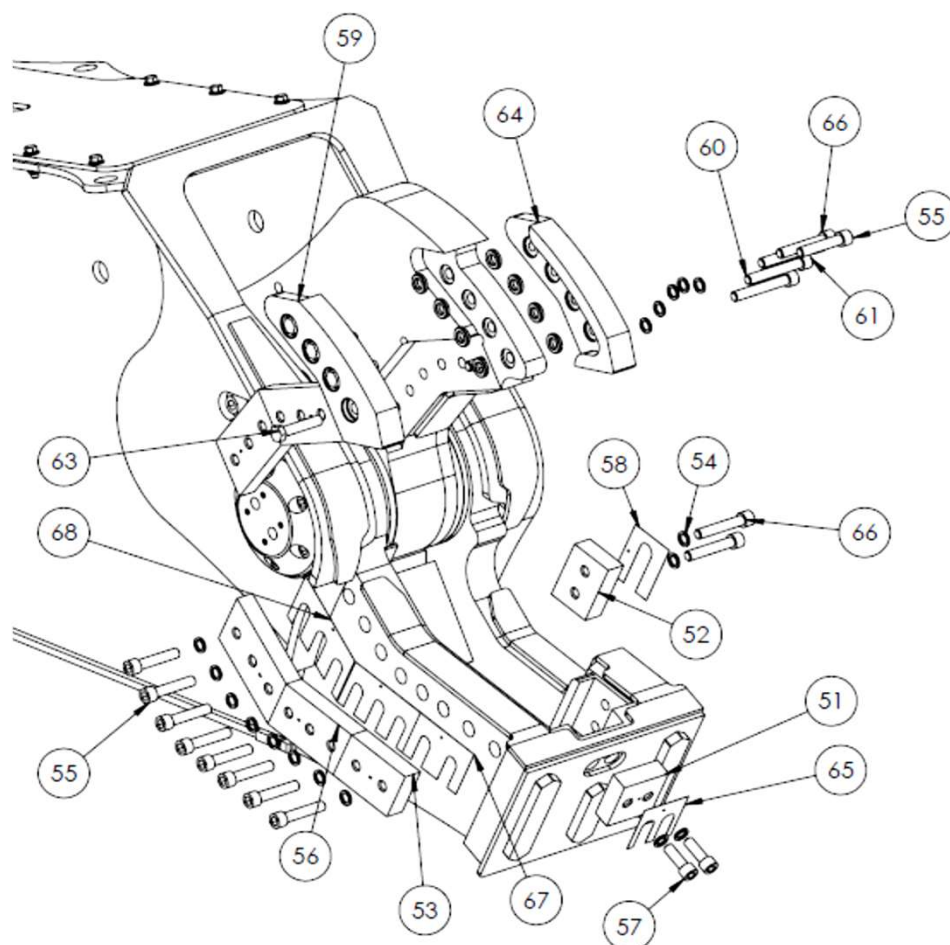
| POS. | Q,TY | PART No. | DESCRIPTION            |
|------|------|----------|------------------------|
| 1    | 1    | 29001701 | ROTATION CONTROL VALVE |
| 2    | 2    | 04020300 | TE M6X100              |
| 3    | 4    | 03000500 | NIPLES 1/2"-1/2"       |
| 4    | 4    | 05000600 | BONDED SEAL 1/2"       |
| 5    | 2    | 07002100 | LOCKNUT M6             |

## SH35 BODY EXPLODED VIEW (1/2)



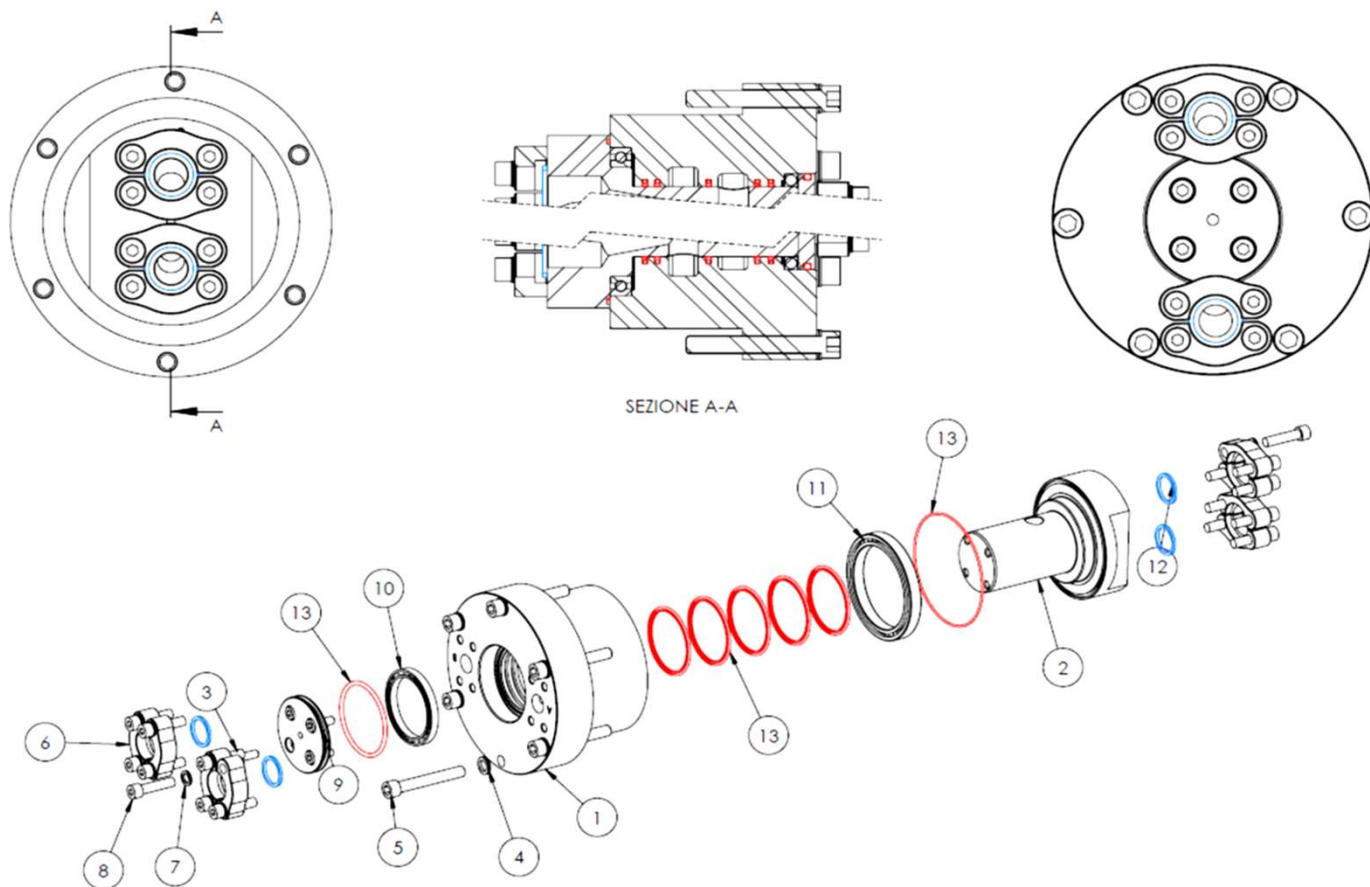
| POS. | Q.TY | PART No. | DESCRIPTION    |
|------|------|----------|----------------|
| 21   | 1    | 24001701 | BODY           |
| 22   | 1    | 23002001 | JAW            |
| 23   | 21   | 04002000 | TCEI M16X100   |
| 24   | 15   | 04002900 | TCEI M16X120   |
| 25   | 1    | 2018001  | DOOR           |
| 26   | 12   | 04022000 | TEF M14X50     |
| 27   | 12   | 07000700 | LOCKNUT M14    |
| 28   | 15   | 07000800 | LOCKNUT M16    |
| 29   | 2    | 18000700 | PAD            |
| 30   | 2    | 18001100 | THICKNESS PAD  |
| 31   | 5    | 25000200 | GREASE FITTING |
| 32   | 4    | 05004200 | NORD-LOCK M24  |
| 33   | 4    | 04008000 | SET SCREW M10  |
| 34   | 12   | 04000200 | TCEI M20X50    |
| 35   | 1    | 18000500 | FLANGE         |
| 36   | 1    | 18000500 | FLANGE         |
| 37   | 4    | 04006300 | TCEI M24X100   |
| 38   | 1    | 16002700 | PIN            |
| 39   | 4    | 56062800 | DOWEL          |
| 40   | 1    | 17009100 | BUSH           |
| 41   | 2    | 35004800 | SPACER         |
| 42   | 1    | 17001001 | BUSH           |
| 43   | 1    | 16001501 | PIN            |
| 44   | 16   | 04001500 | TCEI M14X45    |
| 45   | 16   | 05001100 | NORD-LOCK M14  |
| 46   | 2    | 15000500 | TAB            |
| 47   | 4    | 18000100 | FLANGE         |
| 48   | 1    | 16002600 | PIN            |
| 49   | 1    | 12000100 | JOINT 1"       |
| 50   | 1    | 19001501 | CYLINDER       |

## SH35 BODY EXPLODED VIEW (2/2)



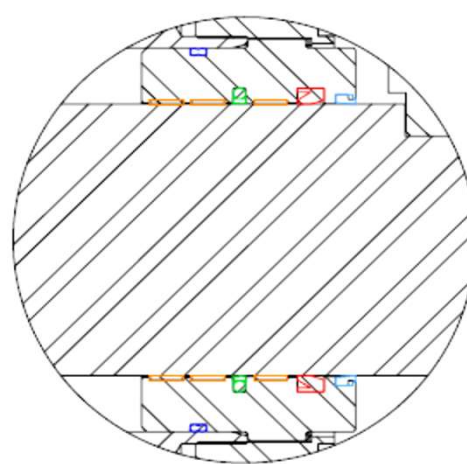
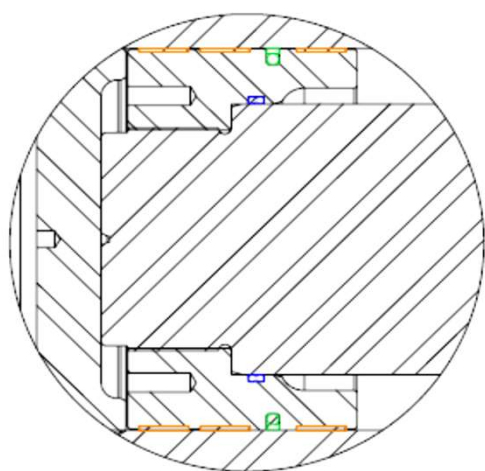
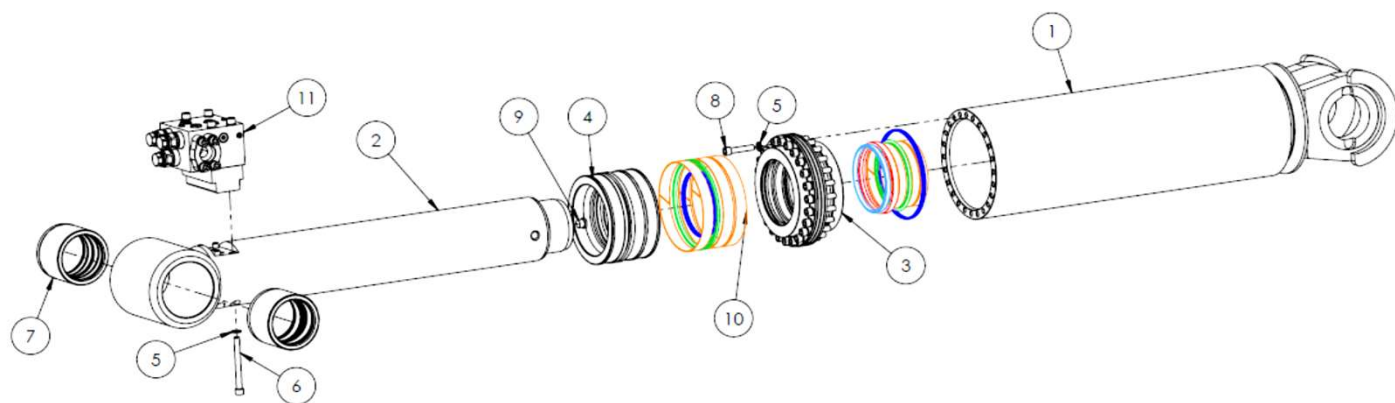
| POS. | Q,TY | PART No.     | DESCRIPTION      |
|------|------|--------------|------------------|
| 51   | 1    | 21015400     | FRONT BLADE      |
| 52   | 1    | 21015000     | GUIDE BLADE      |
| 53   | 1    | 21014900     | BLADE            |
| 54   | 18   | 05001400     | NORD-LOCK M20    |
| 55   | 9    | 04001000     | TCEI M20X100     |
| 56   | 4    | 21014800     | BLADE            |
| 57   | 2    | 04000800     | TCEI M20X60      |
| 58   | 1    | 1015000_D_0. | GUIDE BLADE SHIM |
| 59   | 1    | 22000900     | PEAK DX          |
| 60   | 3    | 04025000     | TCEI M20X130     |
| 61   | 1    | 04009400     | TCEI M20X85      |
| 62   | 8    | 05006900     | WASHER           |
| 63   | 4    | 04025500     | TE M20X95        |
| 64   | 1    | 22001000     | PUNTALE SX       |
| 65   | 1    | 1015100_D_0. | FRONT BLADE SHIM |
| 66   | 3    | 04007700     | TCEI M20X110     |
| 67   | 1    | 1014900_D_0. | BLADE SHIM       |
| 68   | 2    | 1014800_D_0. | BLADE SHIM       |

# SH35 JOINT EXPLODED VIEW



| POS. | Q, TY | PART No. | DESCRIPTION                   |
|------|-------|----------|-------------------------------|
| 1    | 1     | 12000300 | STATORE / STATOR              |
| 2    | 1     | 12000400 | ROTORE / ROTOR                |
| 3    | 4     | 04002300 | TCEI M10X25                   |
| 4    | 6     | 05001100 | NORD-LOCK M14                 |
| 5    | 6     | 04008700 | TCEI M14X100                  |
| 6    | 4     | 03001200 | SEMIFANGIA SAE 6000 1"        |
| 7    | 16    | 05001000 | NORD-LOCK M12                 |
| 8    | 16    | 04003300 | TCEI M12X50                   |
| 9    | 1     | 02010900 | FLANGIA GIUNTO / FLANGE JOINT |
| 10   | 1     | 11000100 | CUSCINETTO / BEARING          |
| 11   | 1     | 11000200 | CUSCINETTO / BEARING          |
| 12   | 4     | 05000400 | FACE SEAL 1"                  |
| 13   | 1     | 14000700 | KIT GUARNIZIONE / SEAL KIT    |

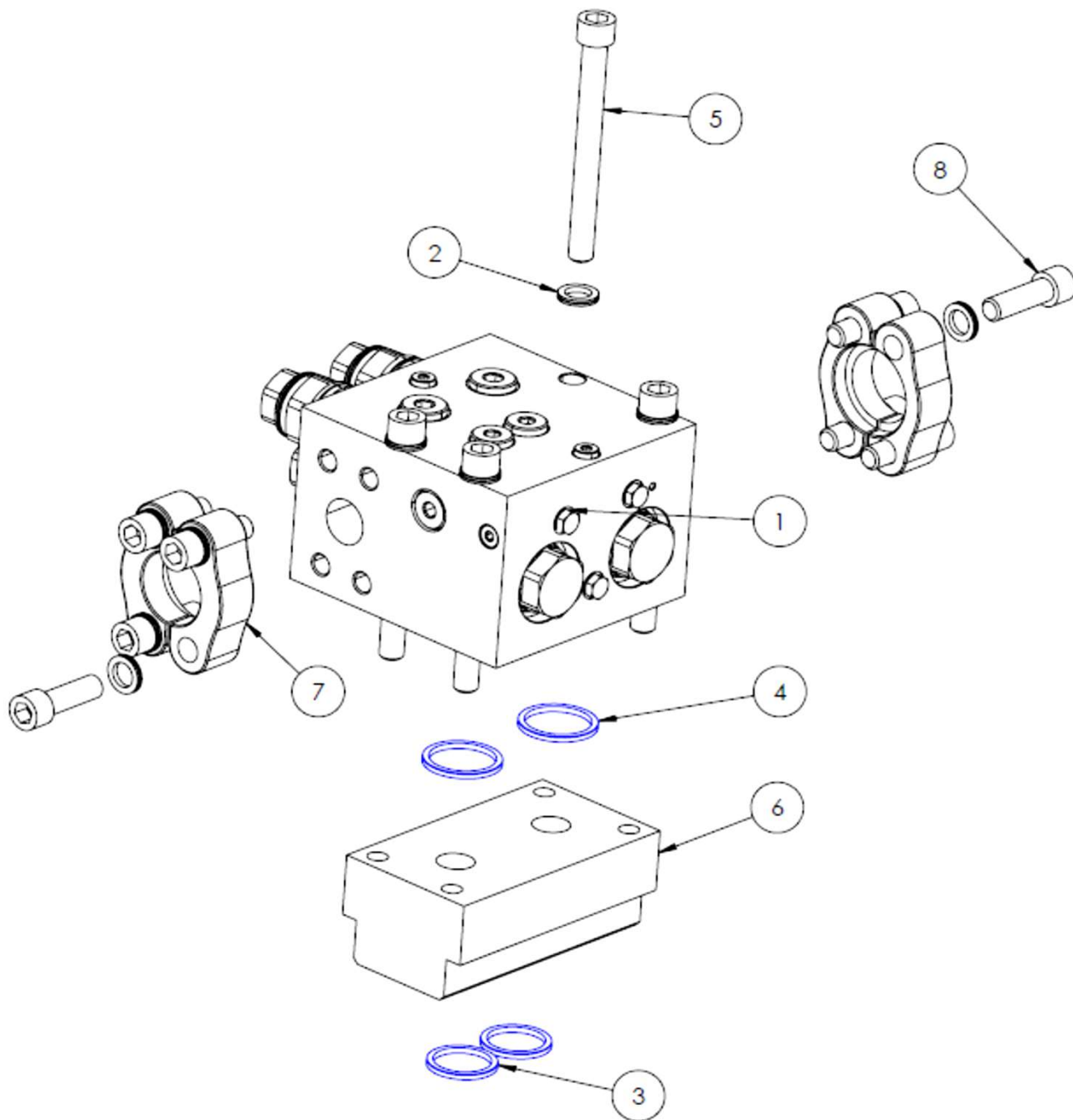
# SH35 CYLINDER EXPLODED VIEW



| POS. | Q,TY | PART No. | DESCRIPTION        |
|------|------|----------|--------------------|
| 1    | 1    | 37002302 | CYLINDER LINER     |
| 2    | 1    | 36001901 | CYLINDER ROD       |
| 3    | 1    | 39001100 | CYLINDER HEAD      |
| 4    | 1    | 38001200 | CYLINDER PISTON    |
| 5    | 28   | 05001100 | NORD-LOCK M14      |
| 6    | 4    | 04009700 | TCEI M14X140       |
| 7    | 2    | 17001001 | BUSH               |
| 8    | 24   | 04013901 | TCEI M14X70        |
| 9    | 1    | 06001500 | PLUG 1/2           |
| 10   | 1    | 14002700 | SEALS CYLINDER KIT |
| 11   | 1    | 29003100 | SPEED VALVE        |



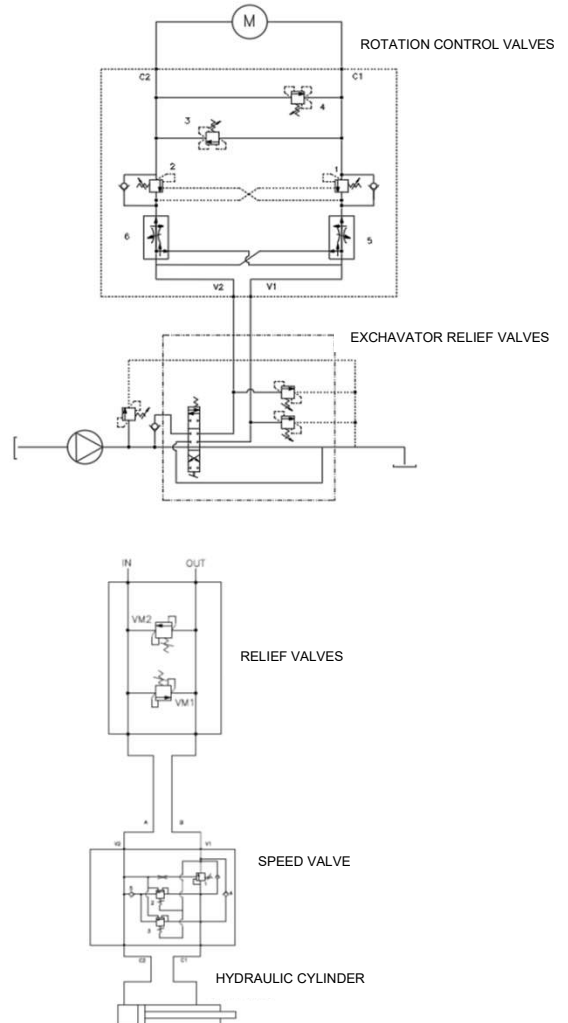
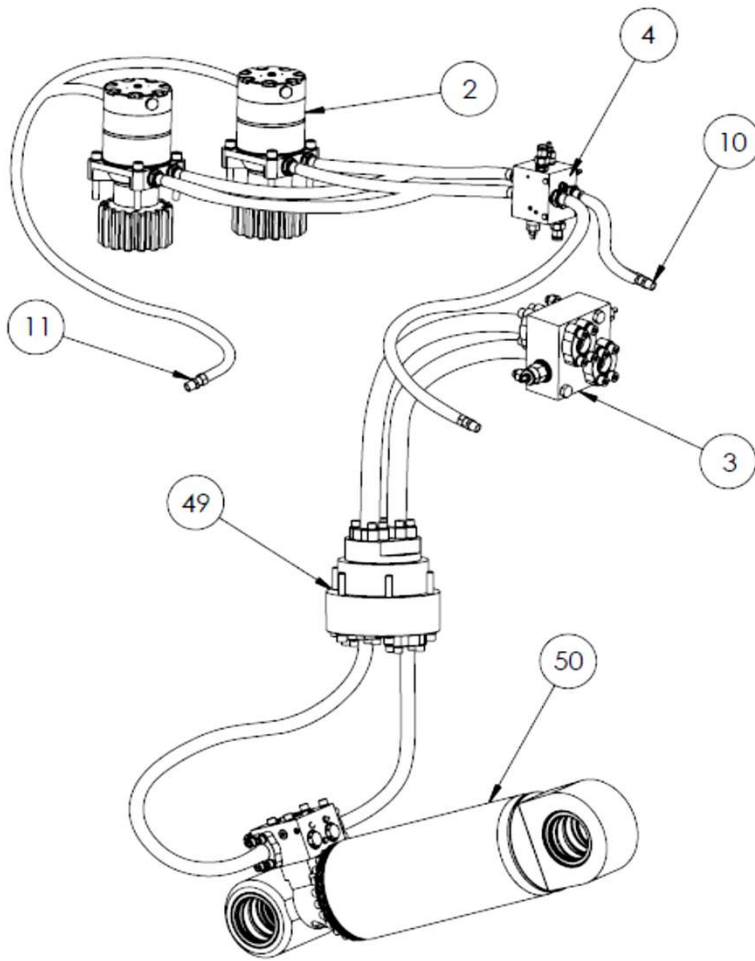
# SH35 SPEED VALVE EXPLODED VIEW



| POS. | Q.TY | PART No. | DESCRIPTION                 |
|------|------|----------|-----------------------------|
| 1    | 1    | 29000400 | SPEED VALVE                 |
| 2    | 12   | 05001100 | NORD-LOCK M14               |
| 3    | 2    | 05000400 | FACE SEAL 1"                |
| 4    | 2    | 05000500 | FACE SEAL 1" 1-4"           |
| 5    | 4    | 04009700 | TCEI M14X140                |
| 6    | 1    | 20000200 | MANIFOLD                    |
| 7    | 2    | 03001300 | SEMIFLANGIA SAE 6000 1_1/4" |
| 8    | 8    | 04001500 | TCEI M14X45                 |

# SH35 HYDRAULIC EXPLODED VIEW

## HYDRAULIC ROTATION SYSTEM



| POS. | Q,TY | PART No. | DESCRIPTION            |
|------|------|----------|------------------------|
| 3    | 1    | 29003000 | OVERCENTER VALVE       |
| 2    | 2    | 01001111 | COMPLETE ENGINE        |
| 10   | 2    | 03002500 | BULKHEAD FITTING 1/2"  |
| 4    | 1    | 29002900 | CONTROL ROTATION VALVE |
| 11   | 1    | 03009500 | BULKHEAD 3/8"          |
| 49   | 1    | 12000100 | JOINT 1"               |
| 50   | 1    | 19001501 | CYLINDER               |