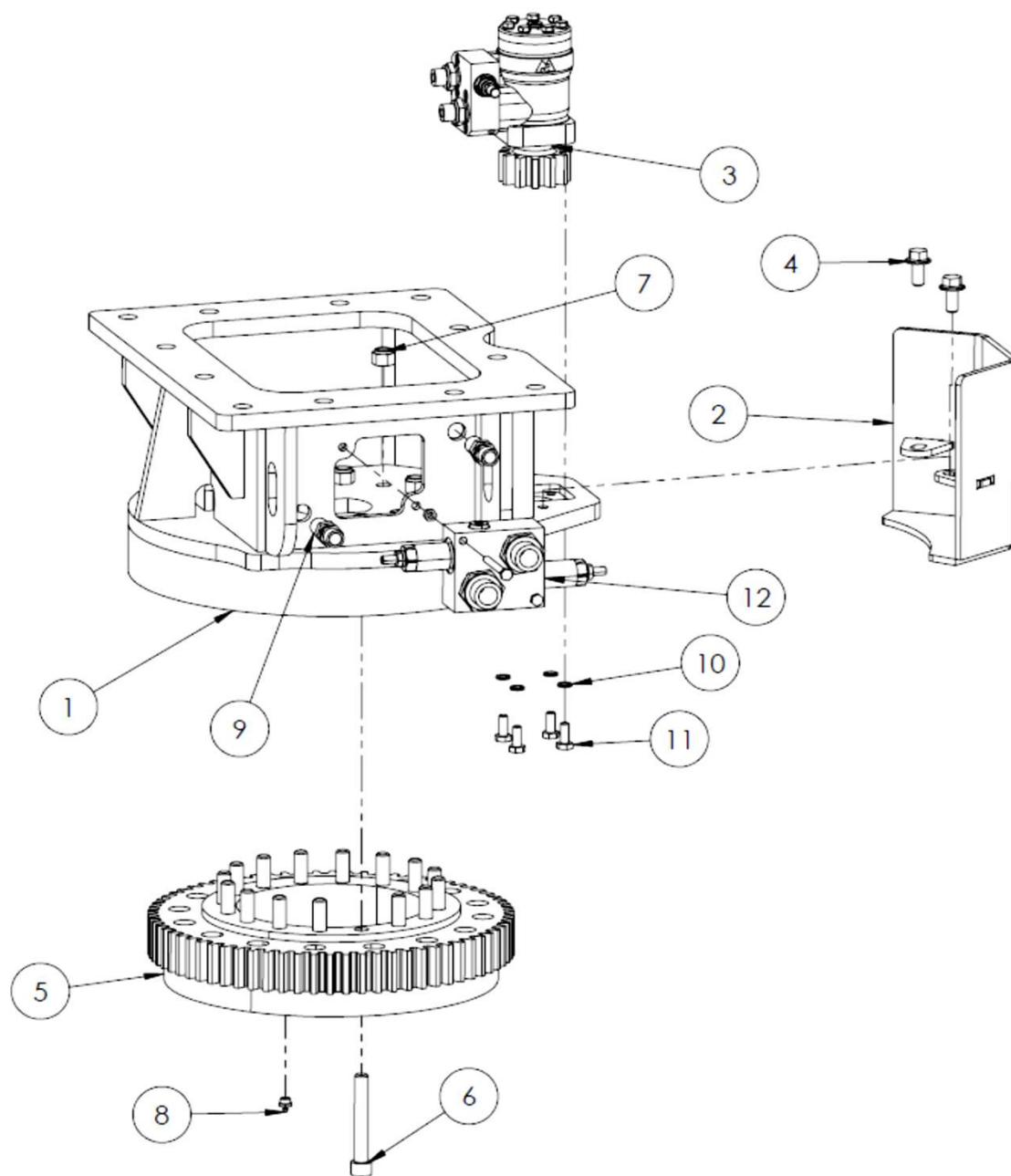
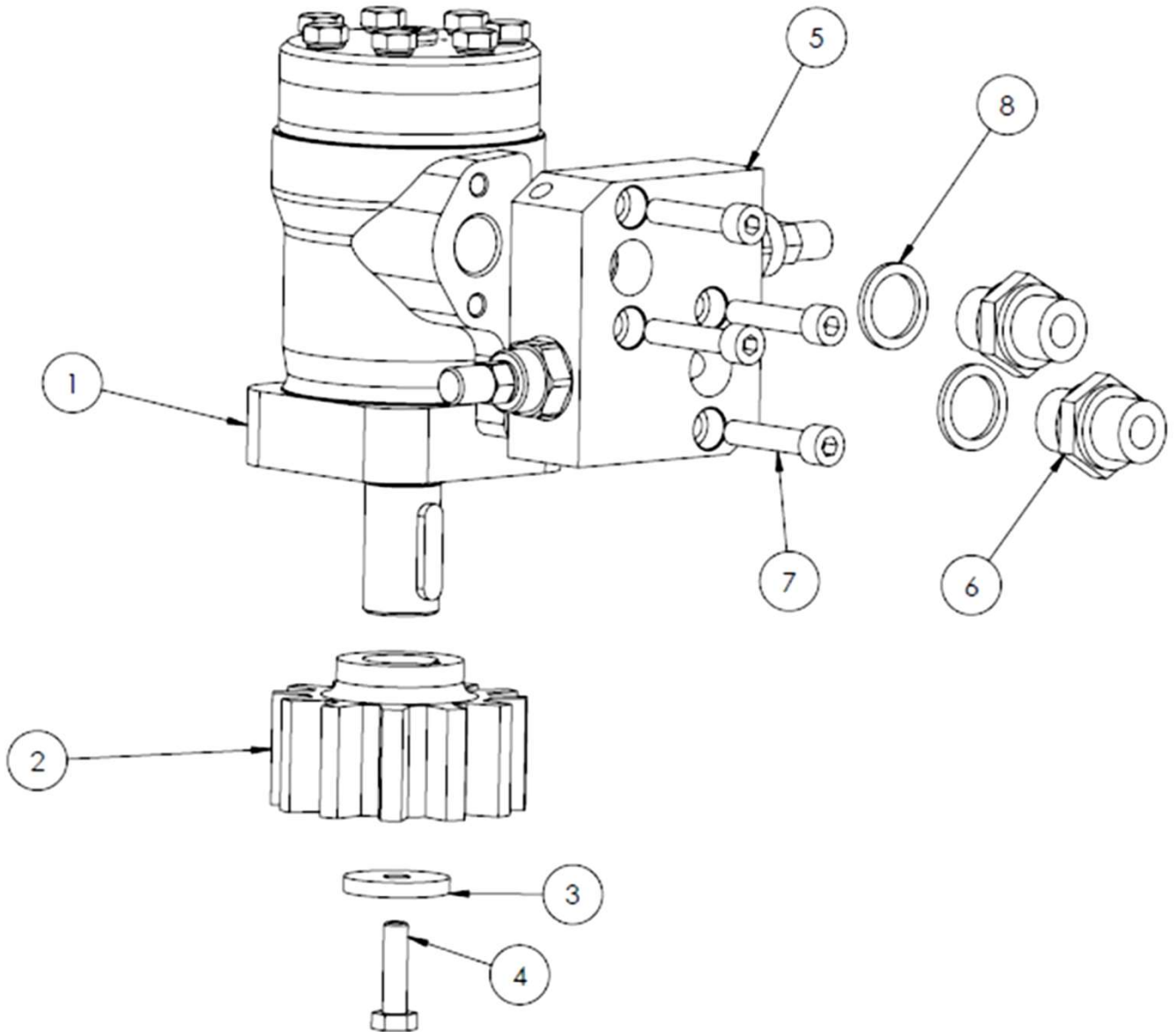


SH6 ROTATION EXPLPDED VIEW



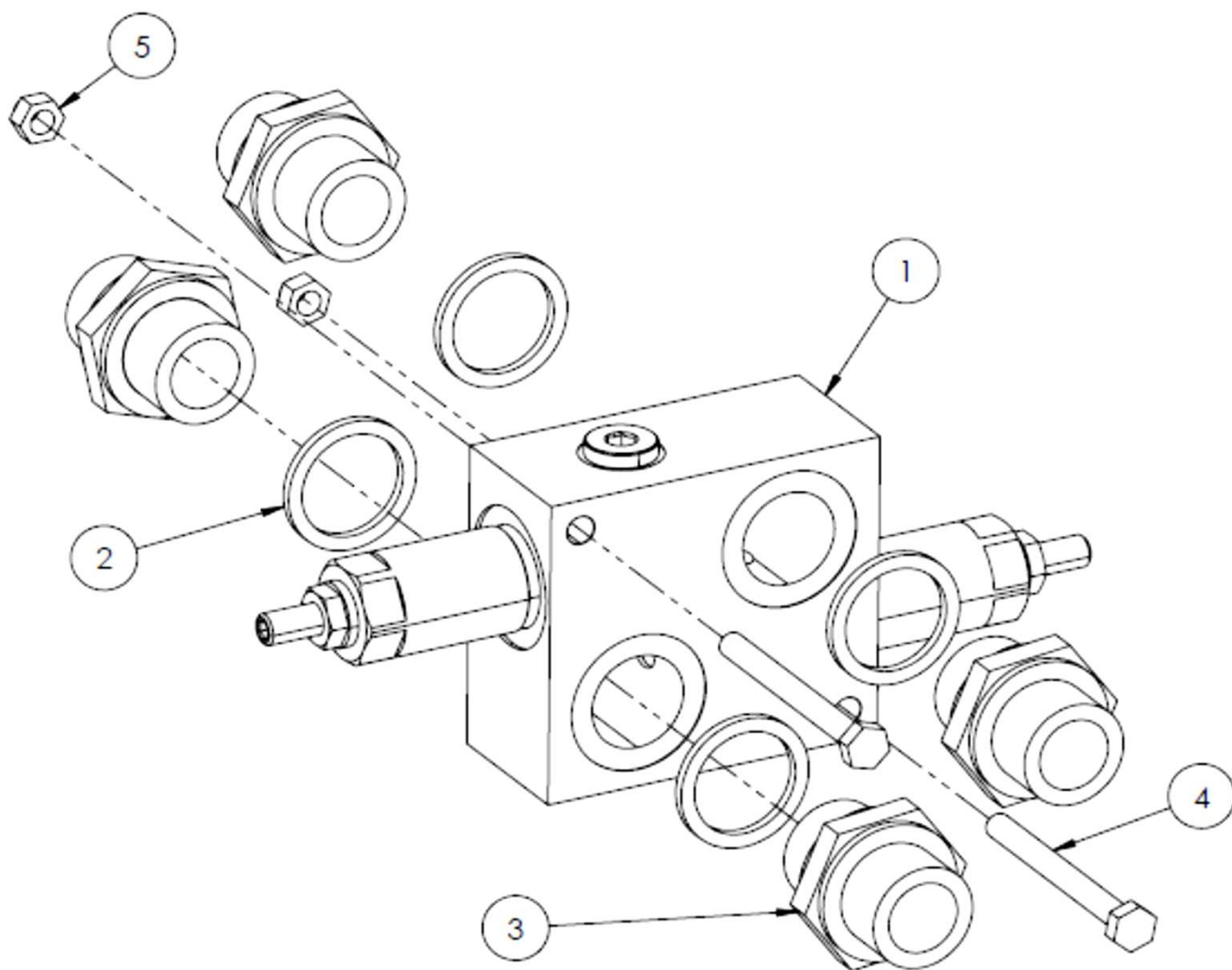
POS.	Q.TY	PART No.	DESCRIPTION
1	1	13000800	ROTATION BOX
2	1	02013500	CARTIER
3	1	01001100	ENGINE
4	2	04019500	TEF M14X30
5	1	27000400	BEARING
6	16	04001700	TCEI M16X110
7	16	07000800	LOCKNUT M16
8	2	25000200	GREASE FITTING
9	2	03002500	BULKHEAD FITTING 1/2"
10	4	05000900	NORD-LOCK M10
11	4	04010500	TE M10X25
12	1	29002800	OVERCENTER VALVE

SH6 MOTOR EXPLODED VIEW



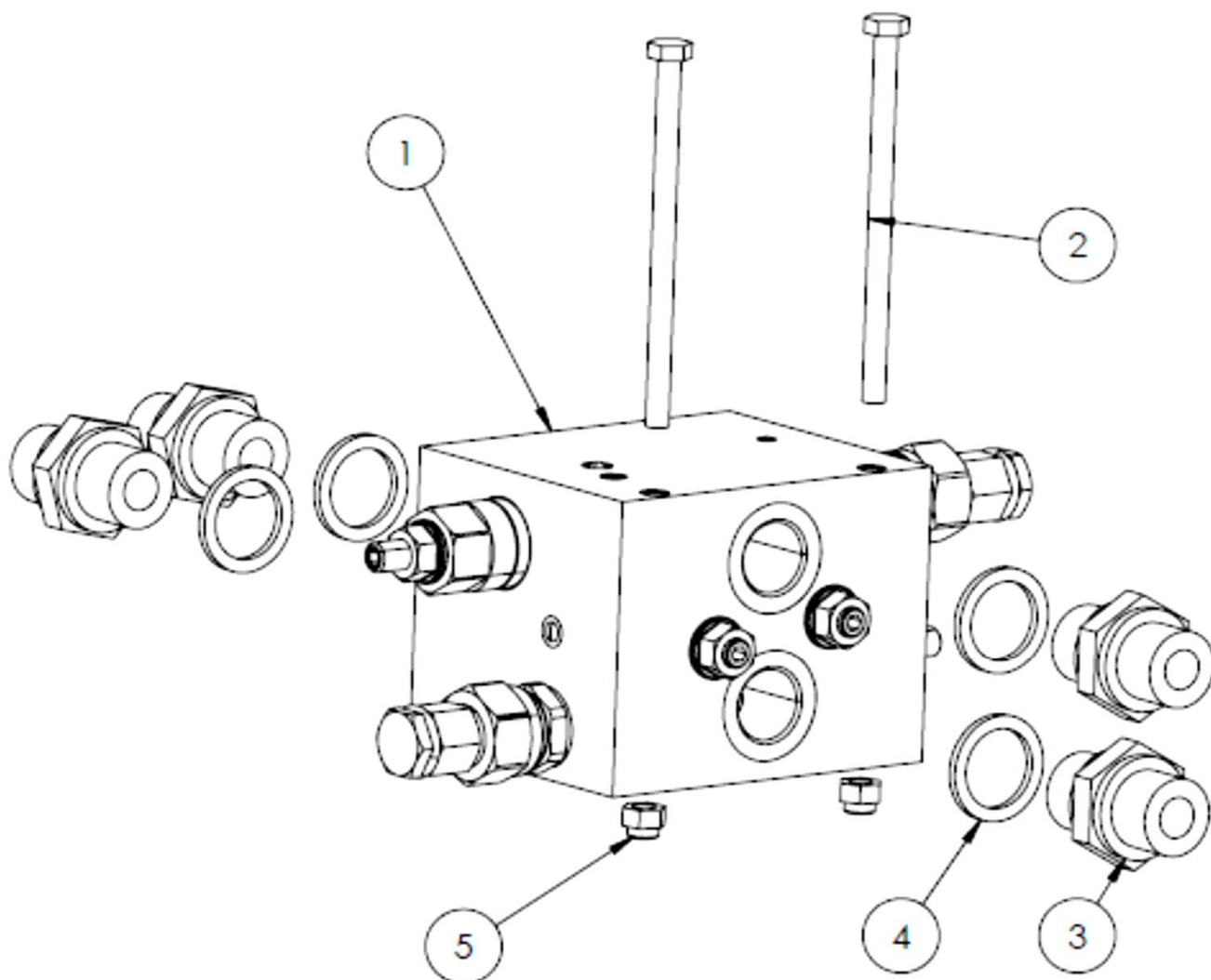
POS.	Q.TY	PART No.	DESCRIPTION
1	1	01002400	ENGINE 3.0
2	1	01001300	SPROCKET
3	1	05006100	SPROCKET WASHER
4	1	04022100	NIPLES 1/2"-1/2"
5	1	01001400	NORD-LOCK M12
6	2	03000500	TCEI M12X80
7	4	04009900	MOTOR BUSHING
8	2	05000600	BONDED SEAL 1/2"
-	1	14003400	SEALS KIT

SH6 VALVE EXPLODED VIEW 1



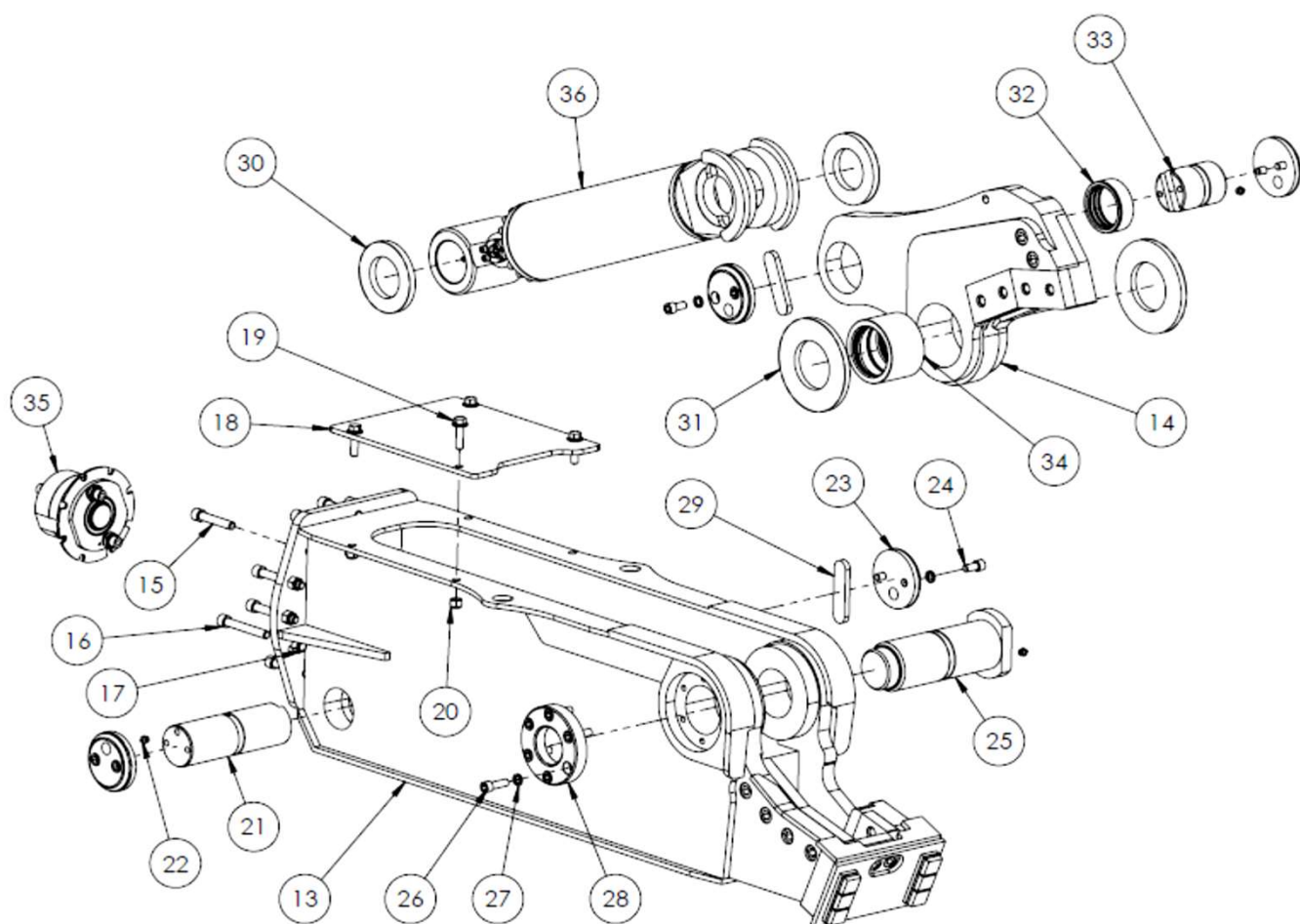
POS.	Q,TY	PART No.	DESCRIPTION
1	1	29000100	PRESSURE RELEIF VALVE
2	4	05000800	BONDED SEAL 1"
3	4	03000700	NIPLES 1" - 1"
4	2	04002100	TE M8X80
5	2	07000400	LOCKNUT M8

SH6 VALVE EXPLODED VIEW 2



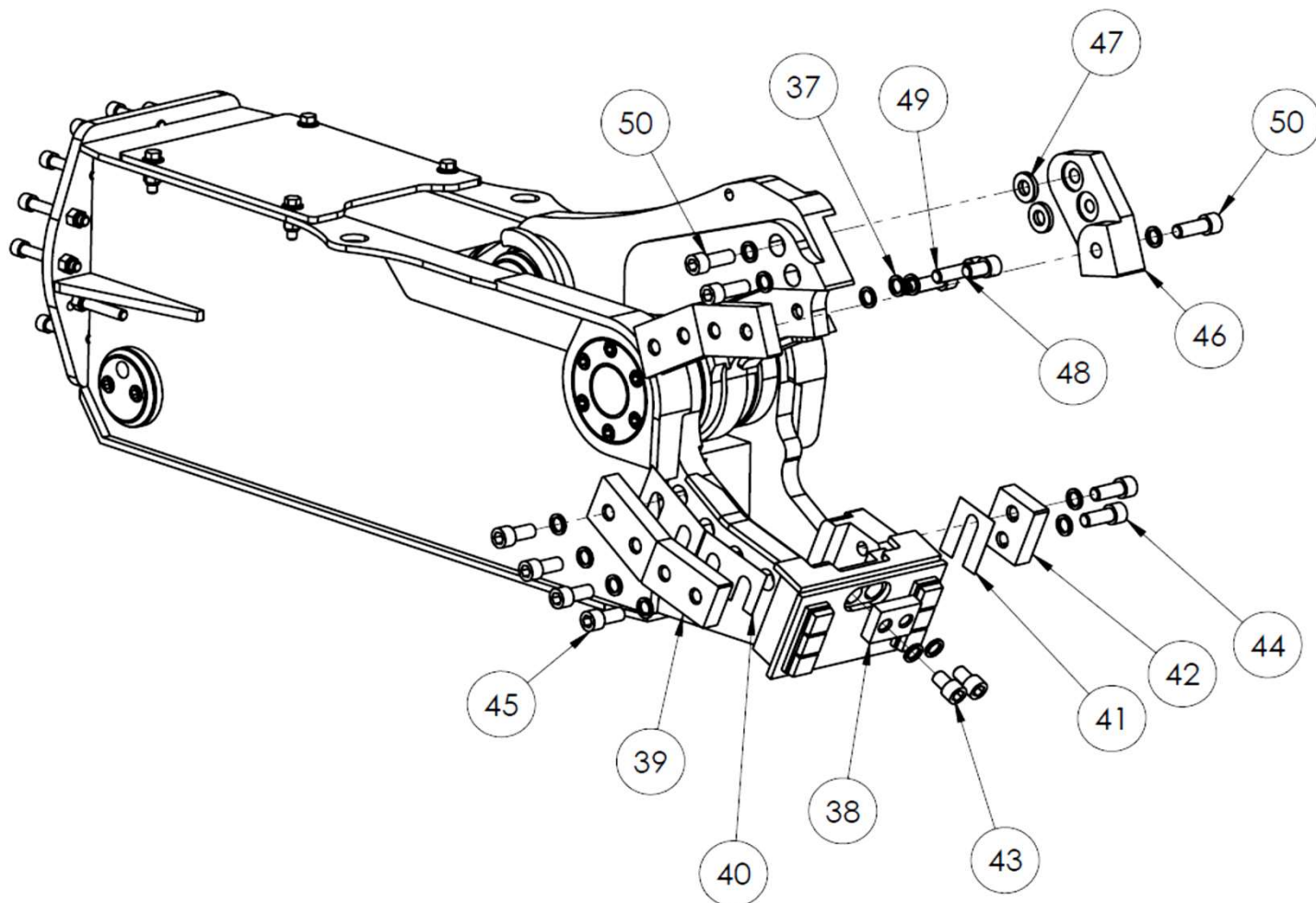
POS.	Q,TY	PART No.	DESCRIPTION
1	1	29001701	ROTATION CONTROL VALVE
2	2	04020300	TE M6X100
3	4	03000500	NIPLES 1/2"-1/2"
4	4	05000600	BONDED SEAL 1/2"
5	2	07002100	LOCKNUT M6

SH6 BODY EXPLODED VIEW (1/2)



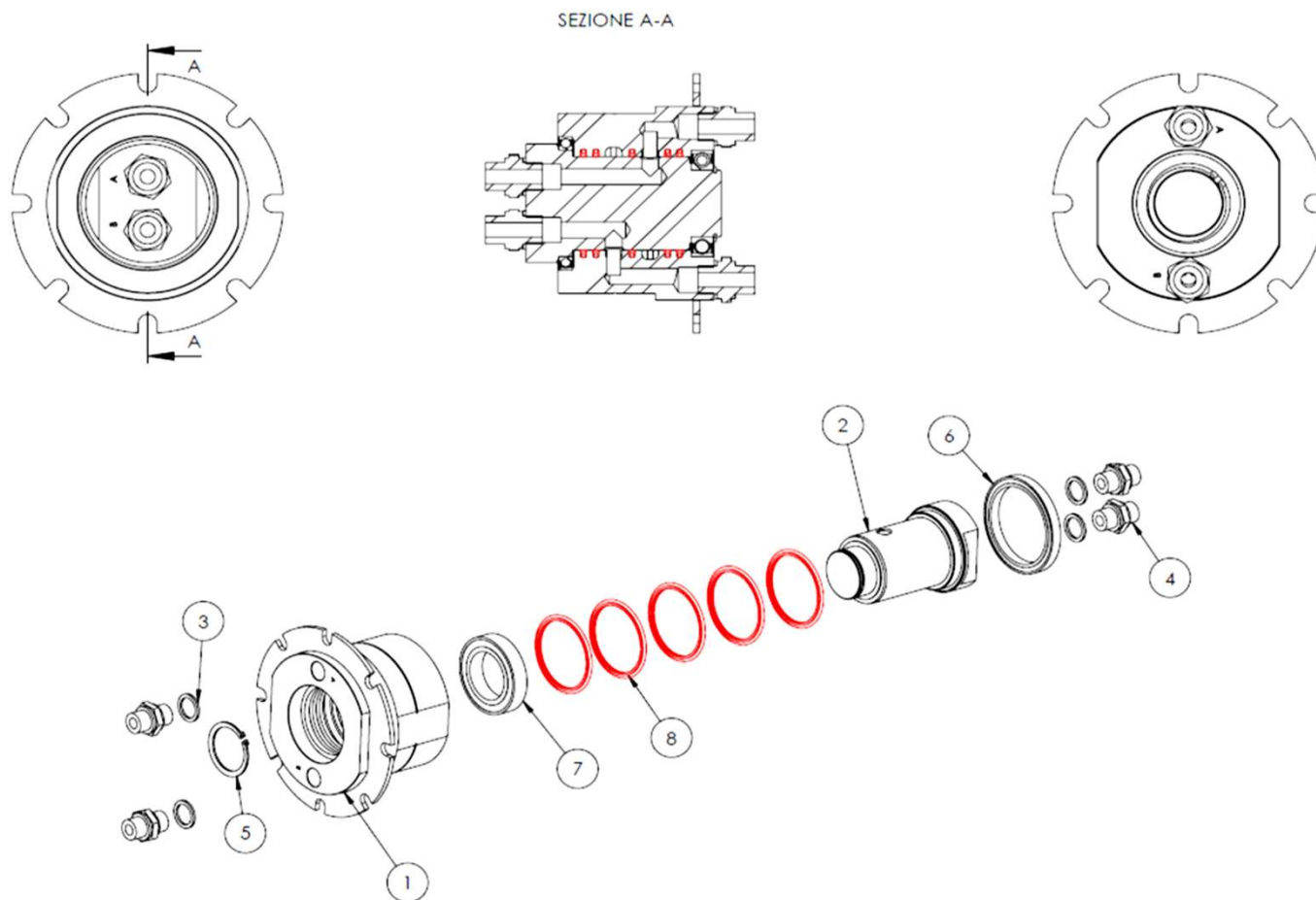
POS.	Q,TY	PART No.	DESCRIPTION
13	1	24001200	BODY
14	1	23000500	JAW
15	10	04001900	TCEI M16X90
16	6	04009800	TCEI M16X115
17	6	07000800	LOCKNUT M16
18	1	02017400	CARTER
19	4	04022000	TEF M14X50
20	4	07000700	LOCKNUT M14
21	1	16011800	PIN
22	3	25000200	GREASE FITTING
23	4	18000800	FLANGIA/FLANGE
24	8	04001200	TCEI M14X30
25	1	16011900	PIN
26	6	04001500	TCEI M14X45
27	14	05001100	NORD-LOCK M14
28	1	18000600	FLANGE
29	2	15000300	TAB
30	2	35002300	SPACER
31	2	35002500	SPACER
32	1	17007000	BUSH
33	1	16008800	PIN
34	1	17000700	BUSH
35	1	12000600	JOINT 1/2"
36	1	19002900	CYLINDER

SH6 BODY EXPLODED VIEW (2/2)



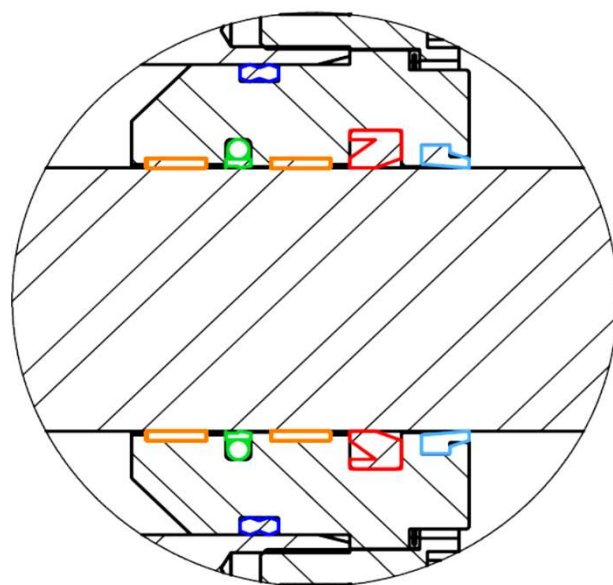
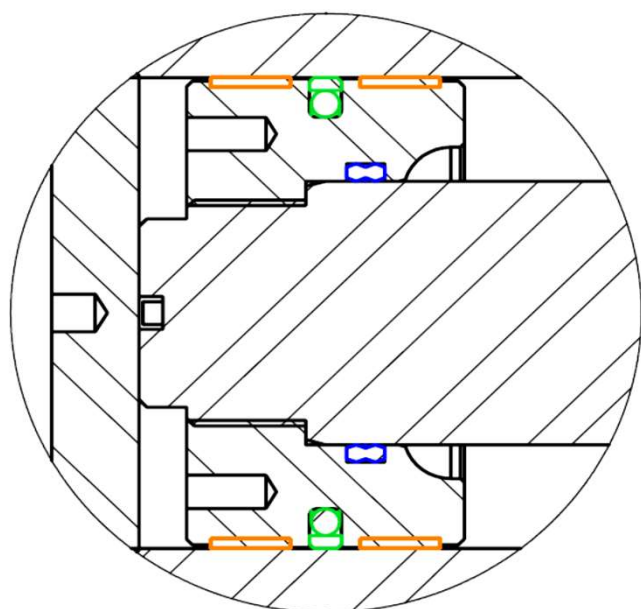
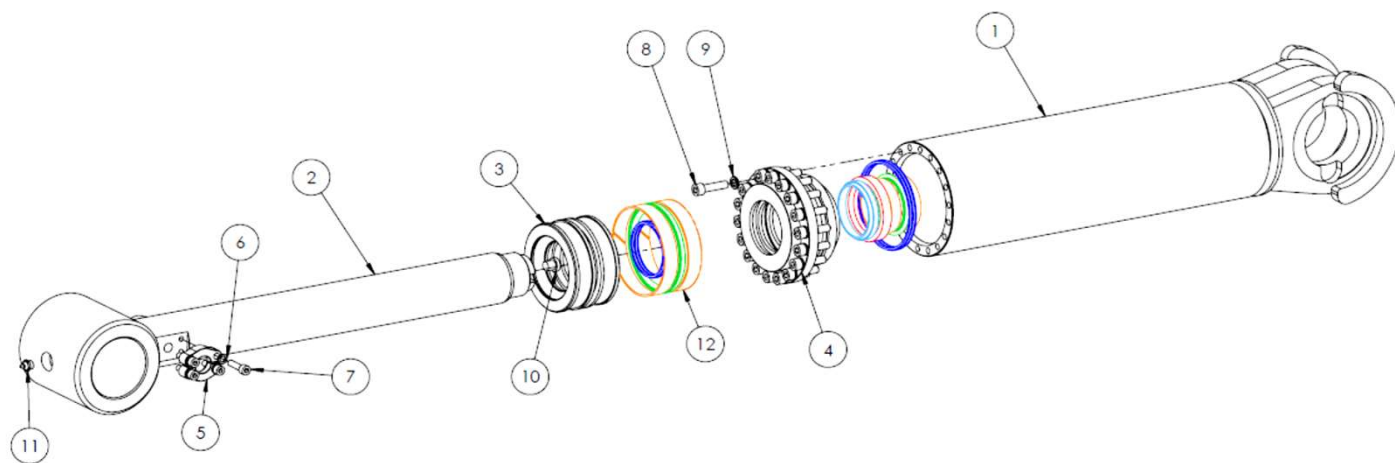
POS.	Q,TY	PART No.	DESCRIPTION
37	14	05001400	NORD-LOCK M20
38	1	21006800	FRONT BLADE
39	4	21006600	BLADE
40	2	21006600_D_0.5	SH6 SPESSORE LAMA
41	1	21006700_D_0.5	SH6 SPESSORE LAMA CORTA
42	1	21006700	GUIDE BLADE
43	2	04000700	TCEI M20X30
44	2	04000200	TCEI M20X50
45	4	04004800	TCEI M20X45
46	1	22000400	TIP
47	2	05004000	WASHER
48	1	04004700	TCEI M20X35
49	2	04008600	TCEI M20X65
50	3	04004900	TCEI M20X55

SH6 JOINT EXPLODED VIEW



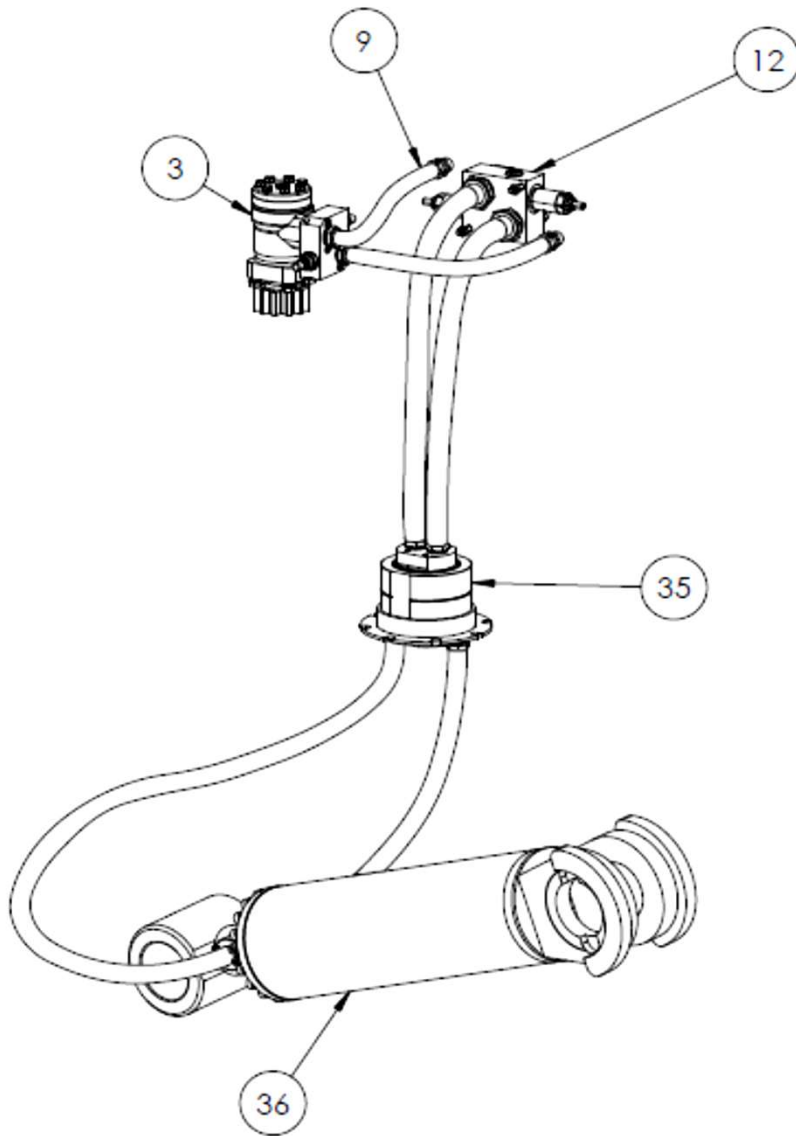
POS.	Q,TY	PART No.	DESCRIPTION
1	1	12001100	STATOR
2	1	12001000	ROTOR
3	4	05000600	BONDED SEAL 1/2"
4	4	03000500	NIPLES 1/2"-1/2"
5	1	51000300	SEEGER
6	1	11000100	BEARING
7	1	11000300	BEARING
8	1	14001000	SEAL KIT

SH6 CYLINDER EXPLODED VIEW

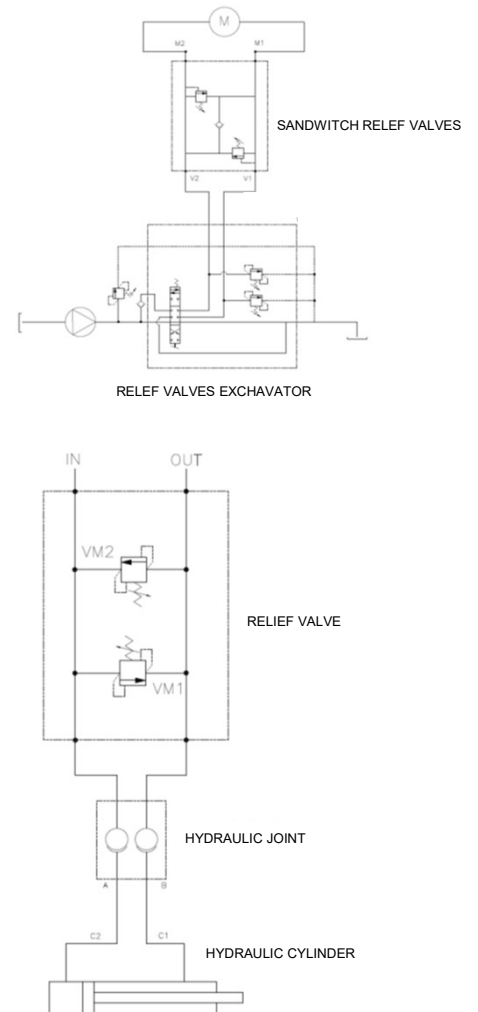


POS.	Q,TY	PART No.	DESCRIPTION
1	1	37000701	CYLINDER LINER
2	1	36000300	CYLINDER ROD
3	1	38000300	PISTON CYLINDER
4	1	39000300	CYLINDER HEAD
5	2	03001000	SEMIFLANGIA SAE 6000 1/2"
6	8	05002100	NORD-LOCK M8
7	8	04005100	TCEI M8X30
8	18	04019700	TCEI M10X40
9	18	05000900	NORD-LOCK M10
10	1	06001300	PLUG 1/4
11	1	25000200	GREASE FITTING
12	1	14000101	SEALS CYLINDER KIT

SH6 HYDRAULIC EXPLODED VIEW



HYDAULIC ROTATION SYSTEM



POS.	Q,TY	PART No.	DESCRIPTION
3	1	01001100	COMPLETE ENGINE
9	2	03002500	BULKHEAD FITTING 1/2"
12	1	29002800	OVERCENTER VALVE
35	1	12000600	JOINT 1/2"
36	1	19002100	CYLINDER