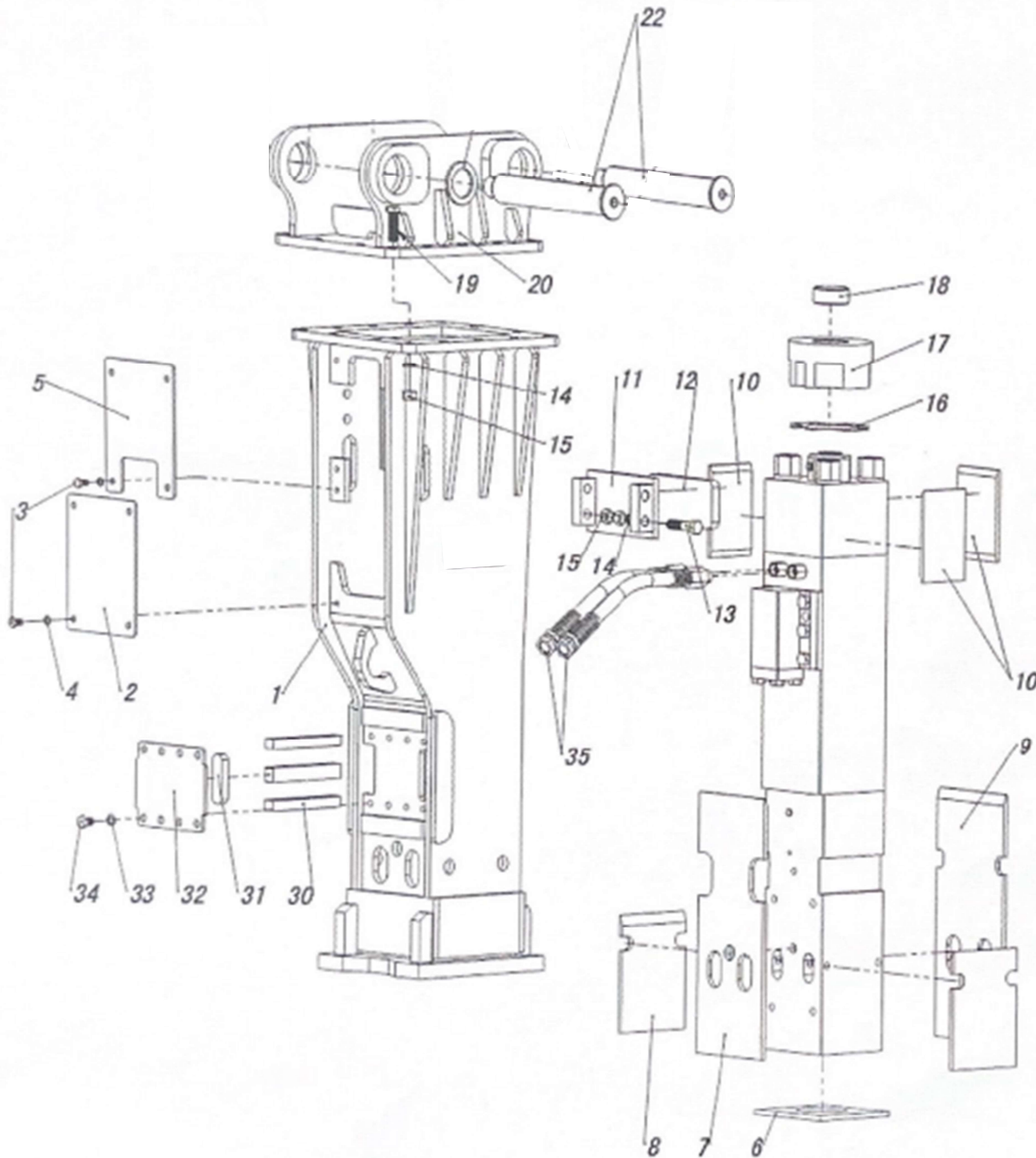


TNB-151LU BOX BRACKET



Parts

41581329A					
Sym	Part Code	Description	Q'ty	Int	Kit
1	BKT-151-ST-W / O TC	BOX BRACKET	1		
2	151002	CONTROL VALVE PLATE	1		B
3	BLT-M16-35	H.T BOLT [M16x35]	8		B
4	WASHER-M16	SPRING WASHER [M16]	8		B
5	151005	GAS VALVE COVER PLATE	1		B
6	151006	UNDER SPACER	1		B
7	151007	CHISEL HOLDER SPACER	1		B
8	151008-2	SIDE SPACER	2		B
9	151009-2	BACK SPACER	1		B
10	151010	SMALL SPACER	3		B
11	151011	GUIDE PLATE	1		B
12	151012-2	GUIDE SPACER	1		B
13	BLT-M24-110	H.T BOLT [M24x110]	4		B
14	WASHER M24	SPRING WASHER [M24]	16		B
15	NUT-M24-CLASS 10	H.T NUT [M24]	22		B
16	151016	ADJUST MAT	1		B
17	151017	ISOLATOR TOP COVER	1		B
18	151018	NYLON POLE	1		B
19	BLT-M24-80	H.T BOLT [M24x80]	14		B
20	PER MACHINE MODEL	TOP CAP	1		
21	N / A	GREASE NIPPLE	2		B
22	PER MACHINE MODEL	BRACKET PIN KIT	1		T
30	151030	ASSEMBLED LOCALIZER	2 SET		B
31	151031	RUBBER PLATE	2		B
32	151032	COVER PLATE	1		B
33	WASHER-M20	SPRING WASHER [M20]	8		B
34	BLT-M20-30	H.T BOLT [M20x30]	8		B
35	SGH-2109	HOSE	2		B

Box Bracket CP consists of parts marked "B"

Top Cap consists of parts marked "T"

For Decal and/or Tool Box information, please contact your Dealer

INT(interchangeability)

○ Interchangeable old ↔ new

△ Interchangeable old → new

▲ Interchangeable old ← new

× Not interchangeable