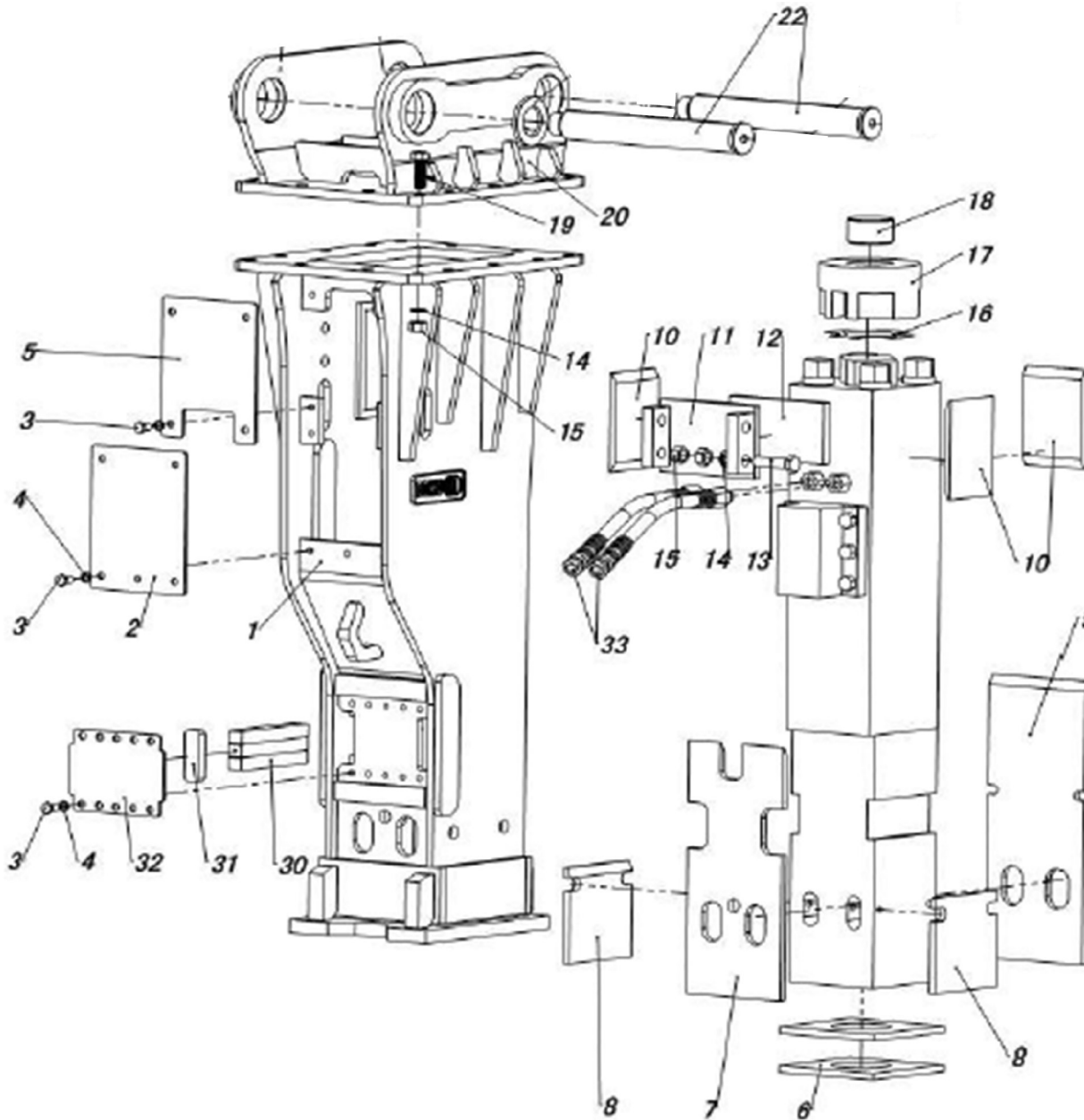


TNB-230LU BOX BRACKET



Parts

41581329A

Sym	Part Code	Description	Qty	Int	Kit
1	BKT-230-ST W/O TC	BOX BRACKET	1		
2	230002	CONTROL VALVE PLATE	1		B
3	BLT-M20-30	H.T BOLT [M20x30]	19		B
4	WASHER-M20	SPRING WASHER [M20]	19		B
5	230005	GAS VALVE COVER PLATE	1		B
6	230006	UNDER SPACER	2		B
7	230007	CHISEL HOLDER SPACER	1		B
8	230008	SIDE SPACER	2		B
9	230009	BACK SPACER	1		B
10	230010	SMALL SPACER	3		B
11	230011	GUIDE PLATE	1		B
12	230012	GUIDE SPACER	1		B
13	BLT-M30-120	H.T BOLT [M30x120]	4		B
14	WASHER-M30	SPRING WASHER [M30]	18		B
15	NUT-M30-HT	H.T NUT [M30]	20		B
16	230016	ADJUST MAT	1		
17	230017	ISOLATOR TOP COVER	1		B
18	230018	NYLON POLE	1		B
19	BLT-M30-90	H.T BOLT [M30x90]	14		B
20	PER MACHINE MODEL	TOP CAP	1		B
21	N/A	GREASE NIPPLE	2		B
22	PER MACHINE MODEL	BRACKET PIN KIT	2		T
30	230030	ASSEMBLED LOCALIZER	2 SET		B
31	230031	RUBBER PLATE	2		B
32	230032	COVER PLATE	1		B
33	SGH-2109 or SGH-2111	HOSE	2		B

Box Bracket CP consists of parts marked "B"

Top Cap consists of parts marked "T"

For Decal and/or Tool Box information, please contact your Dealer

INT(interchangeability)

○ Interchangeable old ↔ new

△ Interchangeable old → new

▲ Interchangeable old ← new

× Not interchangeable