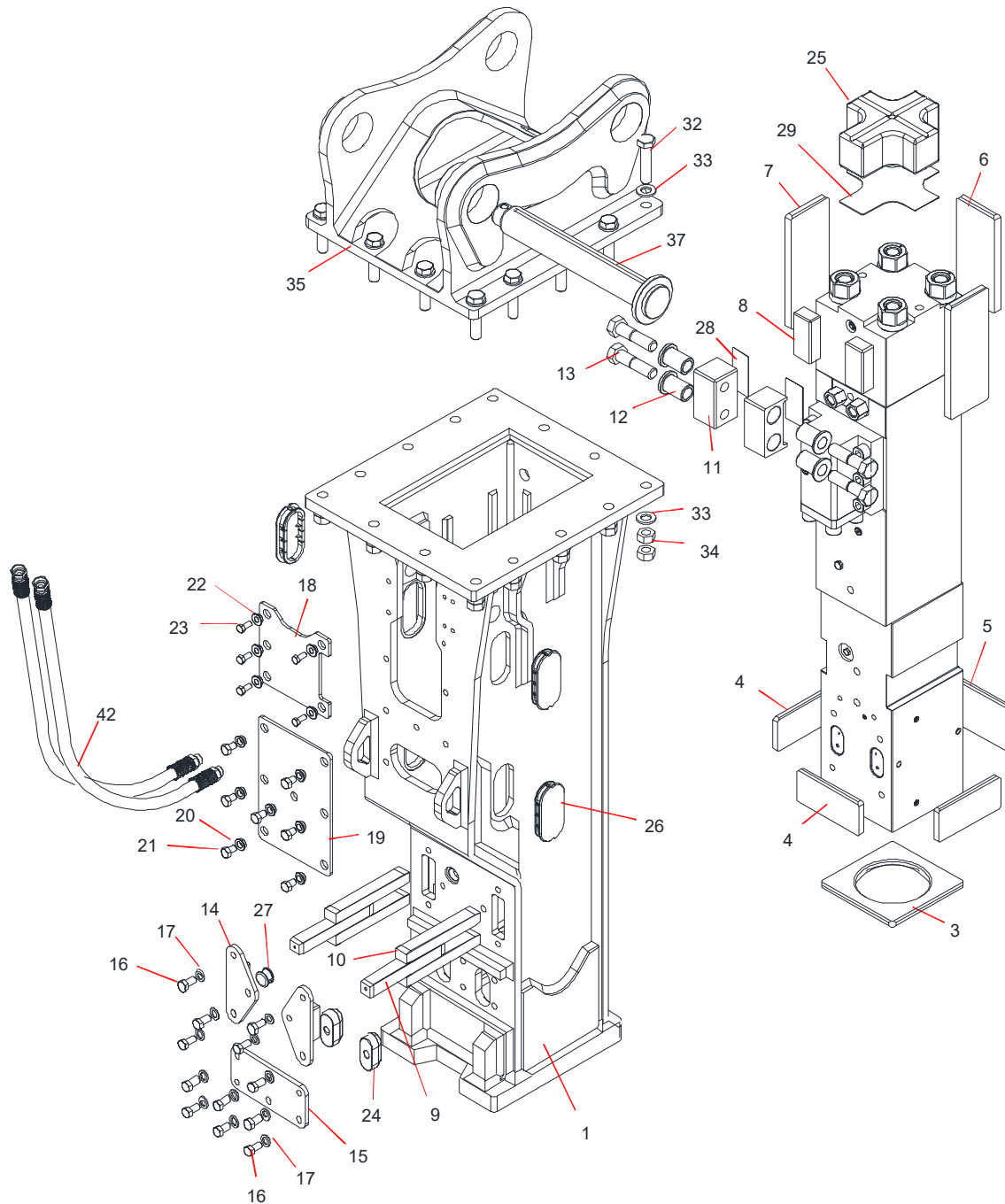


TNB-30K BOX BRACKET



Parts

2023.06.26

No.2

Sym	Part Code	Description	Q'ty	Int	Kit
1	BKT-30K	TOP MOUNT BOX BRACKET A	1		B
3	30K003	SPACER UD	1		B
4	30K004	SPACER H	3		B
5	30K005	SPACER HR	1		B
6	30K006	ISOLATOR TR	1		B
7	30K007	SPACER TS	2		B
8	30K008	ISOLATOR TF	2		B
9	30K009	KEY LR	2		B
10	30K009	ISOLATOR KLR	4		B
11	30K011	GUIDE PLATE	2		B
12	30K012	GUIDE BUSH	4		B
13	BLT-M36-140	BOLT	4		B
14	30K014	KEY COVER	2		B
15	30K015	COVER R	1		B
16	BLT-M20-40	BOLT	12		B
17	WASHER-M20	WASHER	12		B
18	30K018	COVER A	1		B
19	30K019	COVER B	1		B
20	415810340	SLEEVE WASHER	7		B
21	BLT-M20-40	BOLT	7		B
22	415800640	SLEEVE WASHER	5		B
23	BLT-M16-35	BOLT	5		B
24	136096546	RETAINER ISOLATOR	2		B
25	30K025	ISOLATOR T	1		B
26	136096331	SIDE PLUG	4		B
27	136096066	BRACKET PLUG	1		B
28	30K028	GUIDE PLATE SHIM 1.0	(2)		
29	30K029	ISOLATOR T SHIM 2.0	(1)		
32	BLT-M30-140	BOLT	14		B
33	WASHER-M30	WASHER	28		B
34	NUT-M30-HT	NUT	28		B
35	*PER MACHINE	TOP MOUNT BOX BRACKET B	1		
37	*PER MACHINE	BRACKET PIN KIT	1		T
42	SGH-3130	HOSE	2		

Box Bracket CP consists of parts marked "B"

Top Cap consists of parts marked "T"

For Decal and/or Tool Box information, please contact your Dealer

INT(interchangeability)

○ Interchangeable old ⇌ new

△ Interchangeable old → new

▲ Interchangeable old ← new

× Not interchangeable